

1 2 3 4 5 6

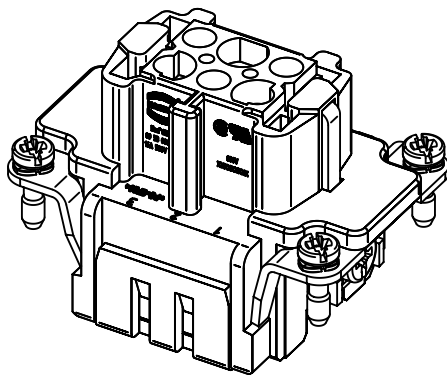
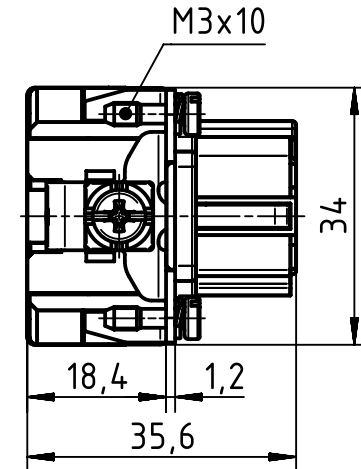
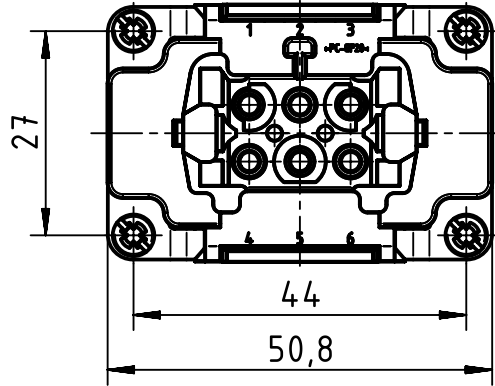
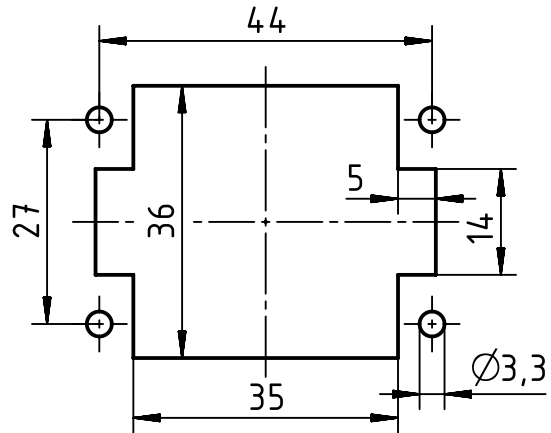
A


B

C

D

panel cut out



	All rights reserved Department EL PD - DE	Created by HELLMANN		Inspected by BERGHORN		Standardisation TIEMANNA		Date 2017-04-27		State Final Release	
		Title Han 6 ES-Female insert								Doc-Key / ECM-Nr. 100129977/UGD/005/B 500000116479	
HARTING Electric GmbH & Co. KG D-32339 Espelkamp		Type TB		Number 09 33 006 2716				Rev. B		Page 1/1	