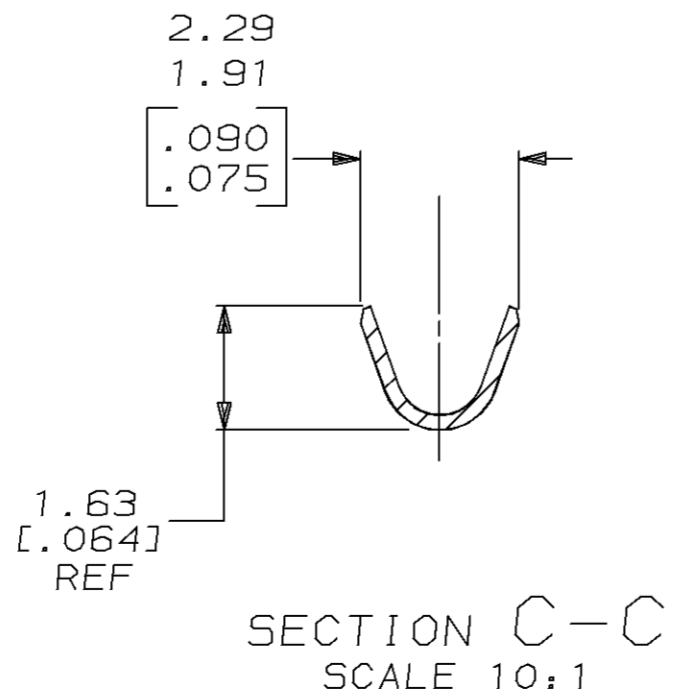
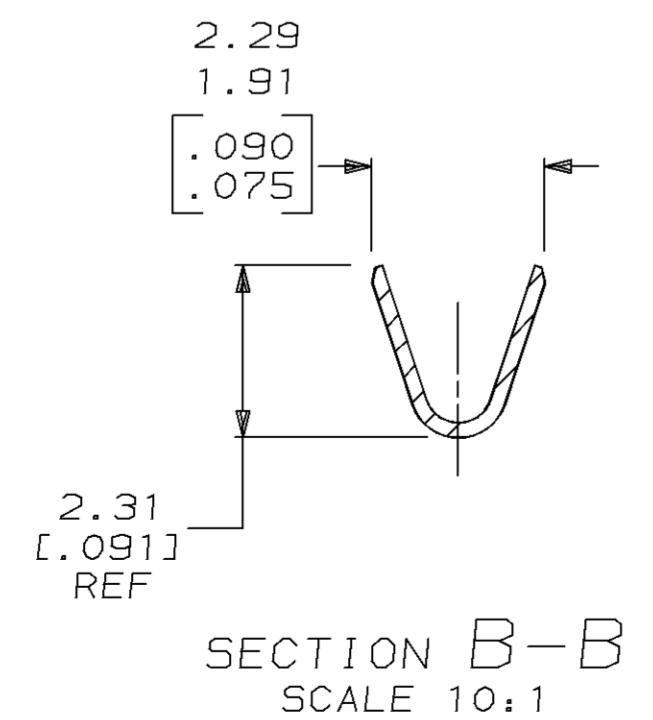
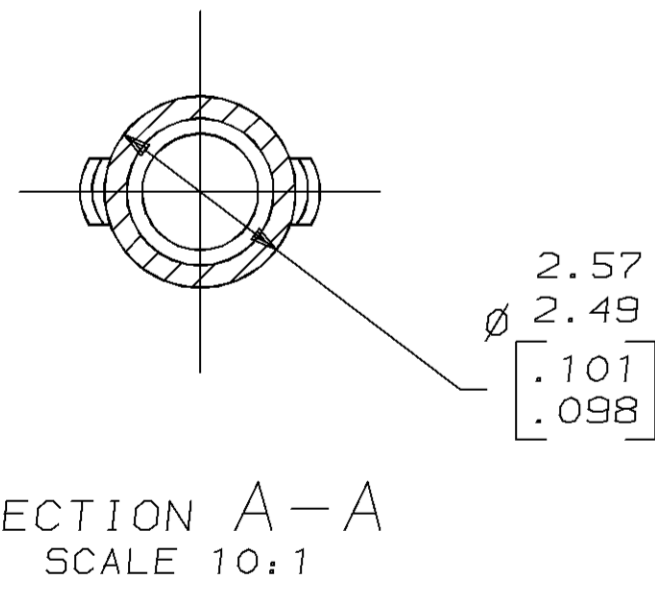
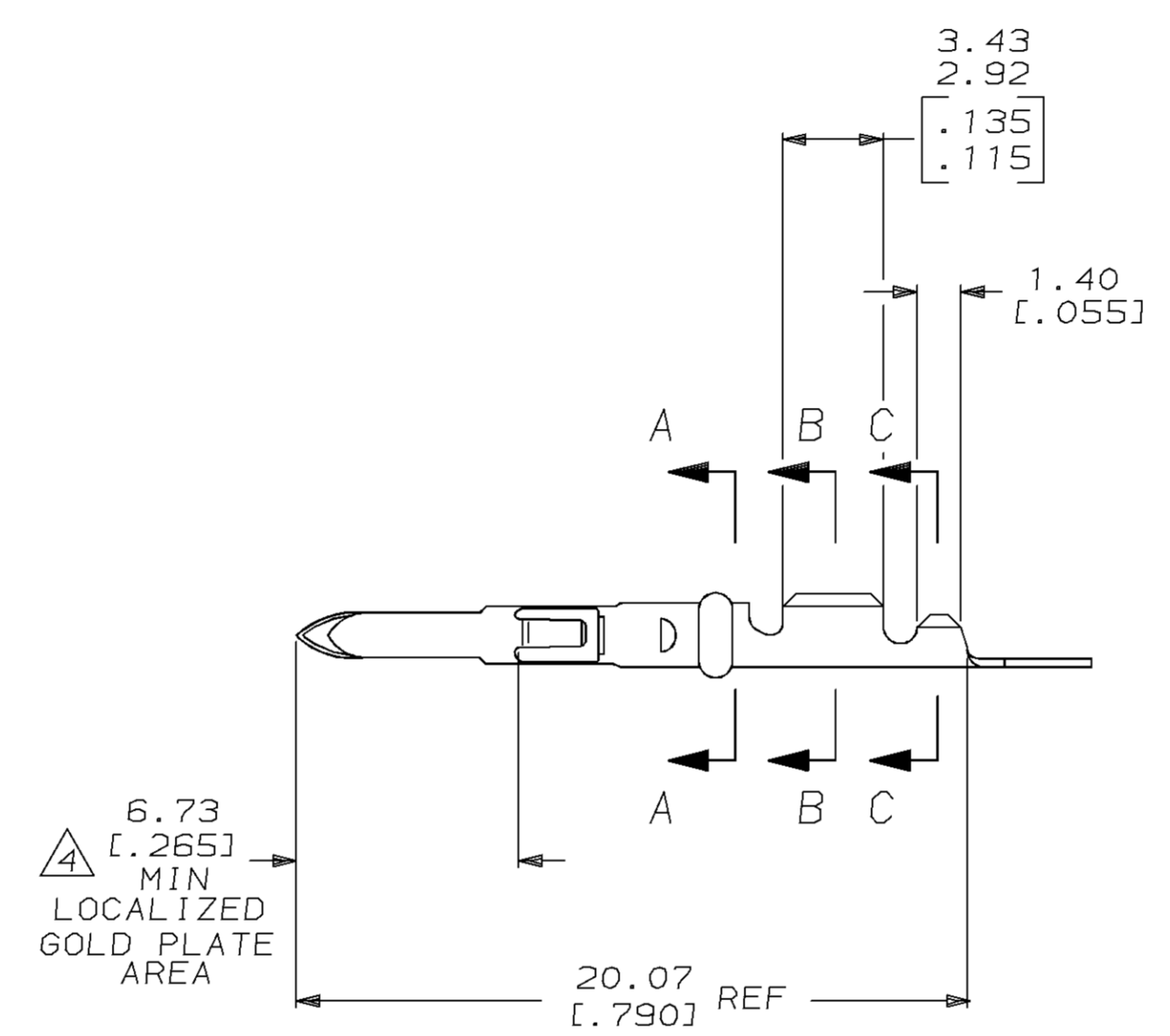
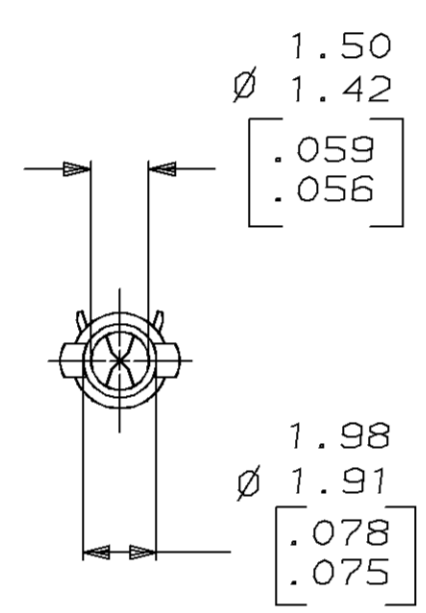
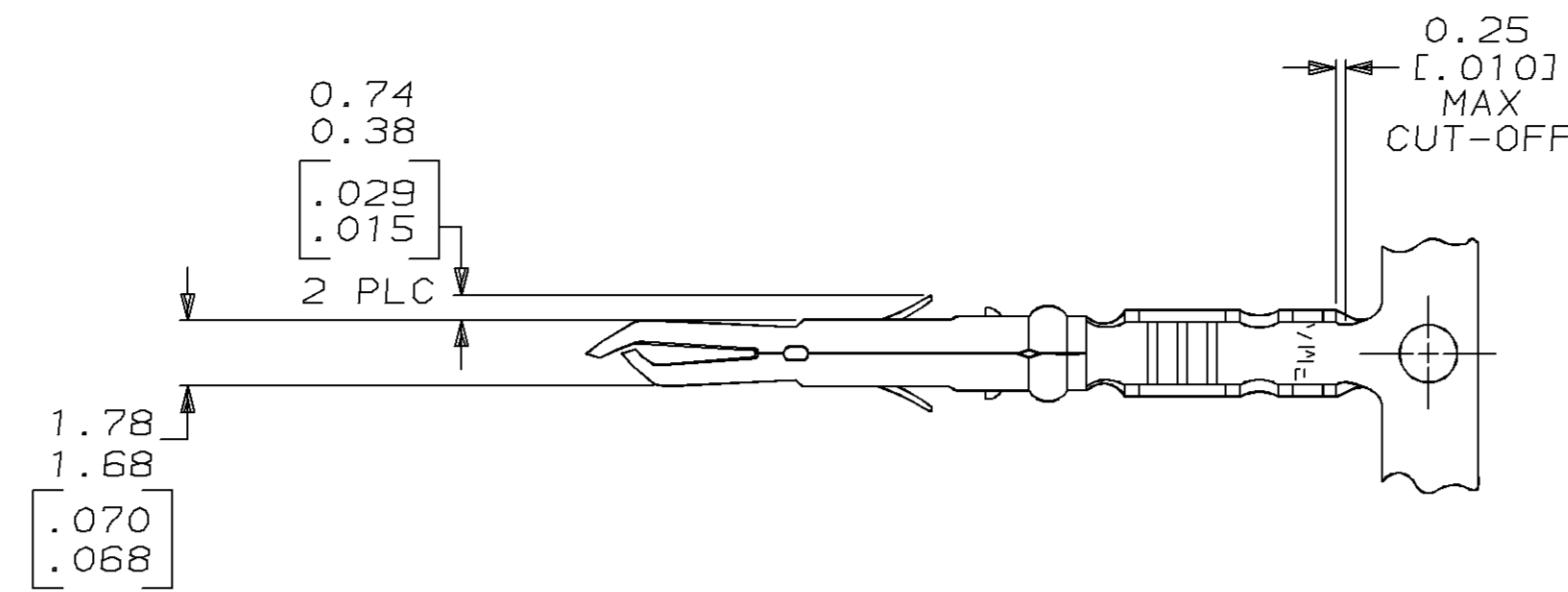


LOC		DIST		P		F		ZONE		LTR		REVISIONS			
CM	52											DESCRIPTION	DATE	APPD	
												F	REV & REDWN PER EC 0730-0059-95	3-21-95	KS RS

- 1 WIRE RANGE: 0.13-0.2mm² (26-24 AWG).
 - 2 INSULATION RANGE: 0.64-1.27 [.025-.050] MAX. DIA.
 - 3 DIMENSIONS IN BRACKETS ARE IN INCHES.
- △ TIP PLATE WITH 0.00076-0.00091 [.000030-.000036] MIN GOLD IN THE LOCALIZED GOLD PLATE AREA OVER 0.00127 [.000050] MIN NICKEL UNDERPLATE.



FINISH	MATERIAL	PART NO
△ GOLD PLATE	0.20 [.008] PHOS BRZ	350968-2
PRE-TIN	0.20 [.008] PHOS BRZ	350968-1

DO NOT SCALE PRINT. UNLESS SPECIFIED DIMENSIONS IN mm [INCHES] TOLERANCES ON:		DR 3-21-95 K. SALMON		AMP AMP Incorporated Harrisburg, PA 17105-3608 NAME MR PIN	
2 PLC DEC ± 0.13 [.005]		CHK 3-21-95 R. SWING			
ANGLES ± -		APPD 3-21-95 W. LONG			
MATERIAL		APPD 3-21-95 W. LONG			
SEE TABLE	PRODUCT SPEC	-		DRAWING NO 350968	
FINISH	APPLICATION SPEC	SIZE D	CAGE CODE 00779	SHEET 1 OF 1	
SEE TABLE	-	SCALE 5:1	-	CUSTOMER DRAWING	
WEIGHT	-				

METRIC

THIS DRAWING IS A CONTROLLED DOCUMENT FOR AMP INCORPORATED. IT IS SUBJECT TO CHANGE AND THE CONTROLLING ENGINEERING ORGANIZATION SHOULD BE CONTACTED FOR THE LATEST REVISION.

Mouser Electronics

Authorized Distributor

Click to View Pricing, Inventory, Delivery & Lifecycle Information:

[TE Connectivity:](#)

[350968-1](#) [350968-1 \(Mouser Reel\)](#) [350968-1 \(Cut Strip\)](#)