

90-340
Approximate Overall Dimensions
2 1/8" x 1 7/8" x 2 1/4"



90-340 THRU 90-342 WR/RBM TYPE 91

A Two Pole Double Throw Semi-Enclosed Relay

90-340 Fits Fan Control Centers 90-112, 90-113, 90-118E and 90-119

FEATURES

- Easy to install.
- Suited for use in vending machines, appliances, heating and air conditioning applications and general purpose switching.

SPECIFICATIONS

Temperature Range	-40°F to 130°F
Mechanical Life (no load)	1,000,000 operations, 120 operations/min.
Electrical Life (rated load)	100,000 operations, 6 operations/min.
	Load test making inrush ratings (0.4 to 0.5 P.F.); breaking 100% continuous rating (0.65 to 0.8 P.F.)
Weight (approximate)	6 oz
Agency	U.L. file number E12139 C.S.A. file number LR13360
Coils, Frequency	50/60 Hz
Coils, Insulation	Class B
Coils, Termination	1/4" Quick Connect
Coils, Operate	85% of nominal coil voltage; 110% maximum safe operate
Coils, Duty Cycle	Continuous

TWO POLE DOUBLE THROW (2PDT) Fits Fan Control Center Receptacles

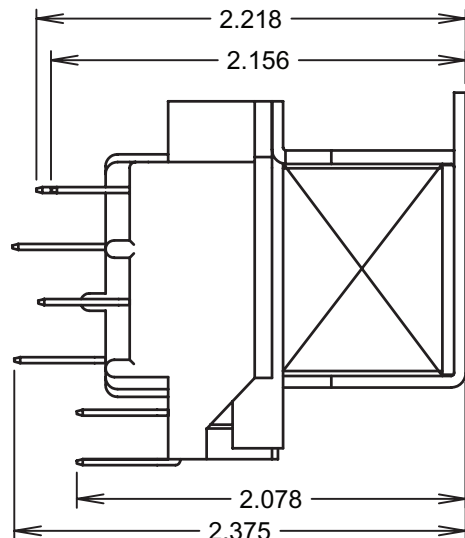
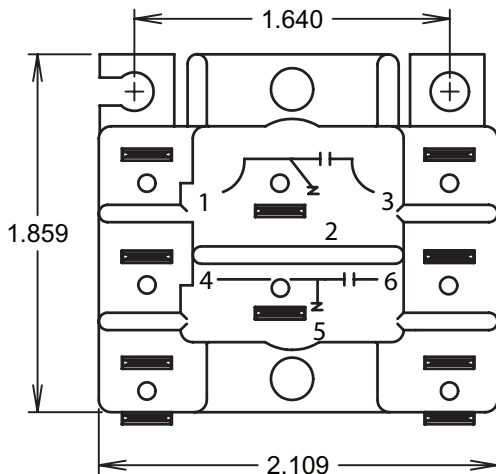
Model Number	Coil Voltage (50/60 Hz)	Terminals 1-2-3	Terminals 4-5-6	COIL DATA			
				DC Res.	MA	Nom. VA	Inrush VA
90-340	24	Power	Power	17.5	334	9.5	22
90-341	115/120	Power	Power	420	66	9.5	22
90-342	208/240	Power	Power	1600	38	9.5	22

COIL RATING

- Voltage: 24 VAC
- Cycle: 50/60 Hz
- Volt: Amps
- Inrush: 21.5
- Sealed: 9.5
- Resistance: 17.5Ω ± 10%

CONTACT RATINGS

- 12FLA/60LRA
- 125 VAC
- 6FLA 35LRA
- 250/277 VAC
- 15A 277 VAC RES
- 1/2HP 125/250 VAC



Mouser Electronics

Authorized Distributor

Click to View Pricing, Inventory, Delivery & Lifecycle Information:

[White-Rodgers:](#)

[90-341](#) [90-342](#) [90-340](#)