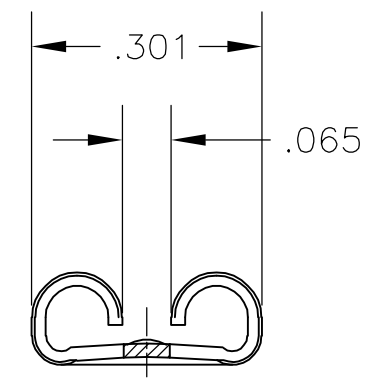
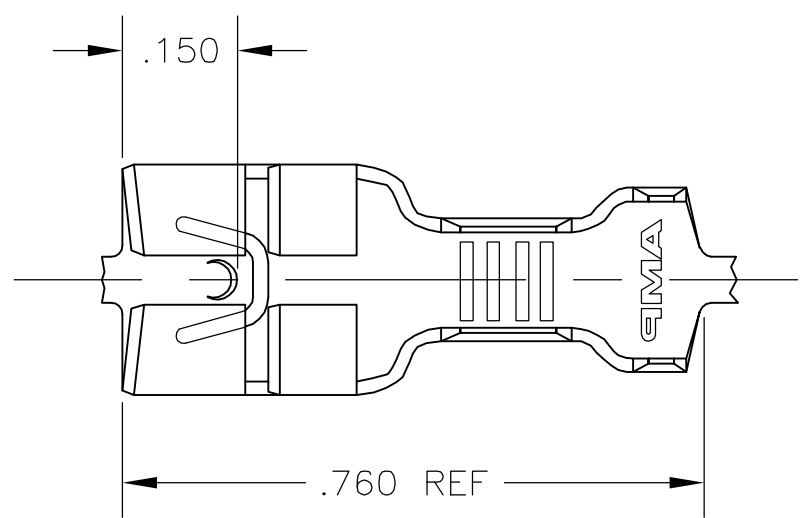


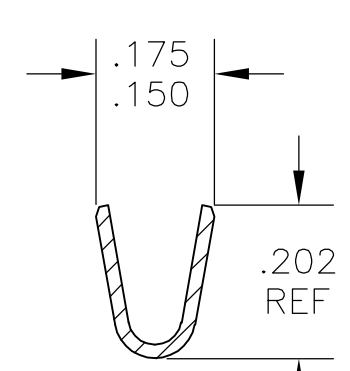
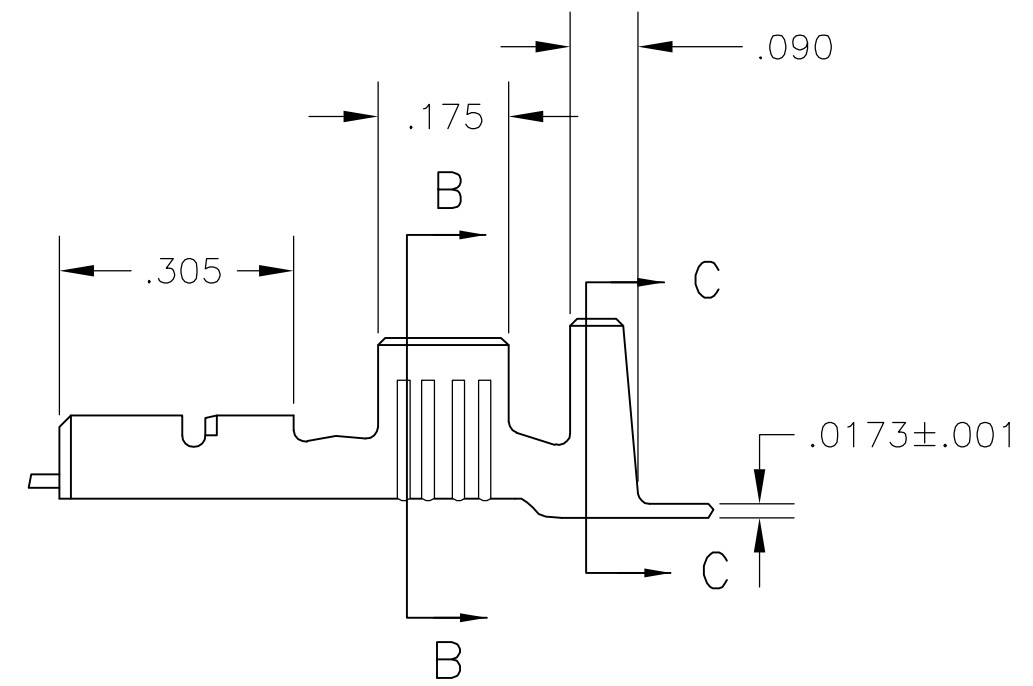
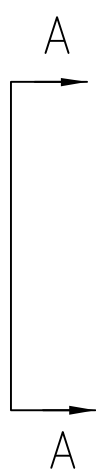
THIS DRAWING IS UNPUBLISHED. RELEASED FOR PUBLICATION  
 © COPYRIGHT BY TYCO ELECTRONICS CORPORATION. ALL RIGHTS RESERVED.

LOC	DIST	REVISIONS			
P	LTR	DESCRIPTION	DATE	DWN	APVD
AF	50	A1	REV PER ECR 06-005839	17MAR06	HMR PD

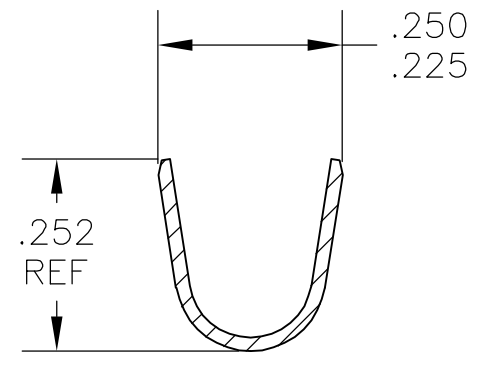
- 1 CONTINUOUS STRIP ON REELS
- 2 MATING TAB THK IS  $.036 \pm .001$
- 3 WIRE SIZE IS #14-#10 AWG
- 4 INSULATION RANGE IS  $.130-.180$  DIA



VIEW A-A



SECT B-B



SECT C-C

1742399-1  
 PART NO.

THIS DRAWING IS A CONTROLLED DOCUMENT.		DWN JR RUTH 26JAN06	Tyco Electronics Corporation Harrisburg, PA 17105-3608																
DIMENSIONS: INCHES		CHK P DESANTIS 26JAN06				NAME													
TOLERANCES UNLESS OTHERWISE SPECIFIED:		APVD P DESANTIS 26JAN06	250 SERIES FASTON RECEPTACLE																
<table border="0"> <tr><td>0 PLC</td><td>± -</td></tr> <tr><td>1 PLC</td><td>± -</td></tr> <tr><td>2 PLC</td><td>± -</td></tr> <tr><td>3 PLC</td><td>± .010</td></tr> <tr><td>4 PLC</td><td>± -</td></tr> <tr><td>ANGLES</td><td>± -</td></tr> </table>		0 PLC	± -	1 PLC	± -	2 PLC	± -	3 PLC	± .010	4 PLC	± -	ANGLES	± -	PRODUCT SPEC -	APPLICATION SPEC -	SIZE A3	CAGE CODE 00779	DRAWING NO C-1742399	RESTRICTED TO -
0 PLC	± -																		
1 PLC	± -																		
2 PLC	± -																		
3 PLC	± .010																		
4 PLC	± -																		
ANGLES	± -																		
MATERIAL T4M BRASS		FINISH .000150 MIN SILVER	WEIGHT -	CUSTOMER DRAWING		SCALE 4:1	SHEET 1 OF 1	REV A1											

# Mouser Electronics

Authorized Distributor

Click to View Pricing, Inventory, Delivery & Lifecycle Information:

[TE Connectivity:](#)

[1742399-1](#)