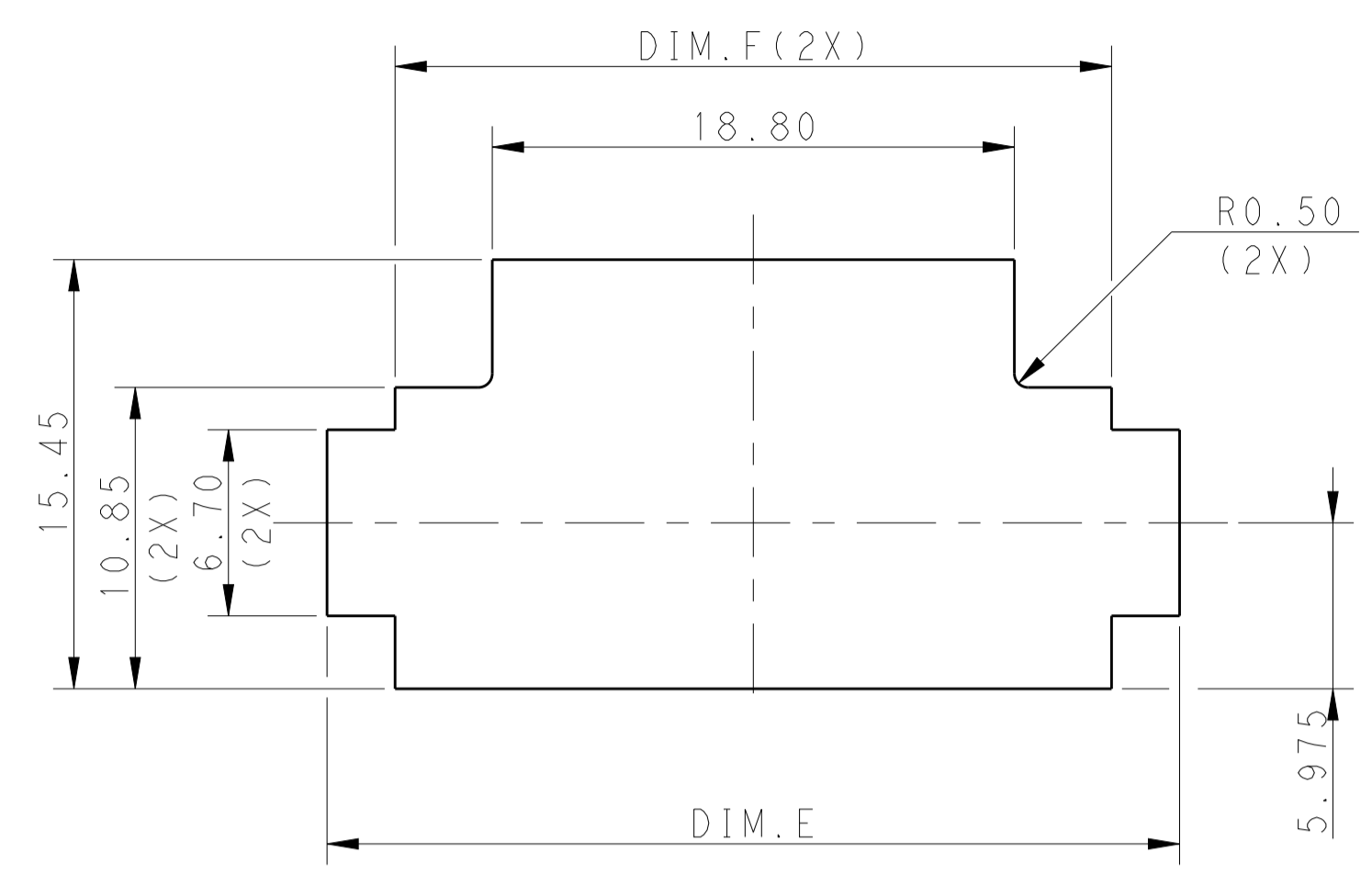
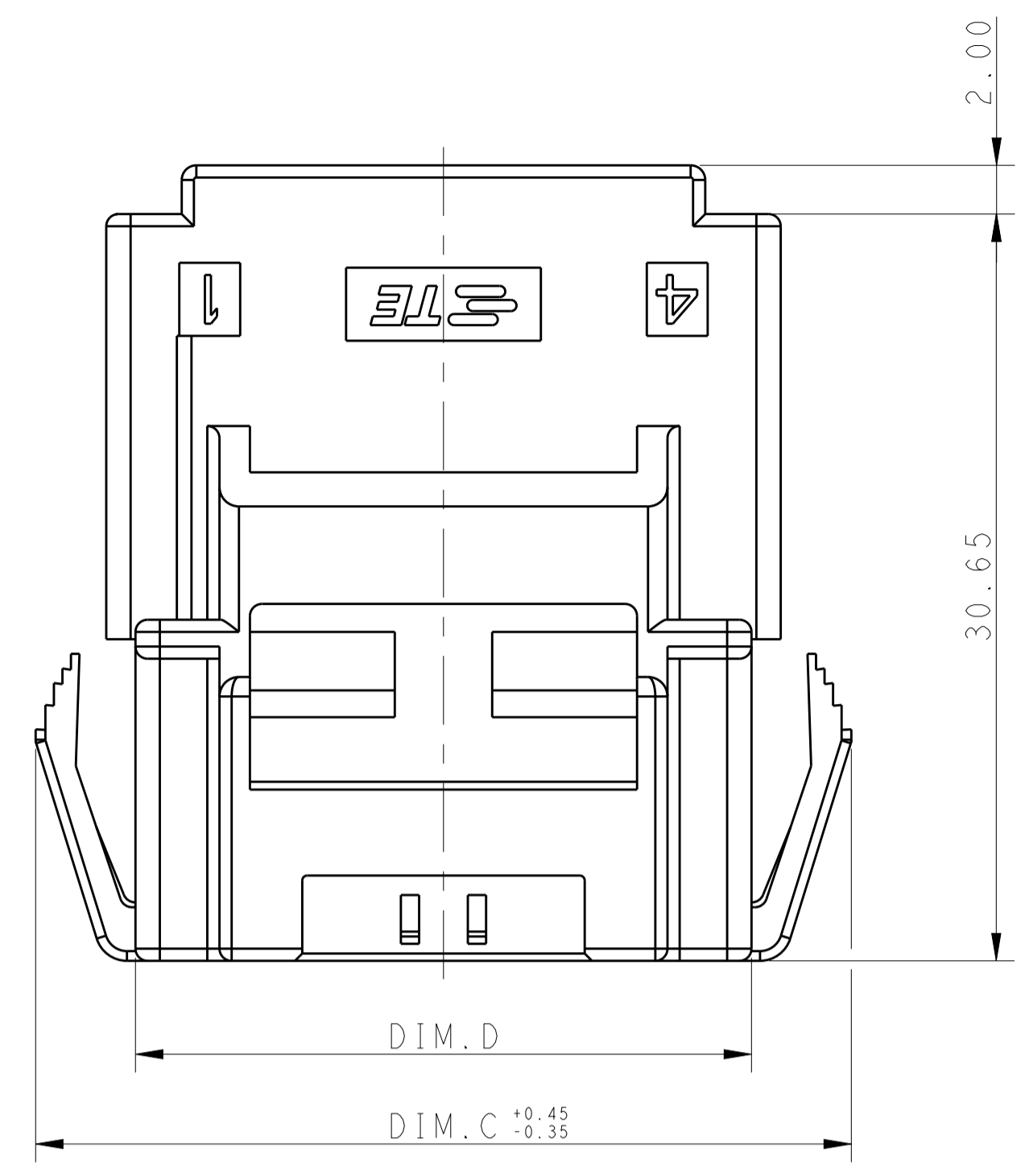


| LOC |     | DIST                      |           | REVISIONS |      |  |  |
|-----|-----|---------------------------|-----------|-----------|------|--|--|
| P   | LTN | DESCRIPTION               | DATE      | DWN       | APVD |  |  |
|     | C   | REVISED PER ECR-16-003247 | 14JUL2016 | BW        | GJ   |  |  |

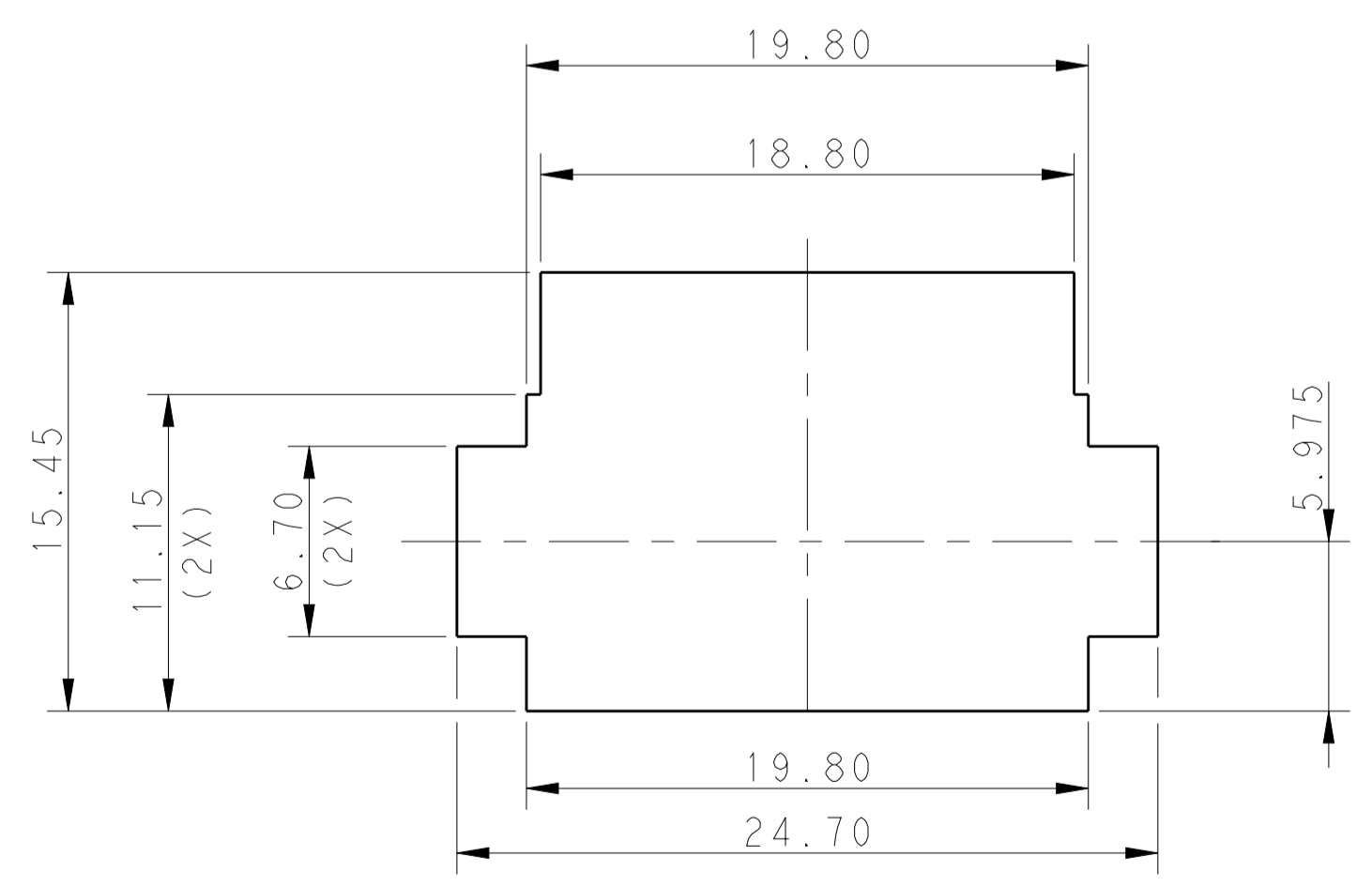
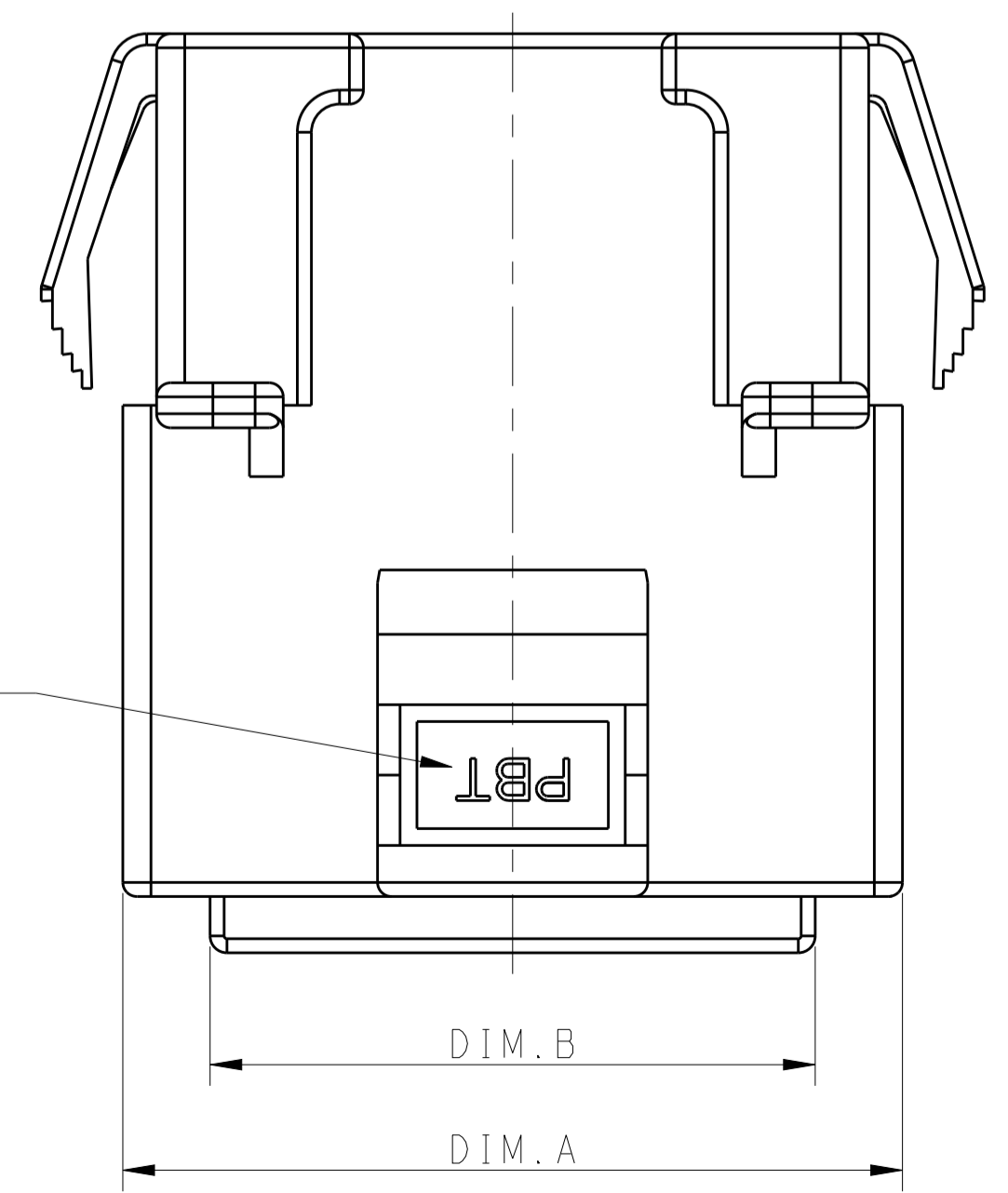
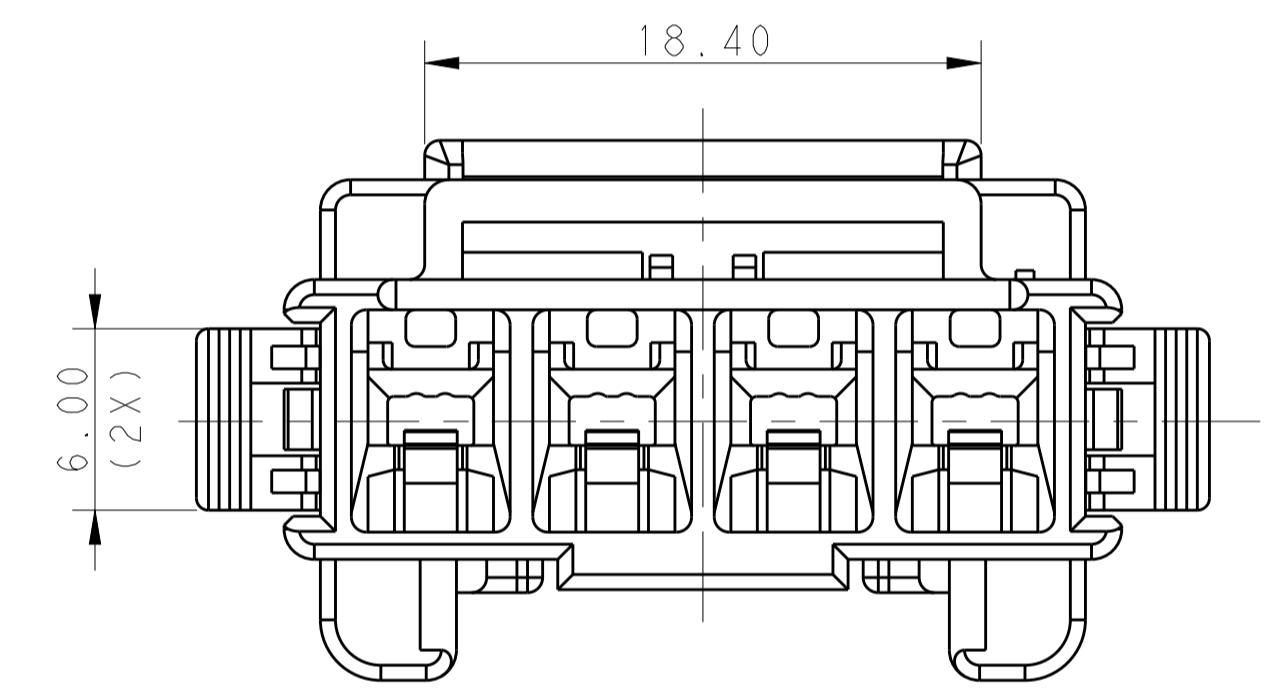
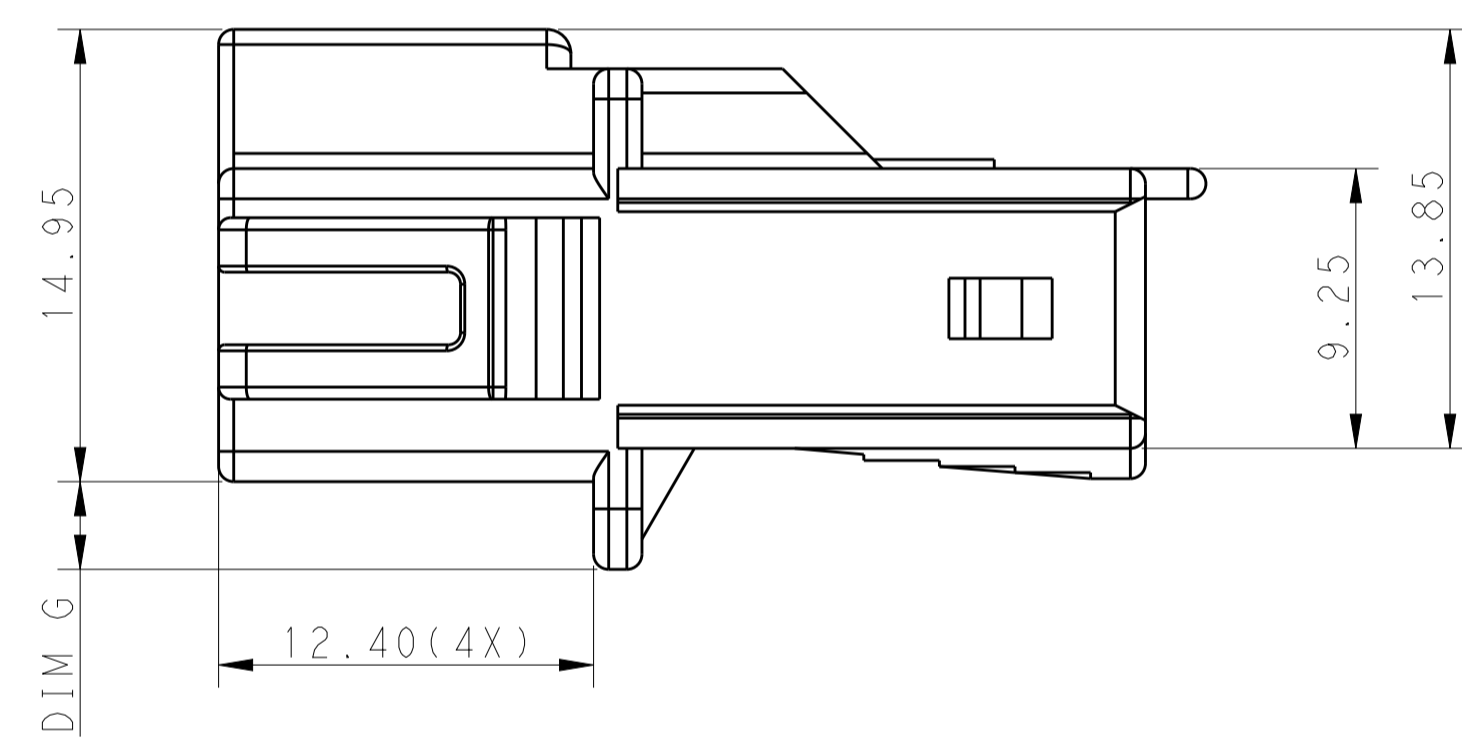
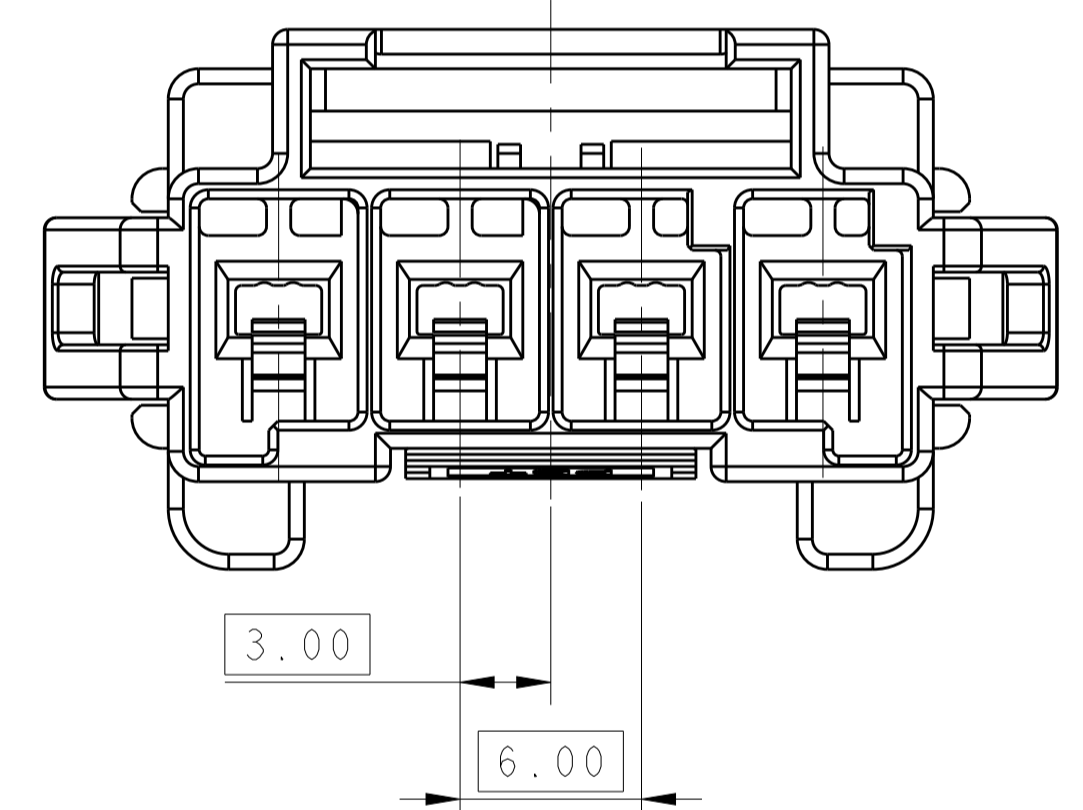


RECOMMENDED PANEL OPENING DIMENSIONS FOR CAP HOUSING 1\*5 AND 1\*4 POSITIONS (TOLERANCE: ±0.15mm)

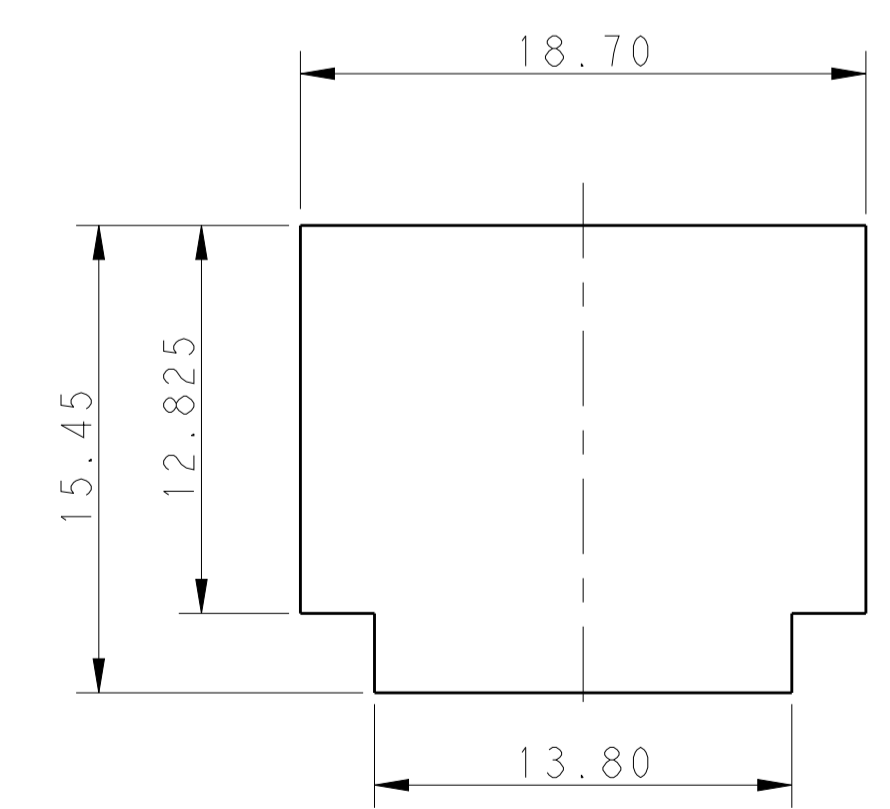
△ MATERIAL:  
 LEVEL 1:PBT, STANDARD TEMPERATURE 105°C  
 KEY A:NATURAL; KEY B:PURPLE; KEY C:BLUE; KEY D:YELLOW  
 LEVEL 2:NYLON, HIGH TEMPERATURE 150°C  
 KEY A:LIGHT GREY; KEY B:RED; KEY C:BLACK; KEY D:NATURAL

△ MATERIAL MARK:  
 LEVEL 1:PBT, LEVEL 2:HDT  
 3 APPLICABLE CONTACT P/N  
 TAB CONTACT:1971238/1971780/82/84/86/88-\*,2238067-  
 4 MATING CONN, P/N  
 PLUG HSG:\*-1971773-  
 TPA (LOCK PLATE):\*-1971777-  
 5 RECOMMENDED PANEL THICKNESS:1.0-2.0mm

6 THIS PRODUCT HAS NOT COMPLETED VALIDATION TESTING



RECOMMENDED PANEL OPENING DIMENSIONS FOR CAP HOUSING 1\*3 POSITION (TOLERANCE: ±0.15mm)



RECOMMENDED PANEL OPENING DIMENSIONS FOR CAP HOUSING 1\*2 POSITION (TOLERANCE: ±0.15mm)

| POS | A     | B     | C    | D     | E     | F     | G   |
|-----|-------|-------|------|-------|-------|-------|-----|
| 1*5 | 33.70 | 27.50 | 39.5 | 31.30 | 36.70 | 31.80 | 2.9 |
| 1*4 | 27.70 | 21.50 | 33.5 | 25.30 | 30.70 | 25.80 | 2.9 |
| 1*3 | 21.70 | 15.50 | 27.5 | 19.30 |       |       | 2.5 |
| 1*2 | 15.70 | 9.50  | 21.5 | 13.30 |       |       | 1.1 |

THIS DRAWING IS A CONTROLLED DOCUMENT.

DIMENSIONS: mm

TOLERANCES UNLESS OTHERWISE SPECIFIED:

|        |       |
|--------|-------|
| 0 PLC  | ±     |
| 1 PLC  | ±0.35 |
| 2 PLC  | ±0.25 |
| 3 PLC  | ±     |
| 4 PLC  | ±     |
| ANGLES | ±     |

MATERIAL: PBT

FINISH: -

Customer Drawing

DWN: TOMMY WU 06JUL2012  
 CHK: HAPYE WU 06JUL2012  
 APVD: YUHONG MAO 06JUL2012

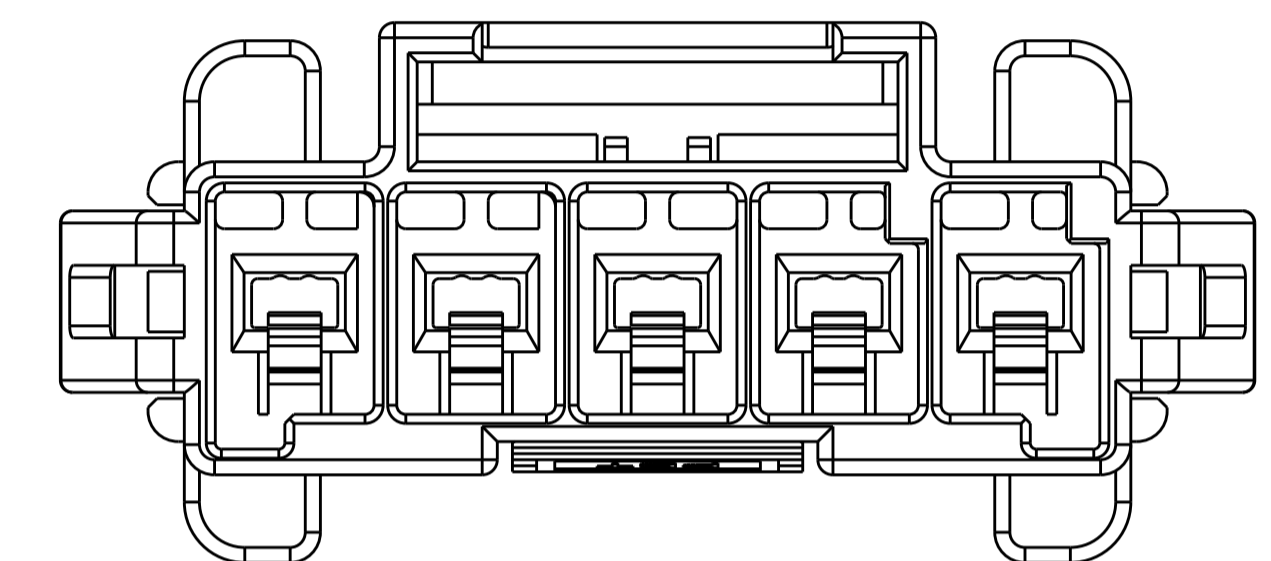
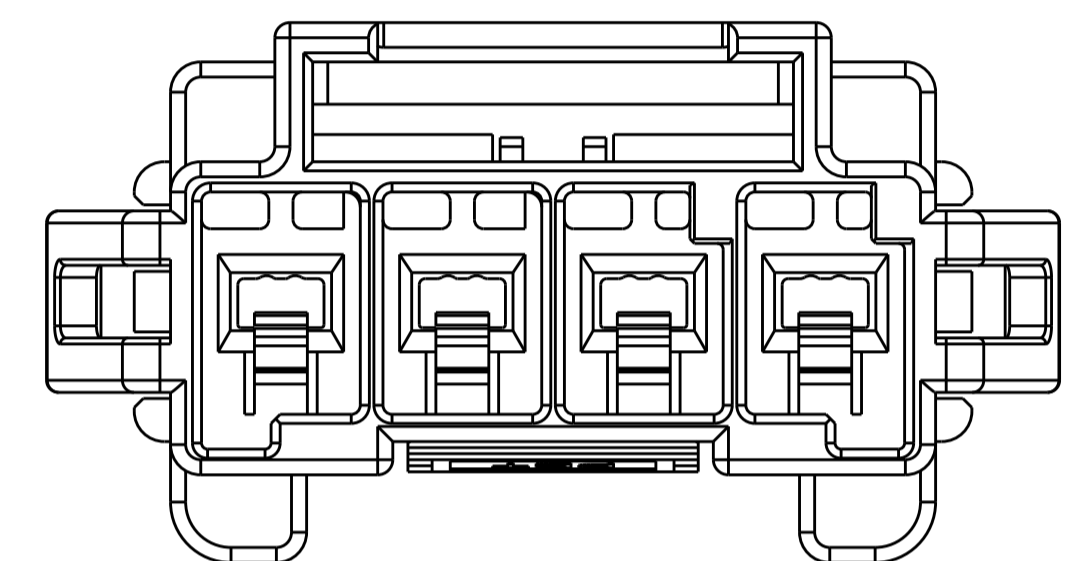
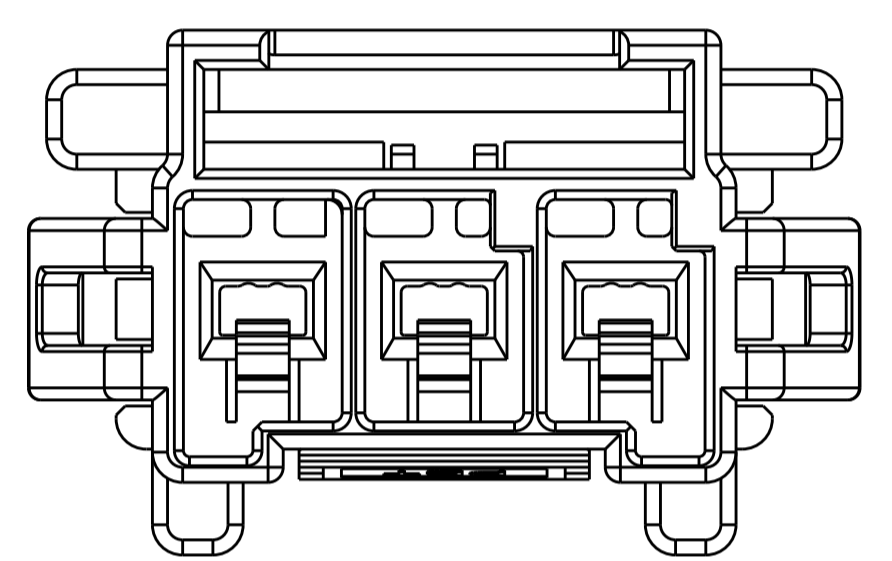
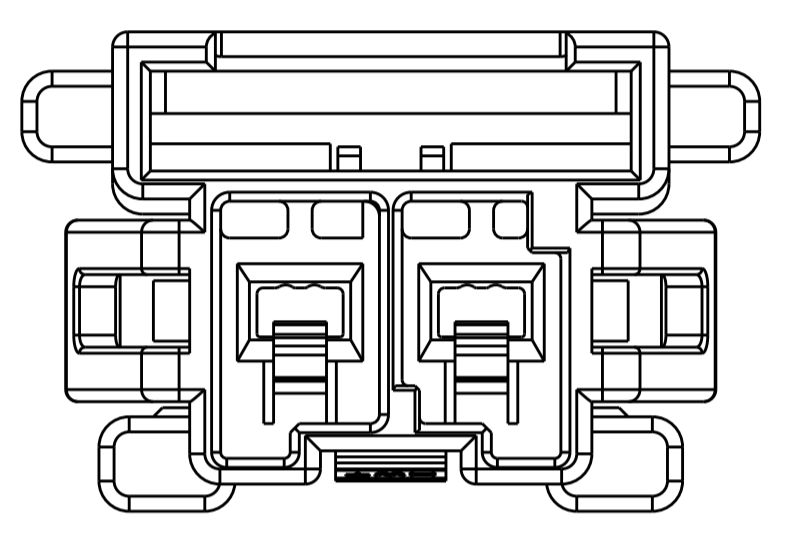
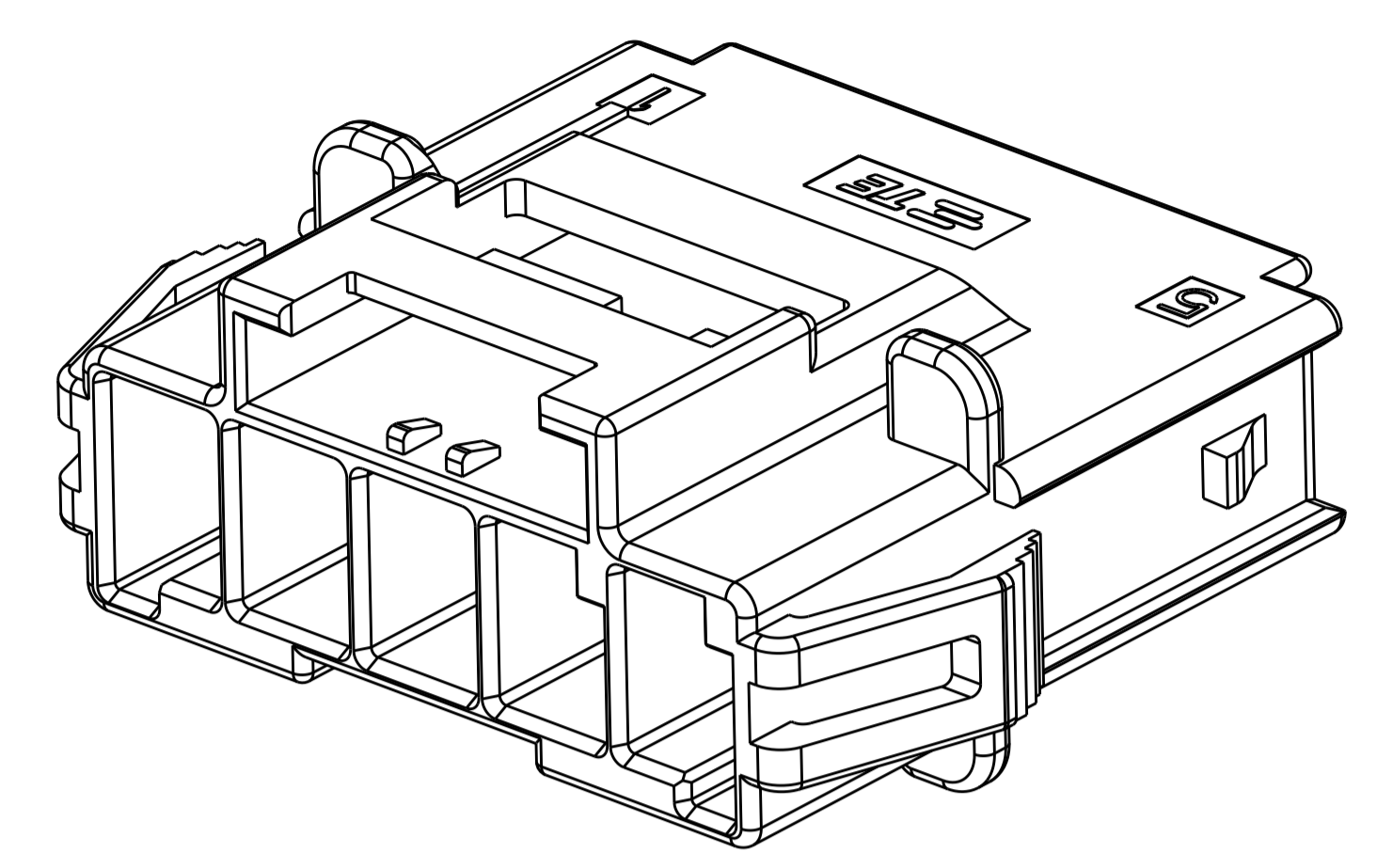
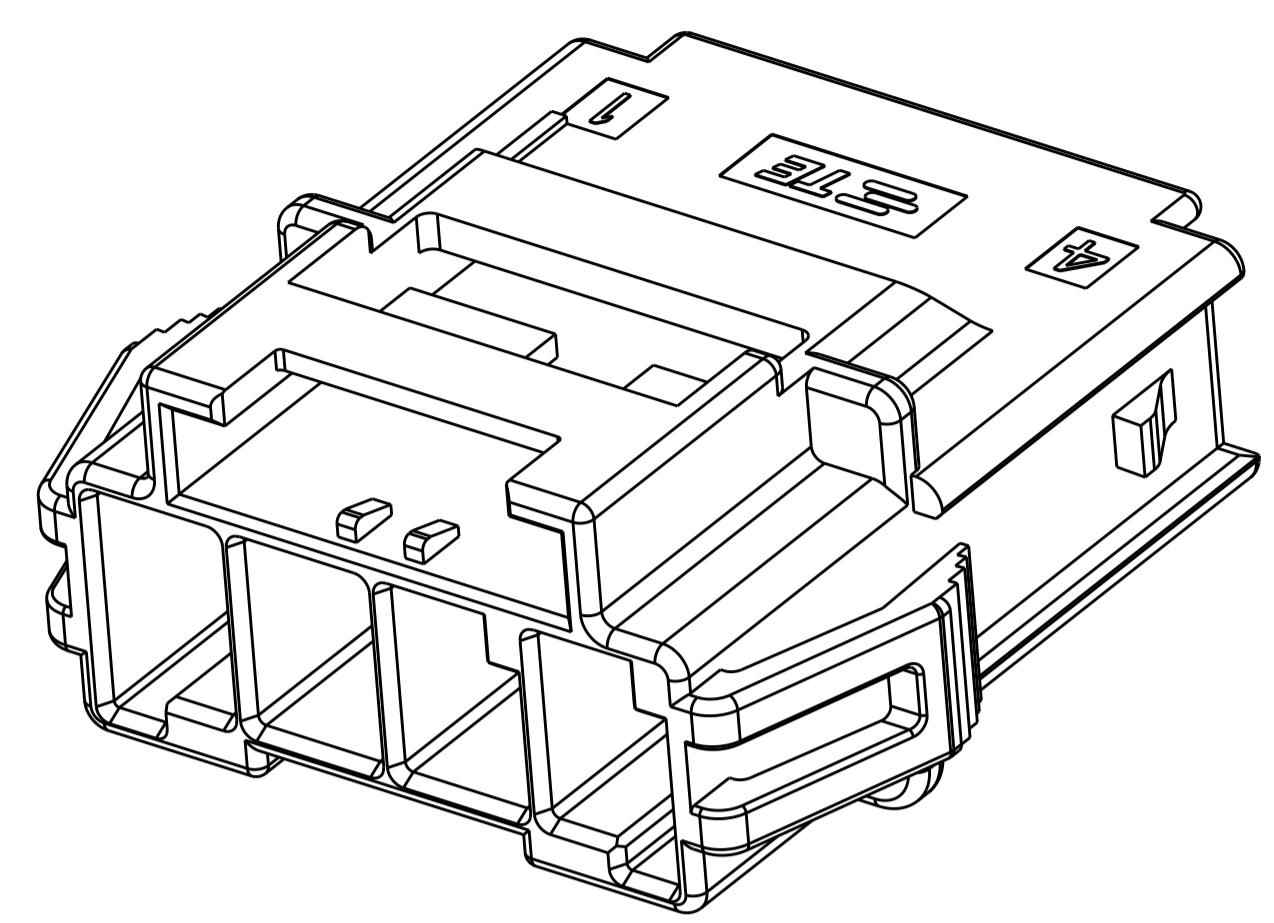
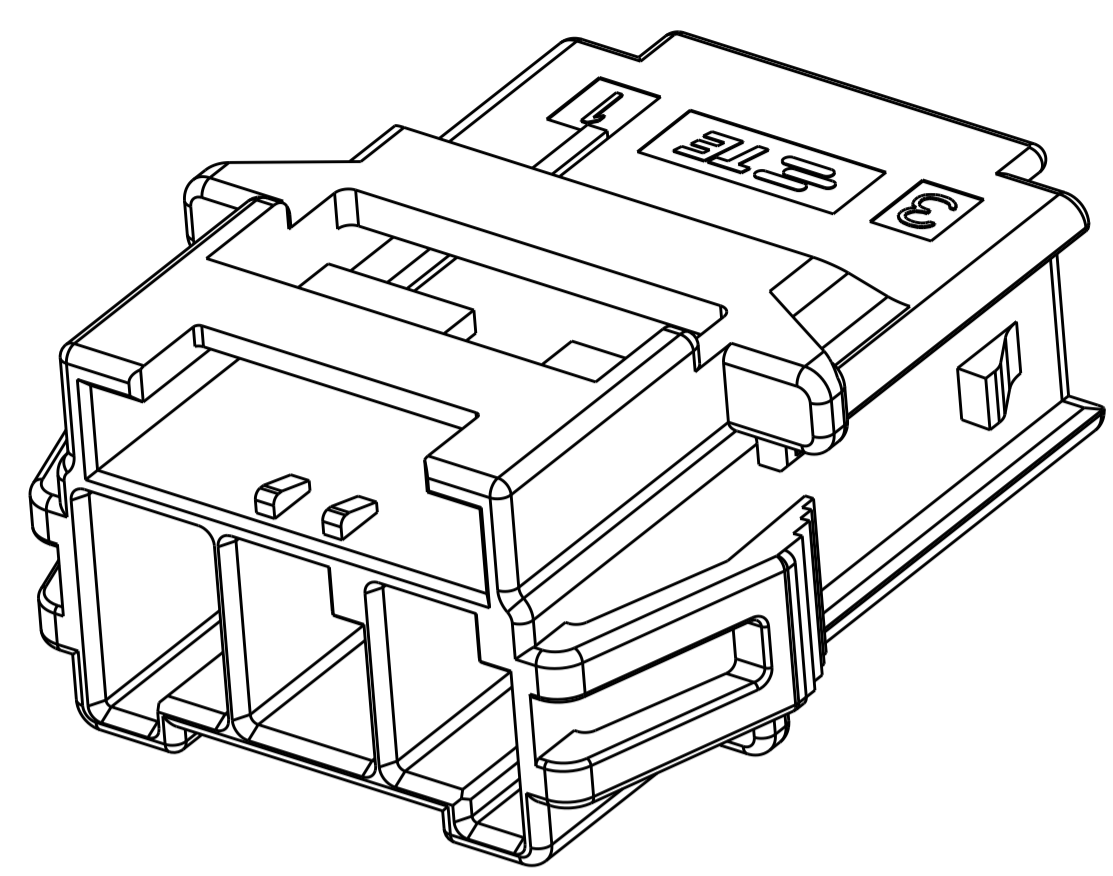
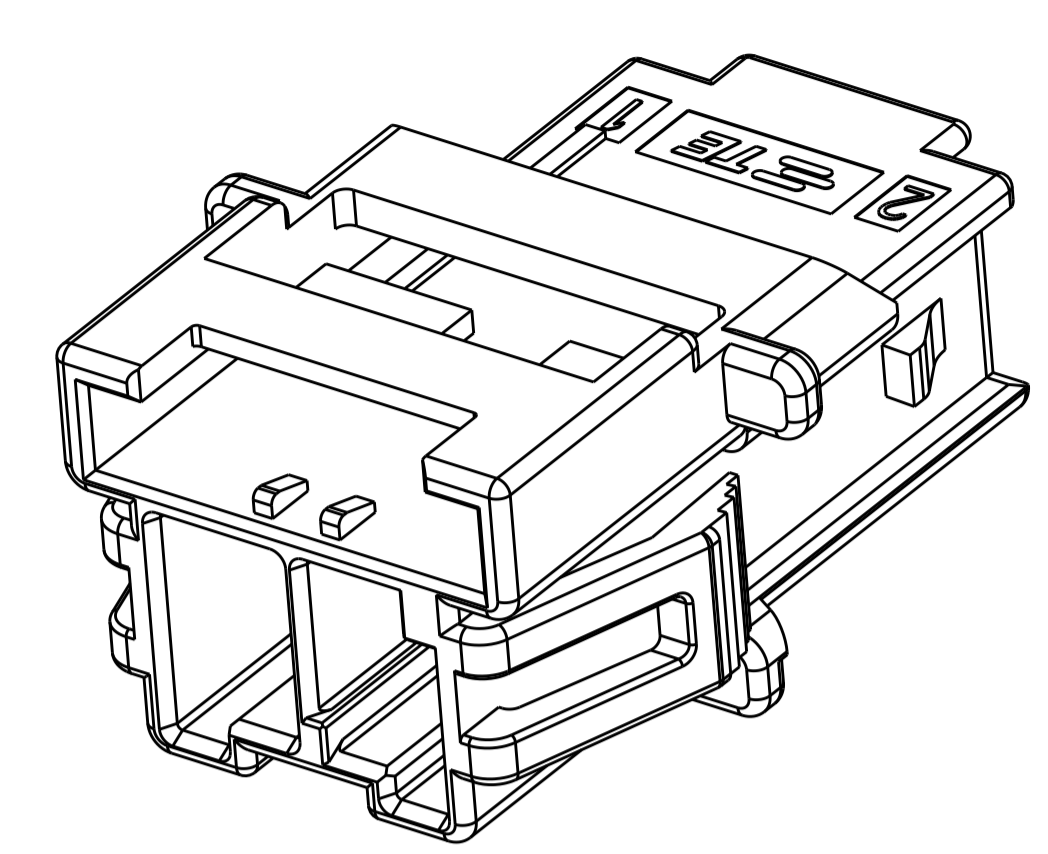
NAME: CAP HOUSING, PANEL MOUNT, SINGLE ROW POWER TRIPLE LOCK

SIZE: A1  
 CAGE CODE: 100779  
 DRAWING NO: 1971772

RESTRICTED TO: -

SCALE: - SHEET 1 OF 2 REV C

| LOC |     | DIST        |      | REVISIONS |      |  |  |
|-----|-----|-------------|------|-----------|------|--|--|
| P   | LTN | DESCRIPTION | DATE | OWN       | APVD |  |  |
| -   | -   | SEE SHEET 1 | -    | -         | -    |  |  |

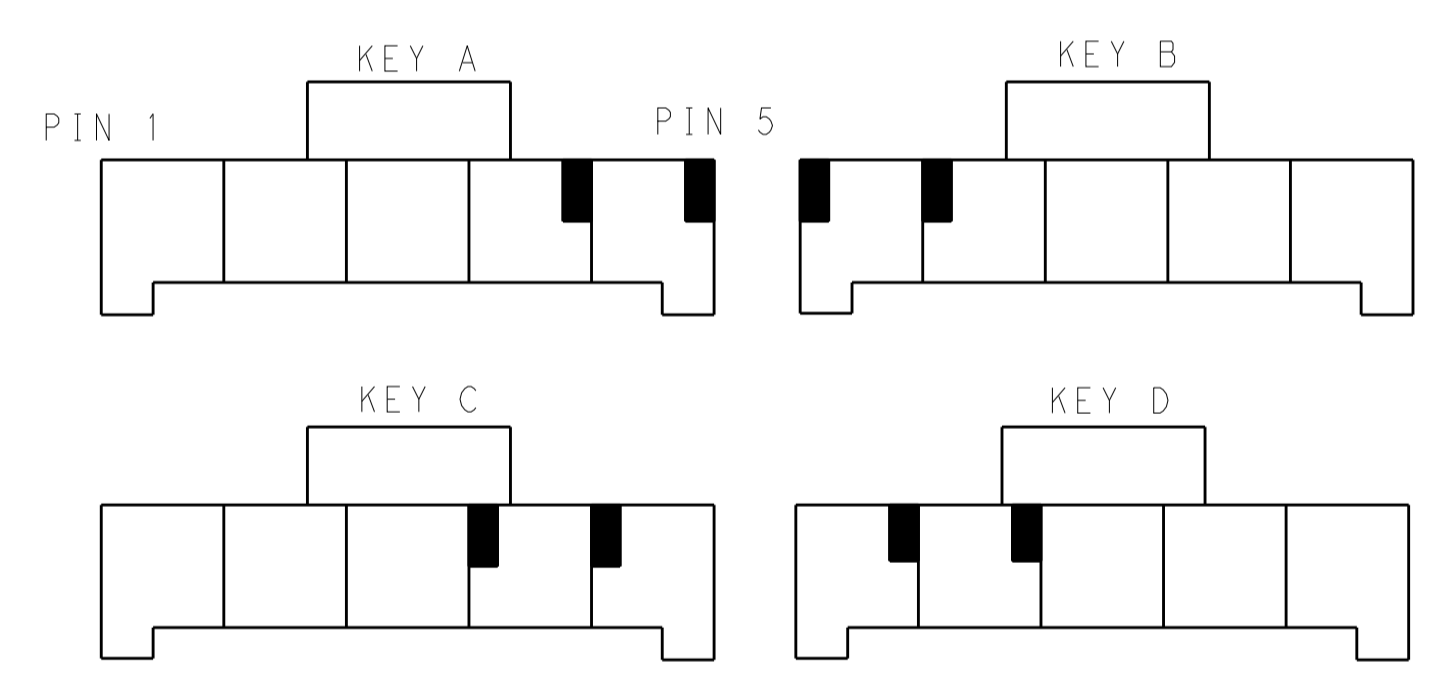
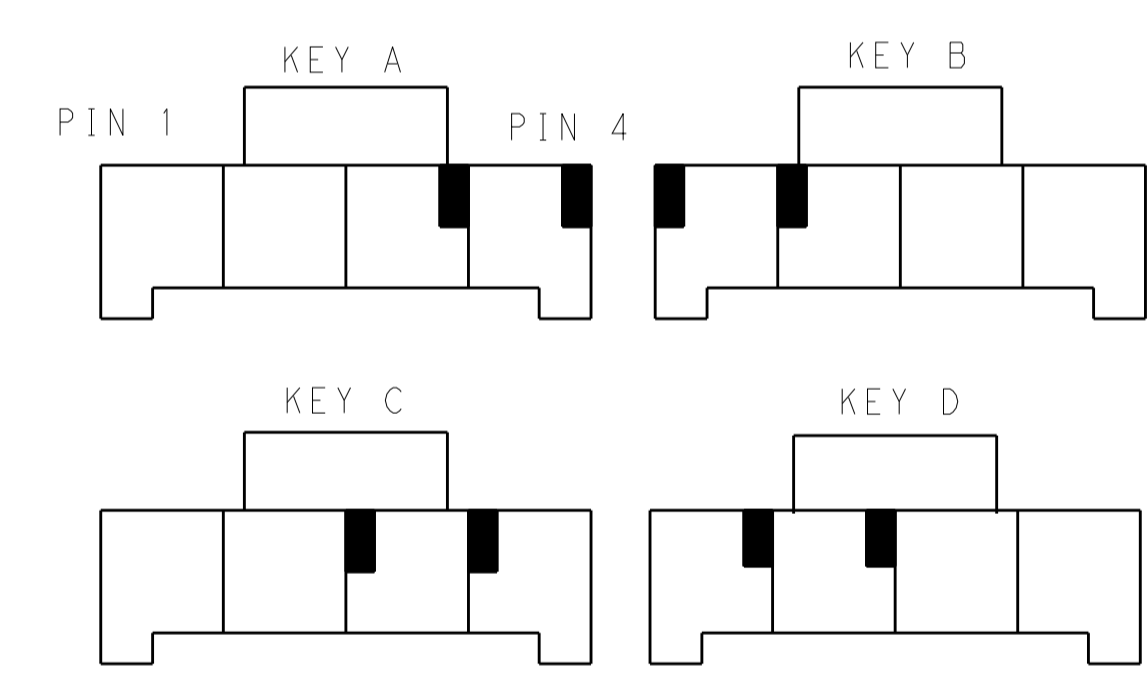
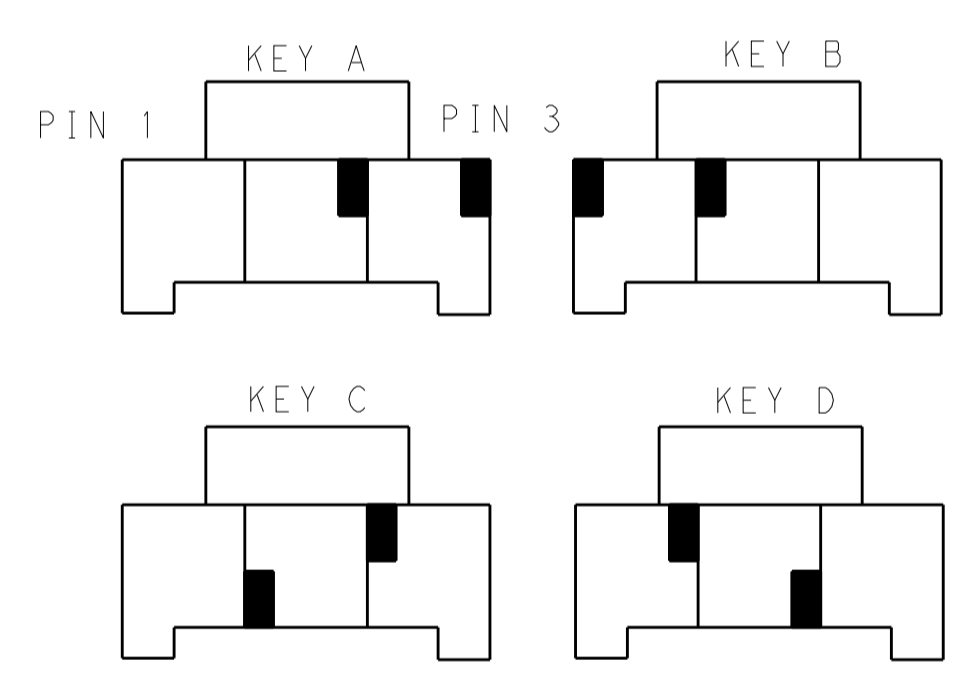
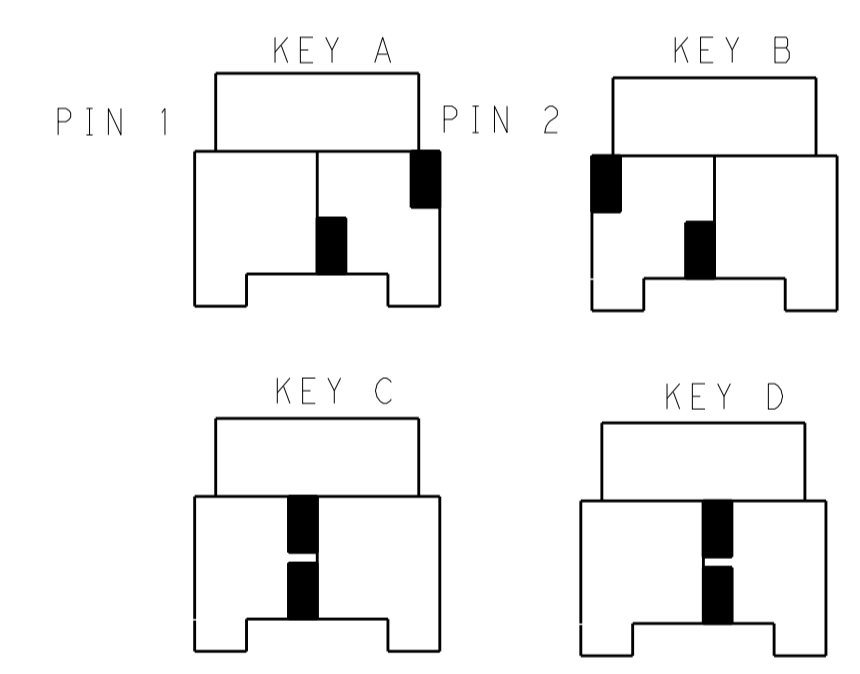


1\*2 POSITIONS

1\*3 POSITIONS

1\*4 POSITIONS

1\*5 POSITIONS



KEYING FOR 1\*2 POS.

KEYING FOR 1\*3 POS.

KEYING FOR 1\*4 POS.

KEYING FOR 1\*5 POS.

| POS. | MATERIAL | KEY   | P/N         |
|------|----------|-------|-------------|
| 1*3  | LEVEL 1  | KEY A | 1-1971772-3 |
|      |          | KEY B | 2-1971772-3 |
|      |          | KEY C | 3-1971772-3 |
|      |          | KEY D | 4-1971772-3 |
|      | LEVEL 2  | KEY A | 5-1971772-3 |
|      |          | KEY B | 6-1971772-3 |
|      |          | KEY C | 7-1971772-3 |
|      |          | KEY D | 8-1971772-3 |
| 1*2  | LEVEL 1  | KEY A | 1-1971772-2 |
|      |          | KEY B | 2-1971772-2 |
|      |          | KEY C | 3-1971772-2 |
|      |          | KEY D | 4-1971772-2 |
|      | LEVEL 2  | KEY A | 5-1971772-2 |
|      |          | KEY B | 6-1971772-2 |
|      |          | KEY C | 7-1971772-2 |
|      |          | KEY D | 8-1971772-2 |

| POS. | MATERIAL | KEY   | P/N         |
|------|----------|-------|-------------|
| 1*4  | LEVEL 1  | KEY A | 1-1971772-4 |
|      |          | KEY B | 2-1971772-4 |
|      |          | KEY C | 3-1971772-4 |
|      |          | KEY D | 4-1971772-4 |
|      | LEVEL 2  | KEY A | 5-1971772-4 |
|      |          | KEY B | 6-1971772-4 |
|      |          | KEY C | 7-1971772-4 |
|      |          | KEY D | 8-1971772-4 |
| 1*5  | LEVEL 1  | KEY A | 1-1971772-7 |
|      |          | KEY B | 2-1971772-7 |
|      |          | KEY C | 3-1971772-7 |
|      |          | KEY D | 4-1971772-7 |
|      | LEVEL 2  | KEY A | 5-1971772-7 |
|      |          | KEY B | 6-1971772-7 |
|      |          | KEY C | 7-1971772-7 |
|      |          | KEY D | 8-1971772-7 |

THIS DRAWING IS A CONTROLLED DOCUMENT.

OWN: TOMMY WU 06 JUL 2012  
 CHG: HAPYE WU 06 JUL 2012  
 APVD: YUHONG MAO 06 JUL 2012

**STE** TE Connectivity

NAME: CAP HOUSING, PANEL MOUNT, SINGLE ROW POWER TRIPLE LOCK

PRODUCT SPEC: 108-106118  
 APPLICATION SPEC: 114-106118

SIZE: A100779  
 CAGE CODE: 1971772  
 DRAWING NO: 1971772

RESTRICTED TO: Customer Drawing

SCALE: - SHEET 2 OF 2 REV C

# Mouser Electronics

Authorized Distributor

Click to View Pricing, Inventory, Delivery & Lifecycle Information:

[TE Connectivity:](#)

[1-1971772-4](#)