

REVISIONS			
LTR	DESCRIPTION	DATE	APPROVED
K1	REVISED PER ECO-11-005139	29MAR2011	HMR
L	ADDED PAGE 3 PER ECO-17-014556	04OCT2017	I.M.

DK-621-14XX-XX CONNECTORS ARE NOT AVAILABLE FOR NEW ORDERS. ORDER EQUIVALENT DK-621-04XX-XX CONNECTOR.


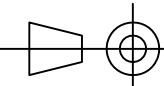
PART NUMBER	CONNECTOR	CONTACT	CONNECTOR INTERFACE	COLOR CODE
DK-621-0433	PLUG	_____	A	RED
DK-621-0433-1P	PLUG	PIN	A	RED
DK-621-0433-1UP	PLUG	PIN	A	RED
DK-621-0433-1S	PLUG	SOCKET	A	RED
DK-621-0433-1US	PLUG	SOCKET	A	RED
DK-621-0434	JACK	_____	A	RED
DK-621-0434-1P	JACK	PIN	A	RED
DK-621-0434-1UP	JACK	PIN	A	RED
DK-621-0434-1S	JACK	SOCKET	A	RED
DK-621-0434-1US	JACK	SOCKET	A	RED
DK-621-0435	PLUG	_____	B	WHITE
DK-621-0435-2P	PLUG	PIN	B	WHITE
DK-621-0435-2UP	PLUG	PIN	B	WHITE
DK-621-0435-2S	PLUG	SOCKET	B	WHITE
DK-621-0435-2US	PLUG	SOCKET	B	WHITE
DK-621-0436	JACK	_____	B	WHITE
DK-621-0436-2P	JACK	PIN	B	WHITE
DK-621-0436-2UP	JACK	PIN	B	WHITE
DK-621-0436-2S	JACK	SOCKET	B	WHITE
DK-621-0436-2US	JACK	SOCKET	B	WHITE
DK-621-0437	PLUG	_____	C	GREEN
DK-621-0437-3P	PLUG	PIN	C	GREEN
DK-621-0437-3UP	PLUG	PIN	C	GREEN
DK-621-0437-3S	PLUG	SOCKET	C	GREEN
DK-621-0437-3US	PLUG	SOCKET	C	GREEN
DK-621-0438	JACK	_____	C	GREEN
DK-621-0438-3P	JACK	PIN	C	GREEN
DK-621-0438-3UP	JACK	PIN	C	GREEN
DK-621-0438-3S	JACK	SOCKET	C	GREEN
DK-621-0438-3US	JACK	SOCKET	C	GREEN
DK-621-0439	PLUG	_____	D	N/A
DK-621-0439-4P	PLUG	PIN	D	N/A
DK-621-0439-4UP	PLUG	PIN	D	N/A
DK-621-0439-4S	PLUG	SOCKET	D	N/A
DK-621-0439-4US	PLUG	SOCKET	D	N/A
DK-621-0440	JACK	_____	D	N/A
DK-621-0440-4P	JACK	PIN	D	N/A
DK-621-0440-4UP	JACK	PIN	D	N/A
DK-621-0440-4S	JACK	SOCKET	D	N/A
DK-621-0440-4US	JACK	SOCKET	D	N/A

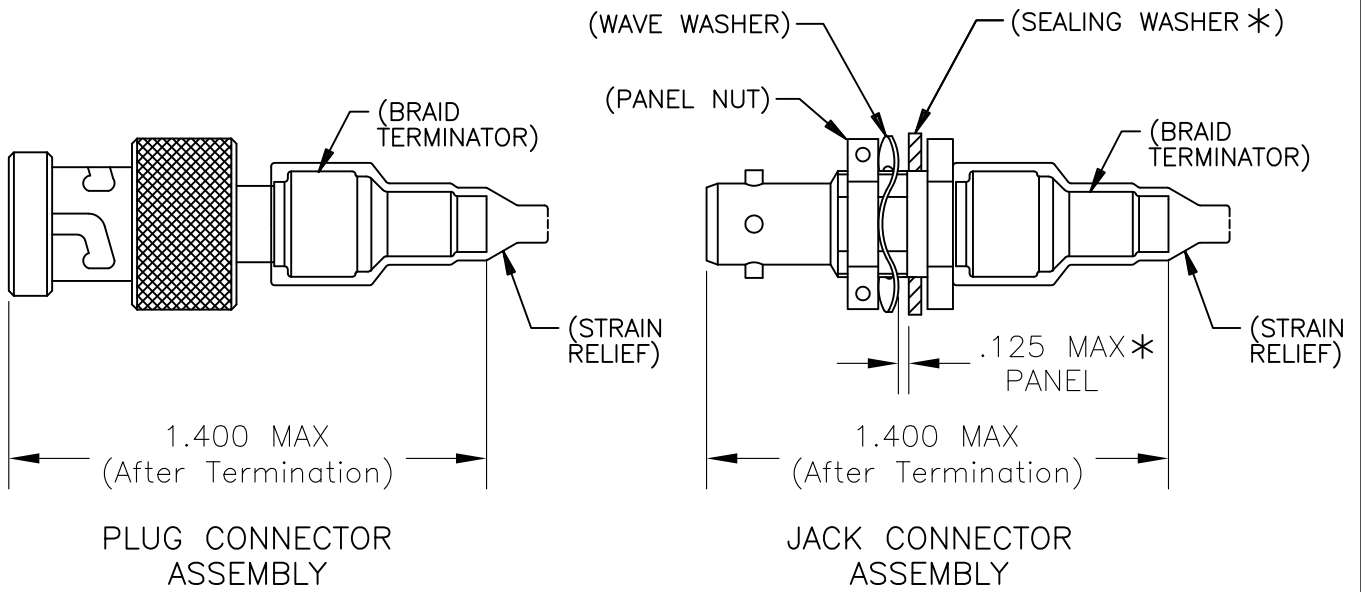
PART NUMBER	CONNECTOR	CONTACT	CONNECTOR INTERFACE	COLOR CODE
DK-621-1433	PLUG	_____	A	RED
DK-621-1433-1P	PLUG	PIN	A	RED
DK-621-1433-1S	PLUG	SOCKET	A	RED
DK-621-1434	JACK	_____	A	RED
DK-621-1434-1P	JACK	PIN	A	RED
DK-621-1434-1S	JACK	SOCKET	A	RED
DK-621-1435	PLUG	_____	B	WHITE
DK-621-1435-2P	PLUG	PIN	B	WHITE
DK-621-1435-2S	PLUG	SOCKET	B	WHITE
DK-621-1436	JACK	_____	B	WHITE
DK-621-1436-2P	JACK	PIN	B	WHITE
DK-621-1436-2S	JACK	SOCKET	B	WHITE
DK-621-1437	PLUG	_____	C	GREEN
DK-621-1437-3P	PLUG	PIN	C	GREEN
DK-621-1437-3S	PLUG	SOCKET	C	GREEN
DK-621-1438	JACK	_____	C	GREEN
DK-621-1438-3P	JACK	PIN	C	GREEN
DK-621-1438-3S	JACK	SOCKET	C	GREEN
DK-621-1439	PLUG	_____	D	N/A
DK-621-1439-4P	PLUG	PIN	D	N/A
DK-621-1439-4S	PLUG	SOCKET	D	N/A
DK-621-1440	JACK	_____	D	N/A
DK-621-1440-4P	JACK	PIN	D	N/A
DK-621-1440-4S	JACK	SOCKET	D	N/A

IF THIS DOCUMENT IS PRINTED IT BECOMES UNCONTROLLED. CHECK FOR THE LATEST REVISION.

© 2009-2017 TE Connectivity Corporation. All Rights Reserved.

Raychem Databus CUSTOMER DRAWING

UNLESS OTHERWISE SPECIFIED DIMENSIONS ARE IN INCHES AND METRIC DIMENSIONS ARE IN BRACKETS. DECIMALS .XXX ± --- [---mm] .XX ± --- [---mm] ANGLES .X ± --- WEIGHT ---lbs [---g]	DRAWN J.B.K. 1992Mar03	 TE Connectivity	TITLE KITS FOR DK-621-0433/0440 TRIAXIAL CONNECTORS
	CHECKED G.Rositano 2009Mar12		
	APPROVED Z.TEMAN 1992Mar03		
	CAD NAME DK621-X433-X440_CD_Ka		
THIRD ANGLE PROJECTION 	SIZE A	CODE IDENT. NO. 06090	DWG. NO. DK-621-X433/X440-XX
DO NOT SCALE THIS DRAWING		SHEET 1 OF 3	



NOTES:

1.0 REFER TO THE FOLLOWING TE CONNECTIVITY CUSTOMER DRAWINGS (CD) FOR INDIVIDUAL COMPONENT DETAILS:

D-621-0433/0440	CONNECTOR, TRIAXIAL, BAYONET COUPLED
D-602-0126	CONTACT, PIN, TWISTED PAIR
D-602-0127	CONTACT, SOCKET, TWISTED PAIR
(D-600-0030)	BRAID TERMINATOR
(D-600-0019)	STRAIN RELIEF
(D-600-0053)	SEALING WASHER (JACK ONLY)

* SEALING WASHER MAY BE INSTALLED IF THE PANEL THICKNESS IS LESS THAN 0.093 INCH.

2.0 CONNECTORS ARE QUALIFIED TO RAYCHEM SPECIFICATION D-6025.

3.0 TERMINATION PROCEDURE: RAYCHEM ES 61162.

IF THIS DOCUMENT IS PRINTED IT BECOMES UNCONTROLLED. CHECK FOR THE LATEST REVISION.

Raychem Databus CUSTOMER DRAWING				TE Connectivity	
DRAWN	DATE	SIZE	CAGE CODE	DWG. NO.	REV
J.B.K.	91Apr2003	A	06090	DK-621-X433/X440-XX	L
CAD FILE		DO NOT SCALE THIS DRAWING		SHEET 2 OF 3	
DK621-X433-X440_CD_Kb					

Bayonet Style D-621 Connector Kit Part Numbering

DK-621 - 04 33 - 1 U P

CONTACT

P: Pin
S: Socket
Omit if contact is not required

UNMARKED STRAIN RELIEF TUBING

Omit if Air Force part number marking is required
Omit if contact is not required

KEYING POLARIZATION

1: A Keying
2: B Keying
3: C Keying
4: D Keying
Omit if contact is not required

-: Part number separator
Omit if contact is not required

BASIC CONNECTOR CONFIGURATION

33: Plug, A Keying
34: Jack, A Keying
35: Plug, B Keying
36: Jack, B Keying
37: Plug, C Keying
38: Jack, C Keying
39: Plug, D Keying
40: Jack, D Keying

SERIES

-: Part number separator

D-621 CONNECTOR, KITTED WITH ACCESSORIES

IF THIS DOCUMENT IS PRINTED IT BECOMES UNCONTROLLED. CHECK FOR THE LATEST REVISION.

Raychem Databus CUSTOMER DRAWING					TE Connectivity	
<small>DRAWN</small> G.M.R.	<small>DATE</small> 03Oct2017	<small>SIZE</small> A	<small>CAGE CODE</small> 06090	<small>DWG. NO.</small> DK-621-X433/X440-XX	<small>REV</small> L	
<small>CAD FILE</small> DK621-X433-X440_CD_Kb		<small>DO NOT SCALE THIS DRAWING</small>			<small>SHEET 3 OF 3</small>	

Mouser Electronics

Authorized Distributor

Click to View Pricing, Inventory, Delivery & Lifecycle Information:

[TE Connectivity:](#)

[DK-621-0434-1P](#)