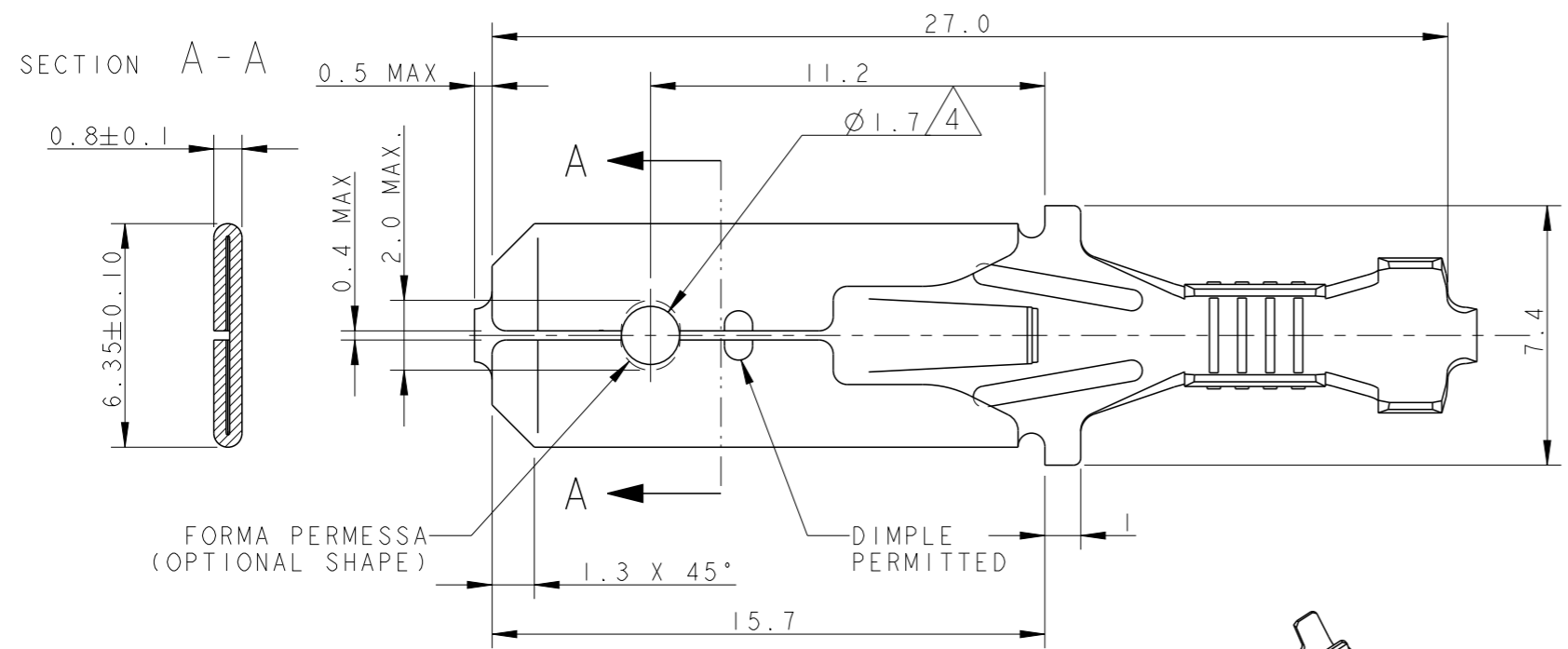
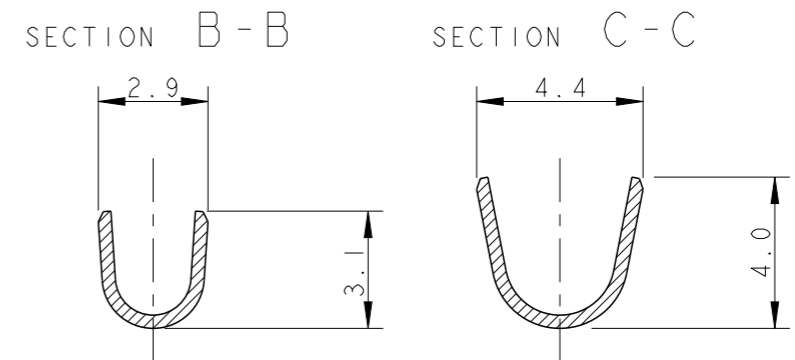
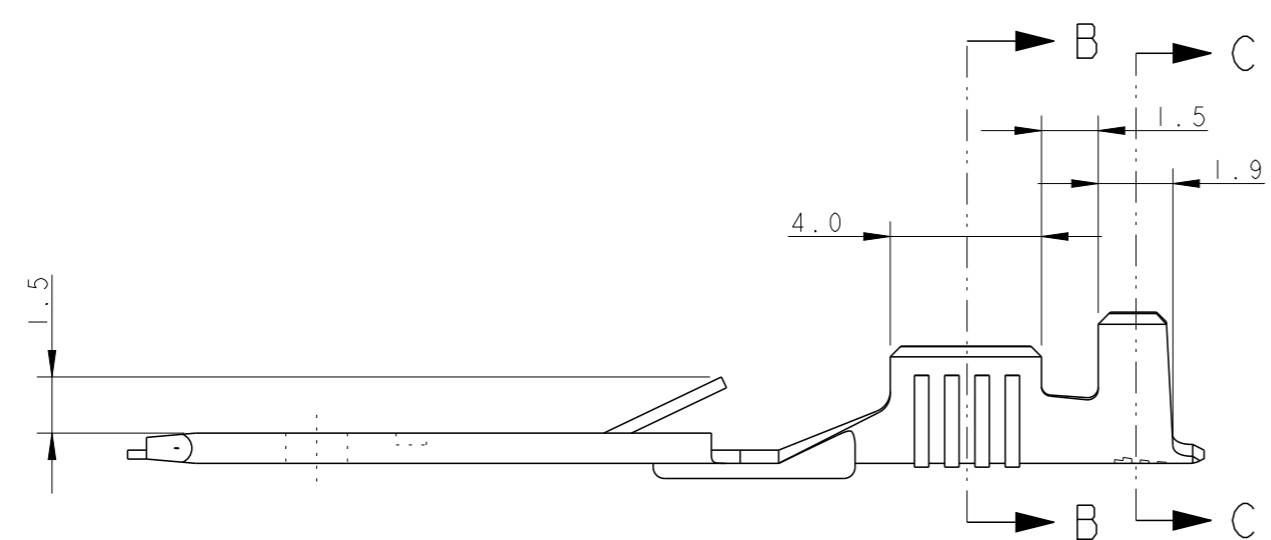
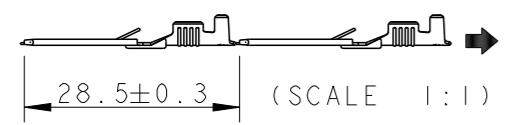


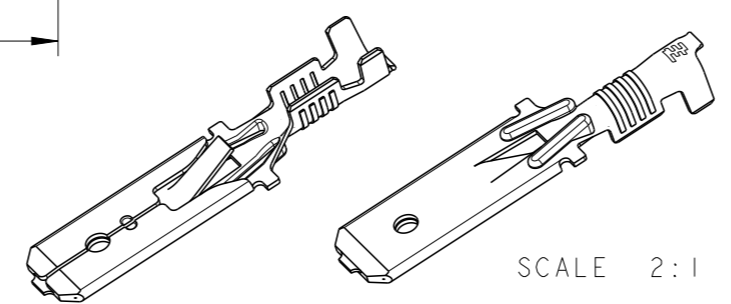
LOC	DIST	REVISIONS					
		P	LTR	DESCRIPTION	DATE	DWN	APVD
1	-	B3		REVISED PER ECO-11-005301	28MAR2011	RK	HMR
		B4		NEW PNs WITHOUT INTERLEAVE ADDED	20MAY2013	PKS	RRP
		C		PLATING INFO CORRECTED FOR 3- -2	17JUN2013	PKS	RRP



1) STATO DI FORNITURA (SUPPLY CONDITION, Scala 1:1)



SENSO DI USCITA DEL TERMINALE DALLA BOBINA (DIRECTION OFF TOP OF REEL)



- 2) BOBINATO SU BOBINA 12" CON CARTA INTERPOSTA (REELED ON 12" CARTON TYPE REEL WITH INTERLEAVE PAPER STRIP)
- 3) SPLICING STRIP PRODUCT BY SPOT WELDING PERMITTED

- 4 VERSIONI CON FORO (VERSION WITH HOLE)
- 5 REELED WITHOUT INTERLEAVE PAPER

	PRE-STAGNATO (PRE-TINNED)	OTTONE (BRASS)	3-293041-2
	NUDO (PLAIN)	OTTONE (BRASS)	3-293041-1
	PRE-STAGNATO (PRE-TINNED)	OTTONE (BRASS)	2-293041-2
	NUDO (PLAIN)	OTTONE (BRASS)	2-293041-1
	PRE-STAGNATO (PRE-TINNED)	OTTONE (BRASS)	1-293041-2
	NUDO (PLAIN)	OTTONE (BRASS)	1-293041-1
	PRE-STAGNATO (PRE-TINNED)	OTTONE (BRASS)	0-293041-2
	NUDO (PLAIN)	OTTONE (BRASS)	0-293041-1
NOTE (NOTES)	VERSIONI (VERSIONS)	FINITURA (FINISH)	MATERIALE (MATERIAL)

THIS DRAWING IS A CONTROLLED DOCUMENT. DWN 04 JUL 2005 H. Yaali

CHK G. Turco

APVD

PRODUCT SPEC 108-20020

APPLICATION SPEC 114-20119

WEIGHT

Customer Drawing

STE TE Connectivity

NAME FASTIN-FASTON Connector, 6.3 mm SR. TAB CONTACT

SIZE A3 CAGE CODE 00779 DRAWING NO C-293041 RESTRICTED TO

SCALE 5:1 SHEET 1 OF 1 REV C

DIAM. ISOLANTE (INS. DIA. RANGE)	0 PLC ±0.3
	1 PLC ±
	2 PLC ±
	3 PLC ±
	4 PLC ±
RANGO FILO (WIRE RANGE)	ANGLES ±2°
0.35-1.00 mm ²	FINISH SEE TABLE

DIMENSIONS:	TOLERANCES UNLESS OTHERWISE SPECIFIED:
mm	
MATERIAL	SEE TABLE
FINISH	SEE TABLE

Mouser Electronics

Authorized Distributor

Click to View Pricing, Inventory, Delivery & Lifecycle Information:

[TE Connectivity:](#)

[3-293041-2](#)