

Klebestreifen für pick and place
tape for pick and place

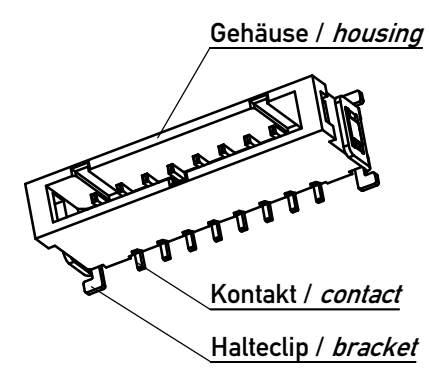
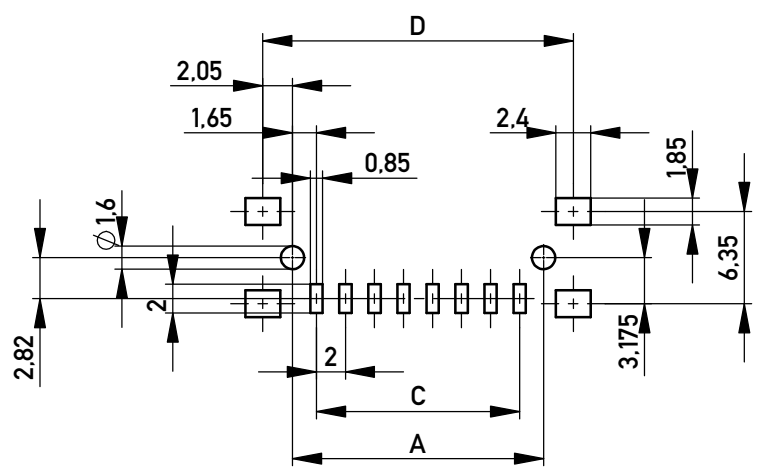
Material und Oberfläche:
Material and plating:

- Gehäuse / housing: LCP, UL94V-0, natural
- Kontakt / contact: Kupferlegierung 2.5µm verzinkt, 1.25µm Ni rundum
Copper alloy
2.5µm tin plating over 1.25µm Ni all over
- Halteclip / bracket: 2.5µm verzinkt, 1.25µm Ni rundum
Copper alloy
2.5µm tin plating over 1.25µm Ni all over

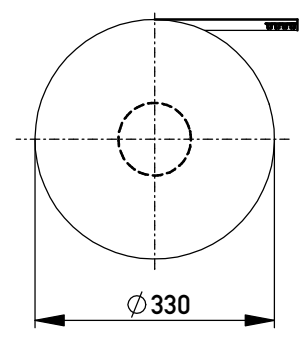
Maße und Toleranzen in Übereinstimmung mit ASME Y14.5-2009 /
Interpret dimensions according to ASME Y14.5-2009

Layout:

vorgeschlagene Toleranz für PCB Layout ± 0.05
recommended PCB layout tolerance ± 0.05



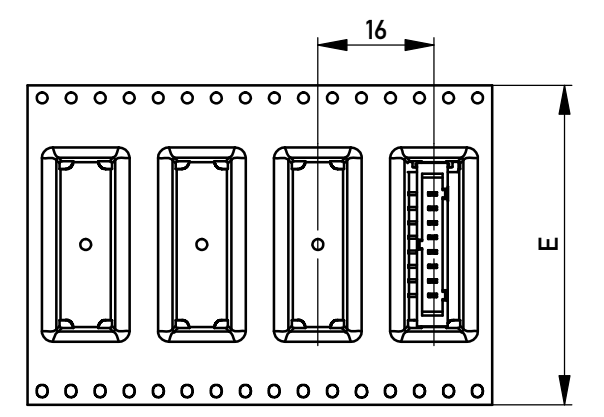
Verpackt im Gurt in Anlehnung an DIN IEC 60286-3
Tape on Reel Packaging according to DIN IEC 60286-3
Verpackungseinheit: 400 Stück
Packaging unit: 400 pcs



Verpackung Stange / packaging tube

12	18
10	22
8	27
6	33
5	37
4	42
3	49
2	58
Polzahl No. of positions	Stück / pieces

Abspulrichtung - Reel off Direction



119928	119930	12	25.3	30.5	22	29.4	44
119927	119929	10	21.3	26.5	18	25.4	44
109906	109912	8	17.3	22.5	14	21.4	44
109905	109911	6	13.3	18.5	10	17.4	44
109904	109910	5	11.3	16.5	8	15.4	32
109903	109909	4	9.3	14.5	6	13.4	32
109902	109908	3	7.3	12.5	4	11.4	24
109901	109907	2	5.3	10.5	2	9.4	24
Ident.-Nr. mit Haube part-no. tape & reel with cap	Ident.-Nr. ohne Haube part-no. tube w/o cap	Polzahl position	Mass A Dim A	Mass B Dim B	Mass C Dim C	Mass D Dim D	Mass E Dim E

Information: Tolerances Scale 5:1

All rights reserved. Only for Information. To ensure that this is the latest version of this drawing, please contact one of the ERNI companies before using.

Subject to modification without prior notice. Drawing will not be updated.

Designation: **iBridge male 2mm pitch
Single Row Vertical SMT**

www.ERNI.com

109900

Class: IBRIDGE

Index: 10.04.2018 Date: A3

Mouser Electronics

Authorized Distributor

Click to View Pricing, Inventory, Delivery & Lifecycle Information:

[ERNI Electronics:](#)

[109906](#) [109903](#) [109905](#) [109912](#) [109909](#) [109911](#) [109904](#) [109902](#) [109901](#) [109910](#) [109908](#) [109907](#)