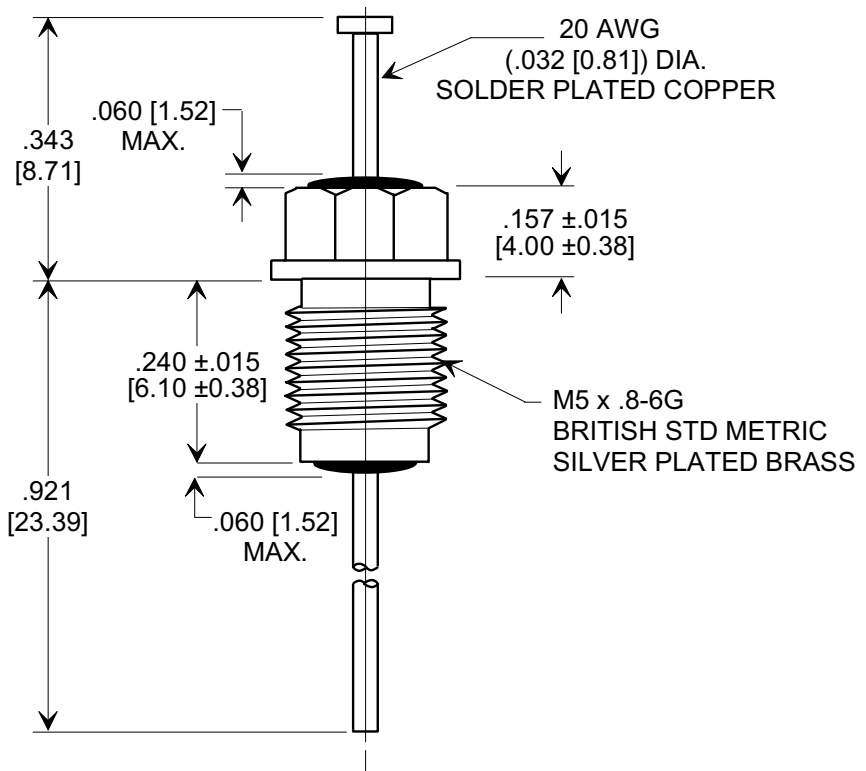
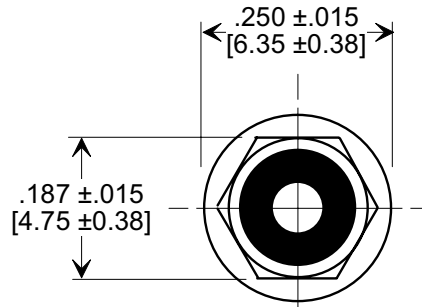
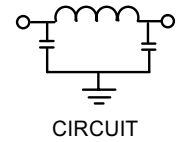
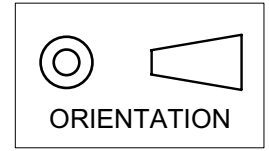


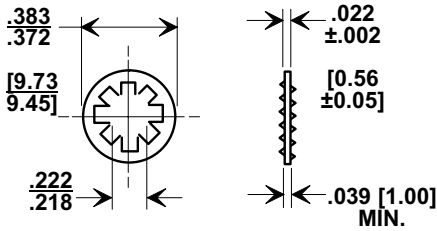
MARKETING SALES DRAWING

DIMENSIONS IN INCHES - DO NOT SCALE THIS DRAWING
 DIMENSIONS IN METRIC - []

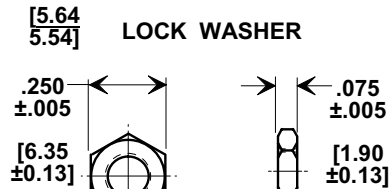
Electrical Testing
 per Tusonix standard
 test plans and Mil-Std-202
 Test Methods.



SILVER PLATED MOUNTING HARDWARE



LOCK WASHER



M5X .8 - 6H
 AFTER
 PLATING

HEX NUT

5500	350	100	10 A	I.R. MIN. @ 100 (VDC.)	DWV	20	65	70	70
	85°C	125°C				10 MHz	100 MHz	1 GHz	10 GHz
MIN. CAP. (pF)	WORKING VOLTAGE (VVdc)		CURRENT IDC	10 G Ω	700 vdc	MINIMUM NO LOAD INSERTION LOSS (dB) AT 25°C PER MIL-STD -220			

X-2015 Rev-0

REVISION RECORD	Original Release C.O. 4668	0
	WVDC 85° C WAS 200. E.C. 03-18-97	1
	RDN TO COMP FMT & ADDED L WASHER, HET NUT & NOTE 1. S.M. 10-20-98	970318-2
	ADDED METRIC, CIRCUIT & ORIENTATION. S.M. 12-18-01	19981019-5-01
	CAP WAS 5000. FIXED METRIC 2 PLCS. S.M. 07-14-03	20011210-2-04
SOLDER PLATED, SOLDER PLATED COPPER, SILVER PLATED BRASS & IR MIN. @ 100 VDC & DWV COLUMNS ADDED & NOTE DELETED L.E. 01-30-04	20030711-1-01	4
	20040130-1-01	5

 TUCSON, ARIZONA -- TOLERANCES -- Unless Otherwise Specified	Title BUSHING STYLE EMI FILTER	
	Drawn	S.M. 10-20-98
2 Place Decimal ±	Approved	S.C. 10-20-98
3 Place Decimal ± .031 [0.79]	A	4209-053
Angles ±		

Mouser Electronics

Authorized Distributor

Click to View Pricing, Inventory, Delivery & Lifecycle Information:

[Tusonix / CTS:](#)

[4209-053LF](#)