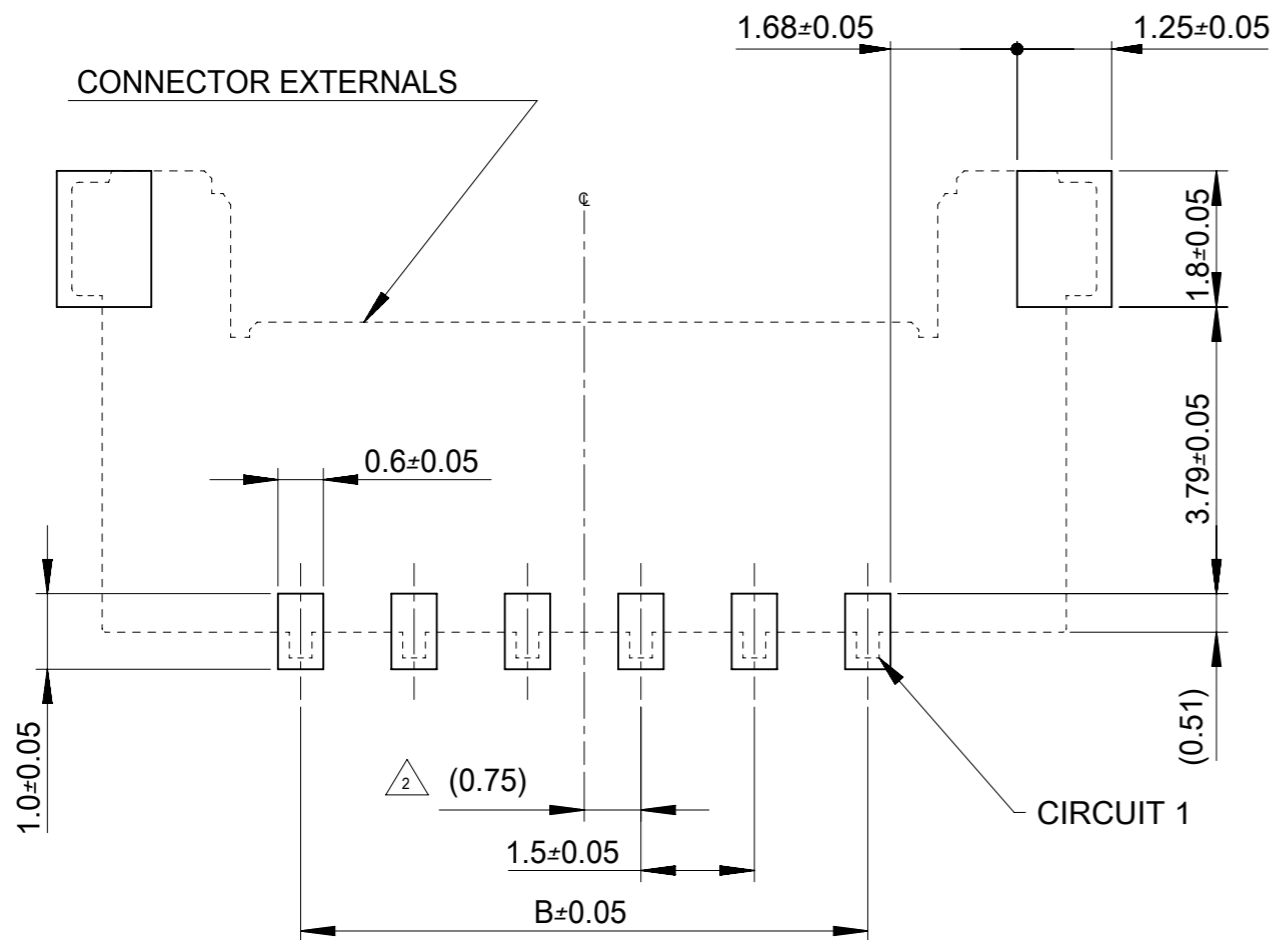


NOTE.

1. 嵌合相手 : 5 0 4 0 5 1 * * * *
MATE WITH : 504051****
2. 偶数極の製品に適用
APPLY EVEN CIRCUIT PRODUCTS.
3. 材質
MATERIAL
ハウジング : ポリアミド(PA)
UL 9 4 - V 0 BLACK
HOUSING : POLYAMIDE(PA)
UL94-V0 BLACK
ターミナル、ネール : 銅合金
TERMINAL、NAIL: COPPER ALLOY
4. めっき
PLATING
ターミナル : ニッケル下地めっき 1.0micro-meter MIN.、
コンタクト : 金めっき0.1micro-meter MIN. 半田付け部 : 金めっき
TERMINAL : UNDER NICKEL PLATING 1.0micro-meter MIN. CONTACT :
GOLD PLATING0.1micro-meter MIN. TAIL : GOLD PLATING
ネール : ニッケル下地めっき 1.0micro-meter MIN. 錫めっき 1.0micro-meter MIN.
NAIL:UNDER NICKEL PLATING 1.0micro-meter MIN.
TIN PLATING 1.0micro-meter MIN.
5. ソルダータイルとネイルの平坦度 : 0.08mm MAX.
SOLDER TAIL AND FITTING NAIL COPLANARITY : 0.08mm MAX.
6. ELV及びRoHS適合品
ELV AND RoHS COMPLIANT.
7. 製品仕様及び取扱いについては、製品仕様書PS-504051-001
及びコネクタ取扱説明書AS-504051-001を参照願います。
PLEASE REFER TO PRODUCT SPECIFICATION PS-504051-001
AND APPLICATION SPECIFICATION AS-504051-001.
8. 梱包仕様書 : SPK-504050-001.
PACKING INFORMATION SPK-504050-001.

17.85	16.5	21.75	12
14.85	13.5	18.75	10
11.85	10.5	15.75	8
10.35	9.0	14.25	7
8.85	7.5	12.75	6
7.35	6.0	11.25	5
5.85	4.5	9.75	4
C	B	A	極数 CIRCUIT SIZE

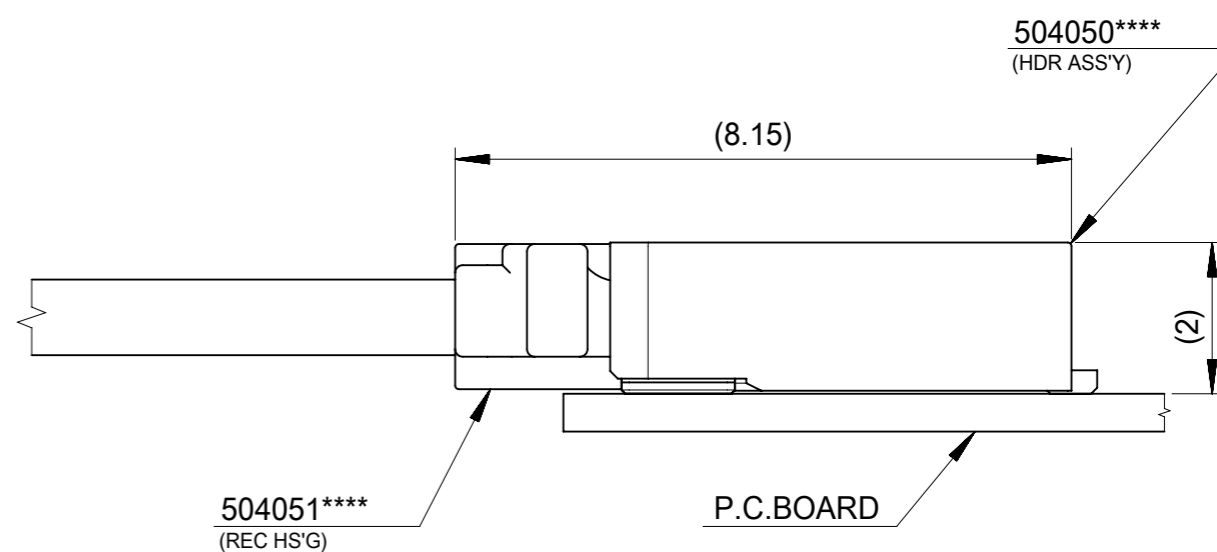
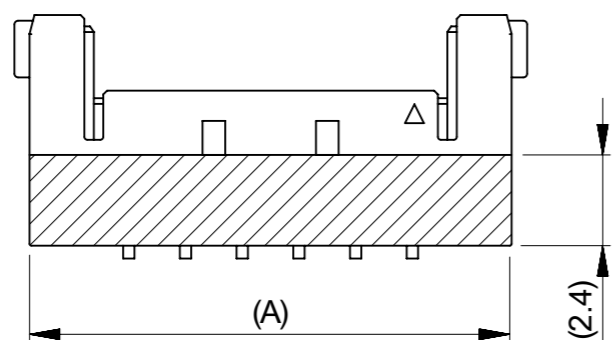
THIS DRAWING CONTAINS INFORMATION THAT IS PROPRIETARY TO MOLEX ELECTRONIC TECHNOLOGIES, LLC AND SHOULD NOT BE USED WITHOUT WRITTEN PERMISSION									
DIMENSION UNITS	SCALE	CURRENT REV DESC: REDRAWN AND REVISED							
mm	NTS								
GENERAL TOLERANCES (UNLESS SPECIFIED)									
ANGULAR TOL	± 3.0 °	PICO-LOCK1.5 HDRASSY SGLRW R/A ETP H=2 FOR CIRCUIT SIZE 4-8, 10,12							
4 PLACES	± 0.2	PRODUCT CUSTOMER DRAWING							
3 PLACES	± 0.2	DOCUMENT NUMBER							
2 PLACES	± 0.2	5040500000-SD							
1 PLACE	± 0.2	DOC TYPE							
0 PLACES	± 0.2	PSD							
DRAFT WHERE APPLICABLE MUST REMAIN WITHIN DIMENSIONS		THIRD ANGLE PROJECTION		DRAWING	SERIES	MATERIAL NUMBER	CUSTOMER	SHEET NUMBER	
				A3-SIZE	504050	SEE CHART OF SHEET 1		1 OF 3	



RECOMMENDED PATTERN LAYOUT (REF.)

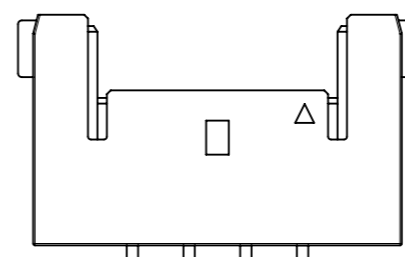
推奨メタルマスク厚さ:0.1mm、開口率:100%。
 RECOMMEND STENCIL MASK THICKNESS: 0.1mm, APERTURE RATIO: 100%.

吸着エリア
PICK-UP AREA

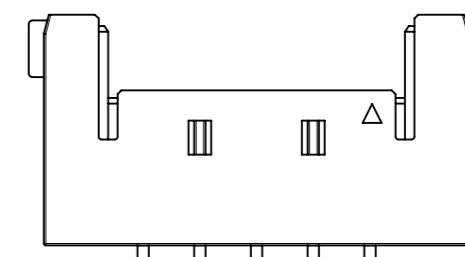


MATED CONNECTORS

NUMBER of LOCK

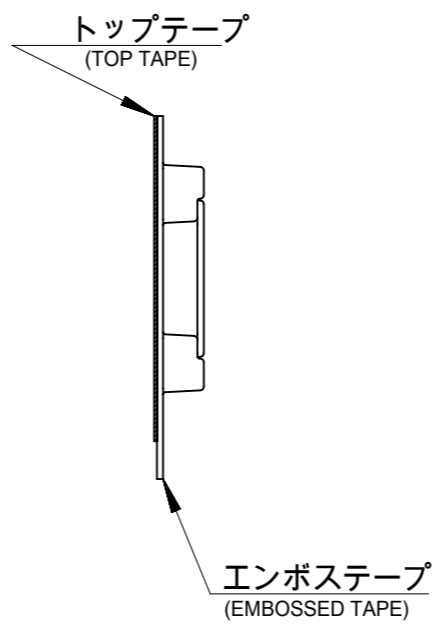
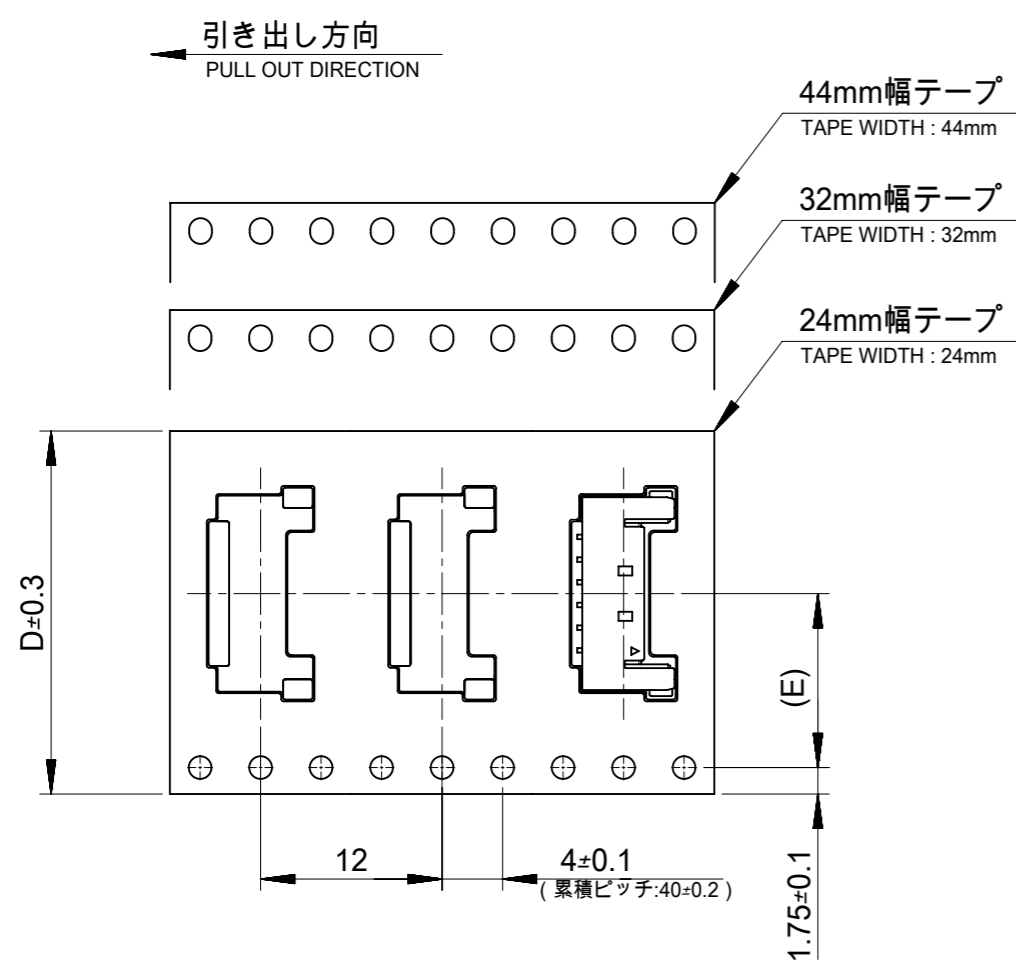


4 CIRCUITS



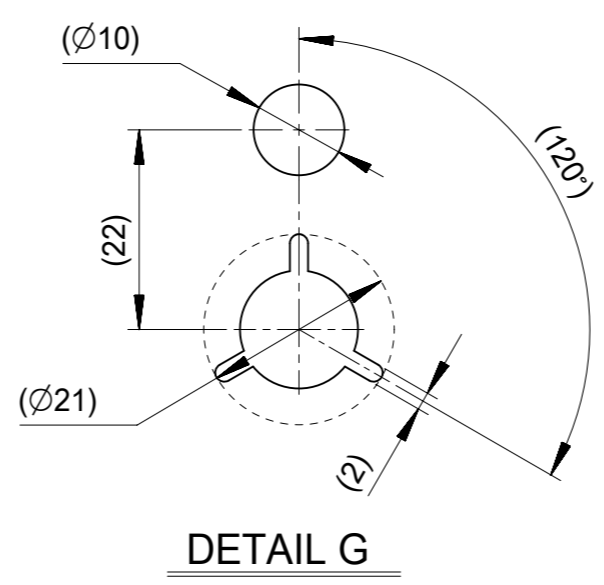
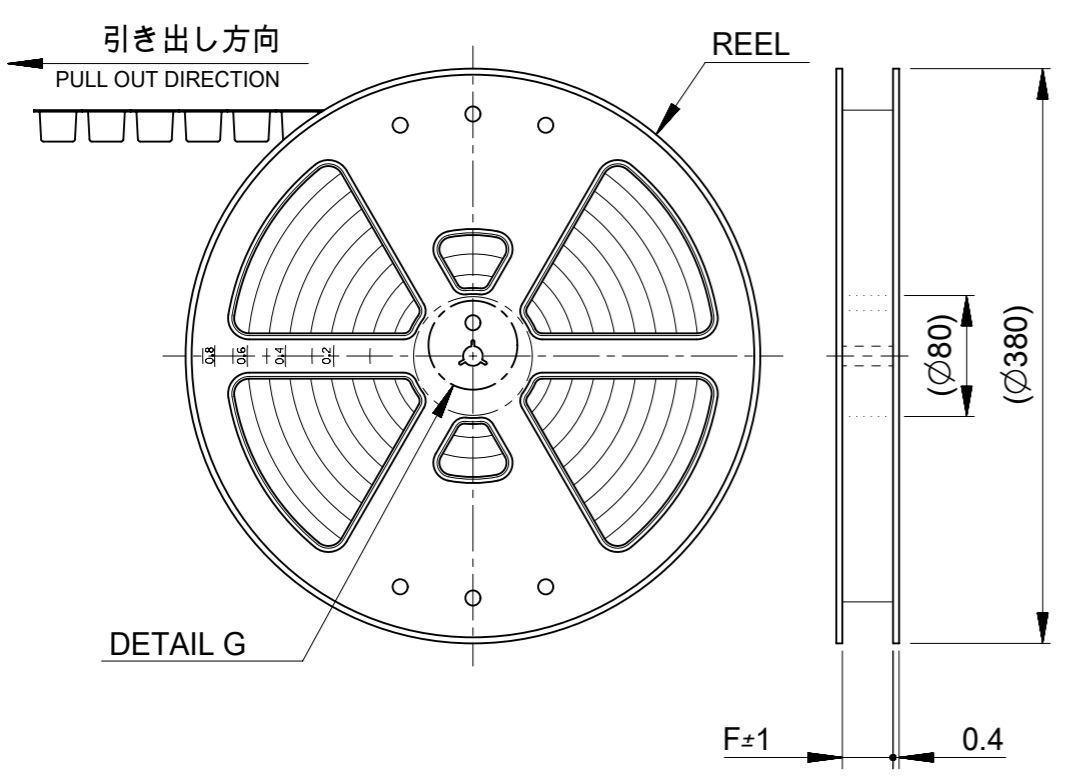
5-12 CIRCUITS

THIS DRAWING CONTAINS INFORMATION THAT IS PROPRIETARY TO MOLEX ELECTRONIC TECHNOLOGIES, LLC AND SHOULD NOT BE USED WITHOUT WRITTEN PERMISSION											
DIMENSION UNITS		SCALE		CURRENT REV DESC: REDRAWN AND REVISED				molex		PICO-LOCK1.5 HDRASSY SGLRW R/A ETP H=2 FOR CIRCUIT SIZE 4-8, 10,12	
mm		NTS									
GENERAL TOLERANCES (UNLESS SPECIFIED)											
ANGULAR TOL		± 3.0 °		EC NO: 612189		2018/03/14					
4 PLACES		± 0.2		DRWN: QHE31		2019/02/18					
3 PLACES		± 0.2		CHK'D: SAKIYAMA		2019/02/18					
2 PLACES		± 0.2		APPR: KOMURAKAMI		2019/02/18					
1 PLACE		± 0.2		INITIAL REVISION:							
0 PLACES		± 0.2		DRWN: QHE31		2018/03/14					
				APPR: KOMURAKAMI		2019/02/18					
DRAFT WHERE APPLICABLE MUST REMAIN WITHIN DIMENSIONS				THIRD ANGLE PROJECTION		DRAWING		SERIES		MATERIAL NUMBER	
						A3-SIZE		504050		SEE CHART OF SHEET 1	
DOCUMENT STATUS				P1		RELEASE DATE		2019/02/18 09:34:43		DOCUMENT NUMBER	
										5040500000-SD	
										DOC TYPE	
										PSD	
										DOC PART	
										000	
										REVISION	
										A	
										SHEET NUMBER	
										2 OF 3	



NOTE

- 梱包数量 : 2700個 / リール
NUMBER OF CONNECTORS : 2700 PIECES/REEL
 - リードテープ長さ
LEAD TAPE LENGTH
-
- 空インボス 20PIECES MIN.
NUMBER OF EMPTY PART
- 引き出し方向
PULL OUT DIRECTION
- 400MIN.
- 部品挿入部
COMPONENT SUPPLIER
- 400MIN.
- 末端部 (空部)
TAIL PART (EMPTY)
- 材料
MATERIALS
キャリアテープ:ポリスチレン(PS)
CARRIER TAPE : POLYSTYRENE(PS)
トップテープ:ポリエチレン(PE)、ポリエチレンテレフタレート(PET)
TOP TAPE : POLYETHYLENE(PE) ,
POLYETHYLENE TEREPHTHALATE(PET)
リール:ポリスチレン(PS) (リサイクル材を含む)
REEL : POLYSTYRENE(PS) (RECYCLE MATERIAL CONTAINED)
 - ELV及びRoHS適合品
ELV AND RoHS COMPLIANT.
 - トップテープの剥離強度については、IEC 6 0 2 8 6 - 3に準拠。
TOP TAPE PEEL FORCE IS DEFINED BY IEC60286-3.
 - 梱包仕様書 : SPK-504050-001.
PACKING INFORMATION SPK-504050-001.

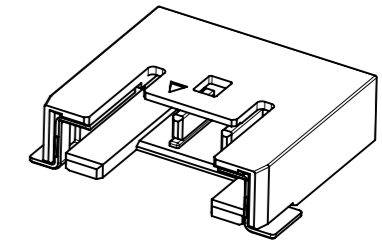
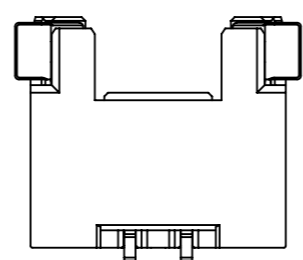
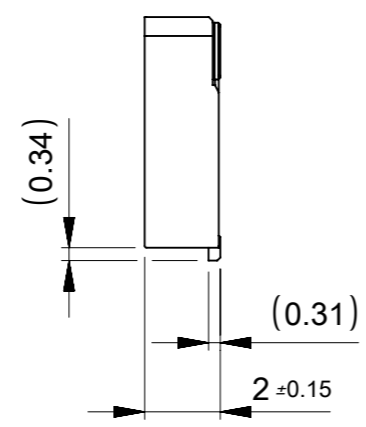
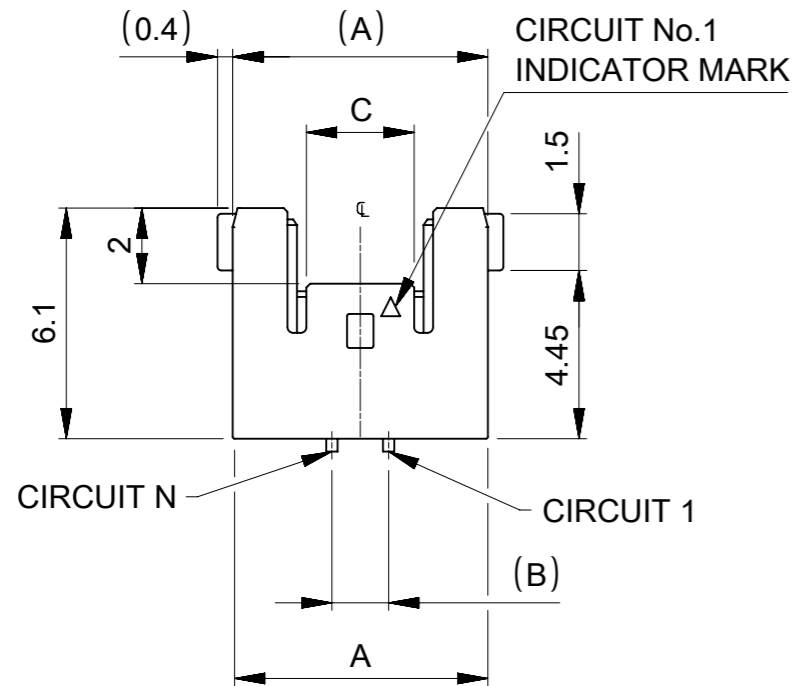
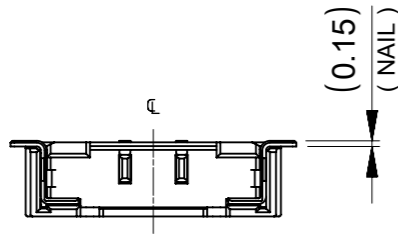


45.5	20.2	44	5040501291	12
33.5	14.2	32	5040501091	10
33.5	14.2	32	5040500891	8
25.5	11.5	24	5040500791	7
25.5	11.5	24	5040500691	6
25.5	11.5	24	5040500591	5
25.5	11.5	24	5040500491	4

D	E	F	発注番号 ORDER NO.	極数 CIRCUIT SIZE
梱包状態 : インボス梱包 PACKAGING : EMBOSSED TAPE AND REEL				

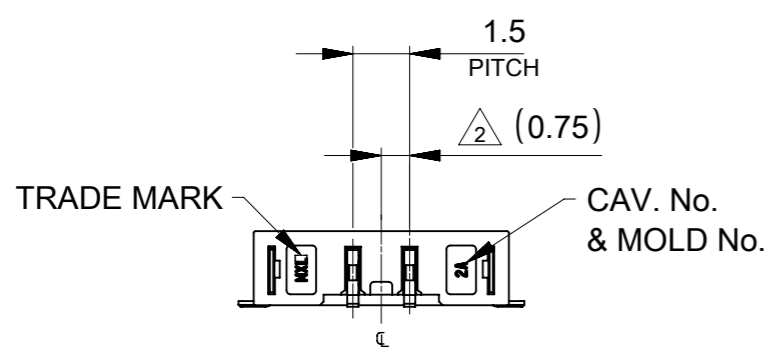
THIS DRAWING CONTAINS INFORMATION THAT IS PROPRIETARY TO MOLEX ELECTRONIC TECHNOLOGIES, LLC AND SHOULD NOT BE USED WITHOUT WRITTEN PERMISSION

DIMENSION UNITS mm	SCALE NTS	CURRENT REV DESC: REDRAWN AND REVISED	molex		
GENERAL TOLERANCES (UNLESS SPECIFIED)					
ANGULAR TOL	± 3.0 °	EC NO: 612189	PRODUCT CUSTOMER DRAWING		
4 PLACES	± 0.2	DRWN: QHE31 2018/03/14			
3 PLACES	± 0.2	CHK'D: SAKIYAMA 2019/02/18	DOCUMENT NUMBER 5040500000-SD		
2 PLACES	± 0.2	APPR: KOMURAKAMI 2019/02/18			
1 PLACE	± 0.2	INITIAL REVISION:	DOC TYPE	DOC PART	REVISION
0 PLACES	± 0.2	DRWN: QHE31 2018/03/14	PSD	000	A
DRAFT WHERE APPLICABLE MUST REMAIN WITHIN DIMENSIONS		THIRD ANGLE PROJECTION	DRAWING	SERIES	MATERIAL NUMBER
			A3-SIZE	504050	CUSTOMER
					SEE CHART OF SHEET 1
					SHEET NUMBER 3 OF 3



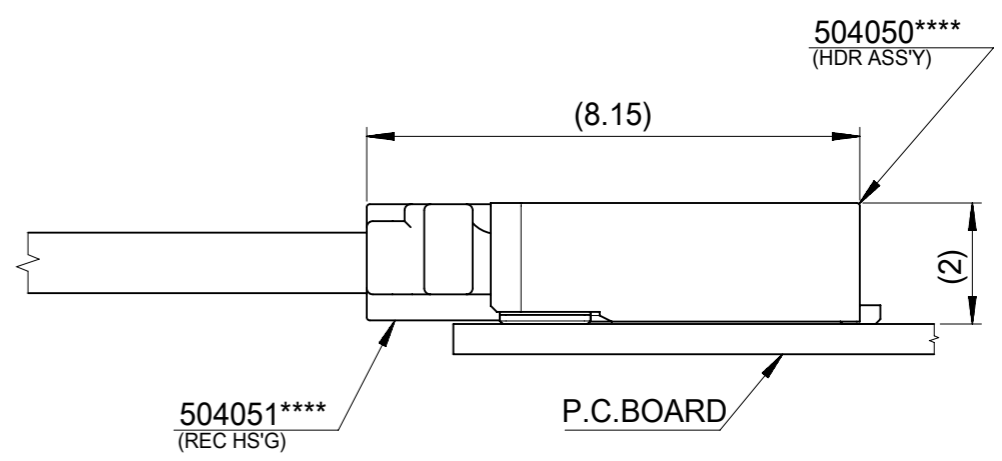
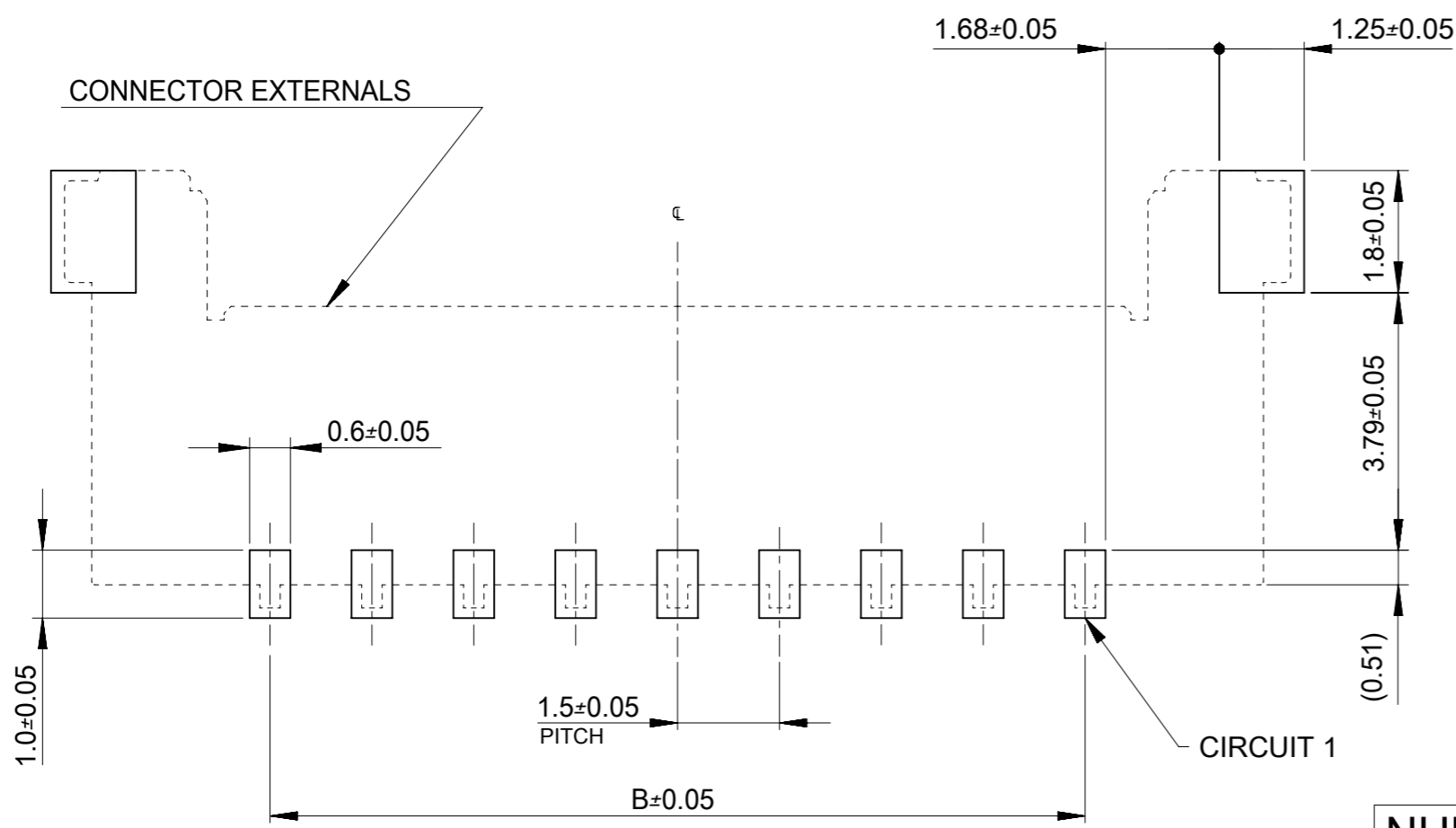
NOTE.

1. 嵌合相手 : 5 0 4 0 5 1 * * * *
MATE WITH : 504051****
- △ 2. 偶数極の製品に適用
APPLY EVEN CIRCUIT PRODUCTS.
3. 材質
MATERIAL
ハウジング : ポリアミド(PA)
UL 9 4 - V 0 BLACK
HOUSING : POLYAMIDE(PA)
UL94-V0 BLACK
ターミナル、ネール : 銅合金
TERMINAL、NAIL: COPPER ALLOY
4. めっき
PLATING
ターミナル : ニッケル下地めっき 1.0micro-meter MIN.、
コンタクト : 金めっき0.1micro-meter MIN. 半田付け部 : 金めっき
TERMINAL : UNDER NICKEL PLATING 1.0micro-meter MIN. CONTACT :
GOLD PLATING0.1micro-meter MIN. TAIL : GOLD PLATING
ネール : ニッケル下地めっき 1.0micro-meter MIN. 錫めっき 1.0micro-meter MIN.
NAIL:UNDER NICKEL PLATING 1.0micro-meter MIN.
TIN PLATING 1.0micro-meter MIN.
5. ソルダーテイルとネイルの平坦度 : 0.08mm MAX.
SOLDER TAIL AND FITTING NAIL COPLANARITY : 0.08mm MAX.
6. ELV及びRoHS適合品
ELV AND RoHS COMPLIANT.
7. 製品仕様及び取扱いについては、製品仕様書PS-504051-001
及びコネクタ取扱説明書AS-504051-001を参照願います。
PLEASE REFER TO PRODUCT SPECIFICATION PS-504051-001
AND APPLICATION SPECIFICATION AS-504051-001.
8. 梱包仕様書 : SPK-504050-001.
PACKING INFORMATION SPK-504050-001.



16.35	15	20.25	11
13.35	12	17.25	9
4.35	3	8.25	3
2.85	1.5	6.75	2
C	B	A	極数 CIRCUIT SIZE

THIS DRAWING CONTAINS INFORMATION THAT IS PROPRIETARY TO MOLEX ELECTRONIC TECHNOLOGIES, LLC AND SHOULD NOT BE USED WITHOUT WRITTEN PERMISSION			
DIMENSION UNITS mm	SCALE NTS	CURRENT REV DESC: REDRAWN AND REVISED	molex
GENERAL TOLERANCES (UNLESS SPECIFIED)		EC NO: 612189	
ANGULAR TOL	± 3.0 °	DRWN: QHE31 2019/01/22	PICO-LOCK1.5 HDRASSY SGLRW R/A ETP H=2 FOR CIRCUIT SIZE 2,3,9,11
4 PLACES	± 0.2	CHK'D: SAKIYAMA 2019/02/18	PRODUCT CUSTOMER DRAWING
3 PLACES	± 0.2	APPR: KOMURAKAMI 2019/02/18	
2 PLACES	± 0.2	INITIAL REVISION:	DOCUMENT NUMBER
1 PLACE	± 0.2	DRWN: QHE31 2019/01/22	5040500000-SD
0 PLACES	± 0.2	APPR: KOMURAKAMI 2019/02/18	DOC TYPE DOC PART REVISION PSD 001 A
DRAFT WHERE APPLICABLE MUST REMAIN WITHIN DIMENSIONS	THIRD ANGLE PROJECTION	DRAWING A3-SIZE	SHEET NUMBER 1 OF 3

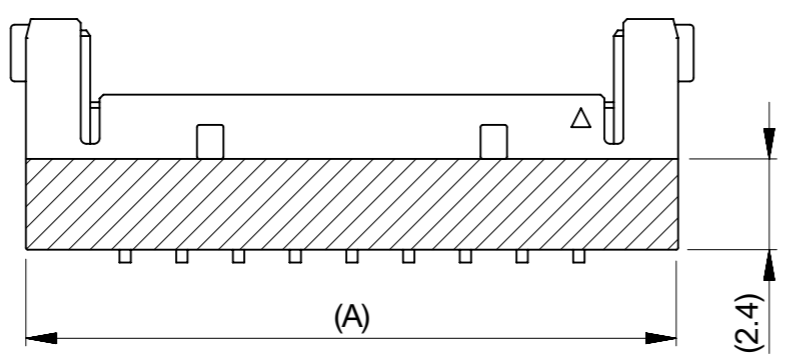


MATED CONNECTORS

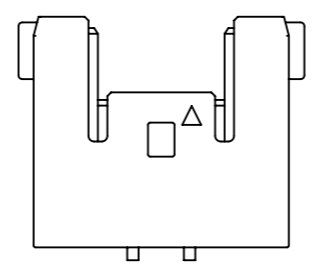
RECOMMENDED PATTERN LAYOUT (REF.)

推奨メタルマスク厚さ:0.1mm、開口率:100%。
RECOMMEND STENCIL MASK THICKNESS: 0.1mm, APERTURE RATIO: 100%.

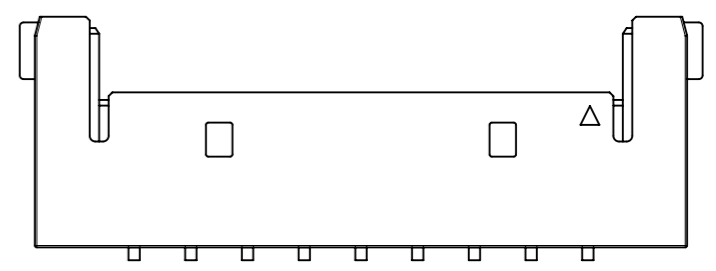
吸着エリア
PICK-UP AREA



NUMBER of LOCK

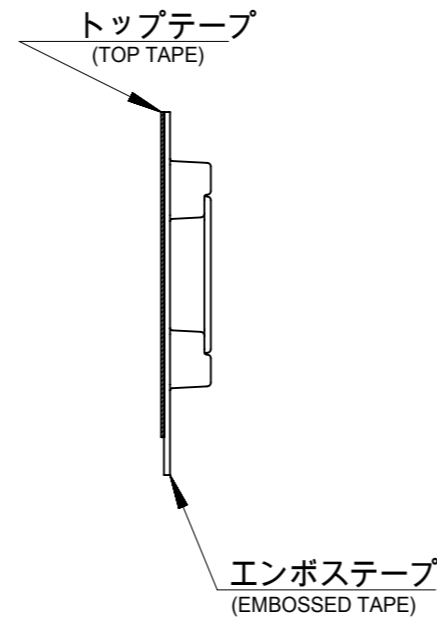
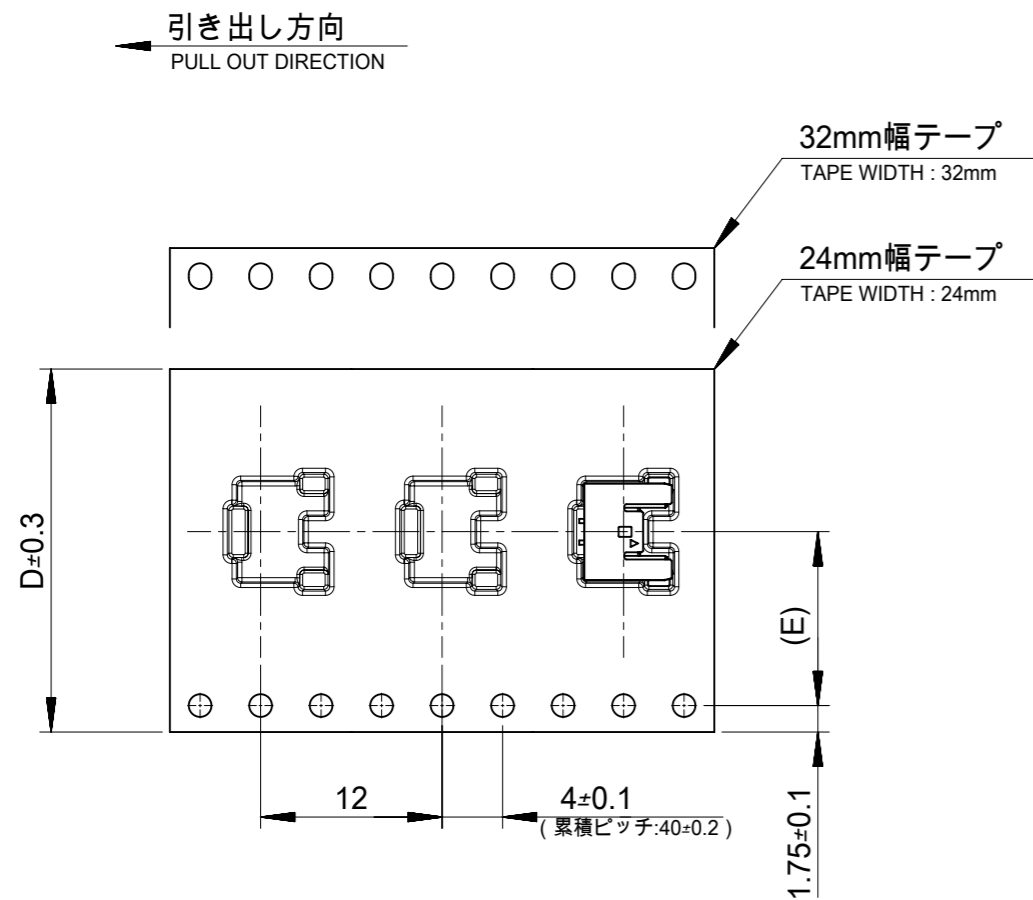


2,3 CIRCUITS



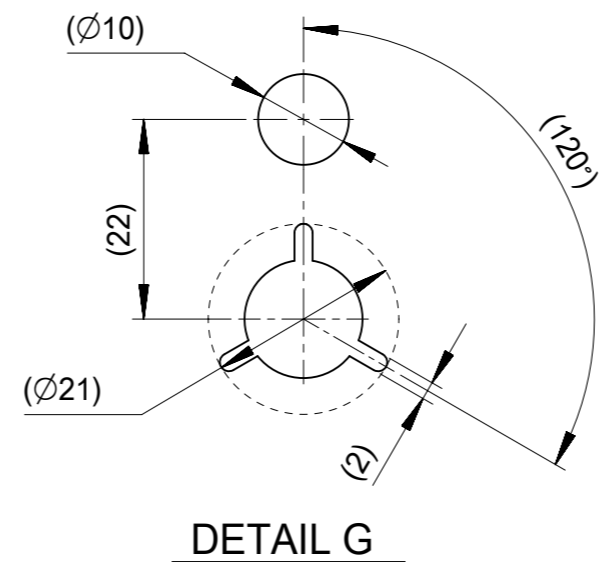
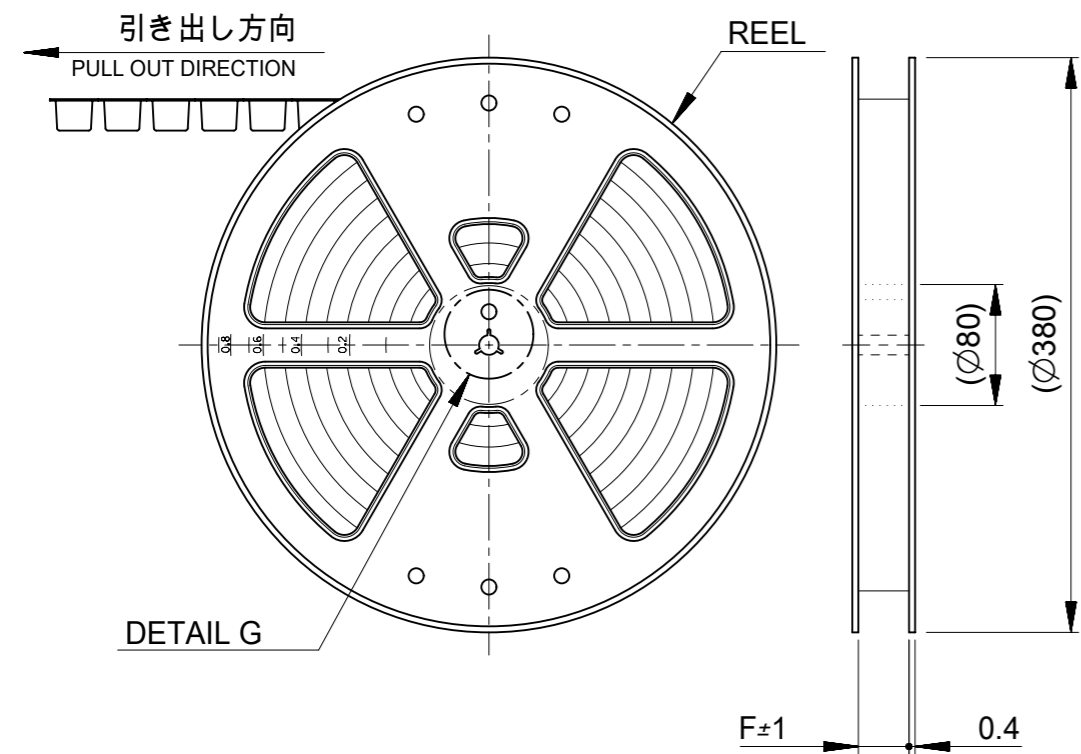
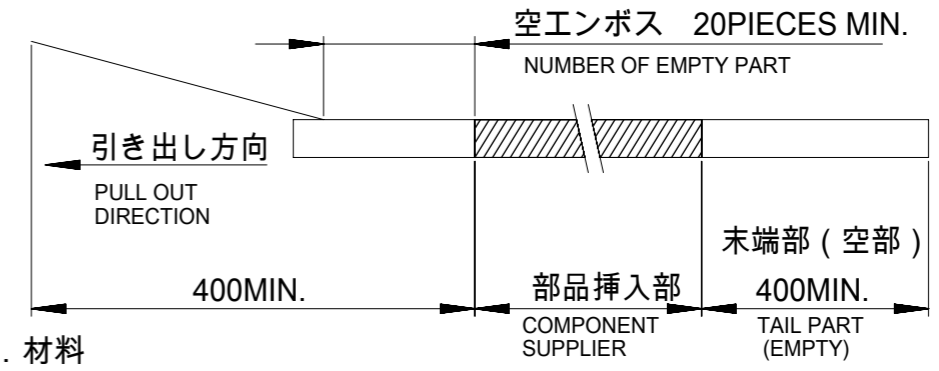
9,11 CIRCUITS

THIS DRAWING CONTAINS INFORMATION THAT IS PROPRIETARY TO MOLEX ELECTRONIC TECHNOLOGIES, LLC AND SHOULD NOT BE USED WITHOUT WRITTEN PERMISSION											
DIMENSION UNITS		SCALE		CURRENT REV DESC: REDRAWN AND REVISED				molex		PICO-LOCK1.5 HDRASSY SGLRW R/A ETP H=2 FOR CIRCUIT SIZE 2,3,9,11	
mm		NTS									
GENERAL TOLERANCES (UNLESS SPECIFIED)											
ANGULAR TOL		± 3.0 °		EC NO: 612189		2019/01/22					
4 PLACES		± 0.2		DRWN: QHE31		2019/02/18					
3 PLACES		± 0.2		CHK'D: SAKIYAMA		2019/02/18					
2 PLACES		± 0.2		APPR: KOMURAKAMI		2019/02/18					
1 PLACE		± 0.2		INITIAL REVISION:				DOCUMENT NUMBER		DOC TYPE DOC PART REVISION	
0 PLACES		± 0.2		DRWN: QHE31		2019/01/22		5040500000-SD		PSD 001 A	
				APPR: KOMURAKAMI		2019/02/18		MATERIAL NUMBER		CUSTOMER	
DRAFT WHERE APPLICABLE MUST REMAIN WITHIN DIMENSIONS		THIRD ANGLE PROJECTION		DRAWING		SERIES		SEE CHART OF SHEET 1		SHEET NUMBER	
				A3-SIZE		504050				2 OF 3	



NOTE

- 梱包数量 : 2700個 / リール
NUMBER OF CONNECTORS : 2700 PIECES/REEL
- リードテープ長さ
LEAD TAPE LENGTH
- 材料
MATERIALS
キャリアテープ:ポリスチレン(PS)
CARRIER TAPE : POLYSTYRENE(PS)
トップテープ:ポリエチレン(PE)、ポリエチレンテレフタレート(PET)
TOP TAPE :POLYETHLENE(PE) ,
POLYETHYLENE TEREPHTHALATE(PET)
リール:ポリスチレン(PS) (リサイクル材を含む)
REEL : POLYSTYRENE(PS) (RECYCLE MATERIAL CONTAINED)
- ELV及びRoHS適合品
ELV AND RoHS COMPLIANT.
- トップテープの剥離強度については、IEC 6 0 2 8 6 - 3に準拠。
TOP TAPE PEEL FORCE IS DEFINED BY IEC60286-3.
- 梱包仕様書 : SPK-504050-001.
PACKING INFORMATION SPK-504050-001.



33.5	14.2	32	5040501191	11
33.5	14.2	32	5040500991	9
25.5	11.5	24	5040500391	3
25.5	11.5	24	5040500291	2
D	E	F	発注番号 ORDER NO.	極数 CIRCUIT SIZE

梱包状態 : エンボス梱包
PACKAGING : EMBOSSSED TAPE AND REEL

THIS DRAWING CONTAINS INFORMATION THAT IS PROPRIETARY TO MOLEX ELECTRONIC TECHNOLOGIES, LLC AND SHOULD NOT BE USED WITHOUT WRITTEN PERMISSION

DIMENSION UNITS	SCALE	CURRENT REV DESC: REDRAWN AND REVISED	molex		
mm	NTS				
GENERAL TOLERANCES (UNLESS SPECIFIED)			PICO-LOCK1.5 HDRASSY SGLRW R/A ETP H=2 FOR CIRCUIT SIZE 2,3,9,11		
ANGULAR TOL	± 3.0 °	EC NO: 612189	PRODUCT CUSTOMER DRAWING		
4 PLACES	± 0.2	DRWN: QHE31 2019/01/22	DOCUMENT NUMBER		
3 PLACES	± 0.2	CHK'D: SAKIYAMA 2019/02/18	DOC TYPE DOC PART REVISION		
2 PLACES	± 0.2	APPR: KOMURAKAMI 2019/02/18	5040500000-SD PSD 001 A		
1 PLACE	± 0.2	INITIAL REVISION:	MATERIAL NUMBER CUSTOMER SHEET NUMBER		
0 PLACES	± 0.2	DRWN: QHE31 2019/01/22	SEE CHART OF SHEET 1		
DRAFT WHERE APPLICABLE MUST REMAIN WITHIN DIMENSIONS		THIRD ANGLE PROJECTION	DRAWING	SERIES	
			A3-SIZE	504050	