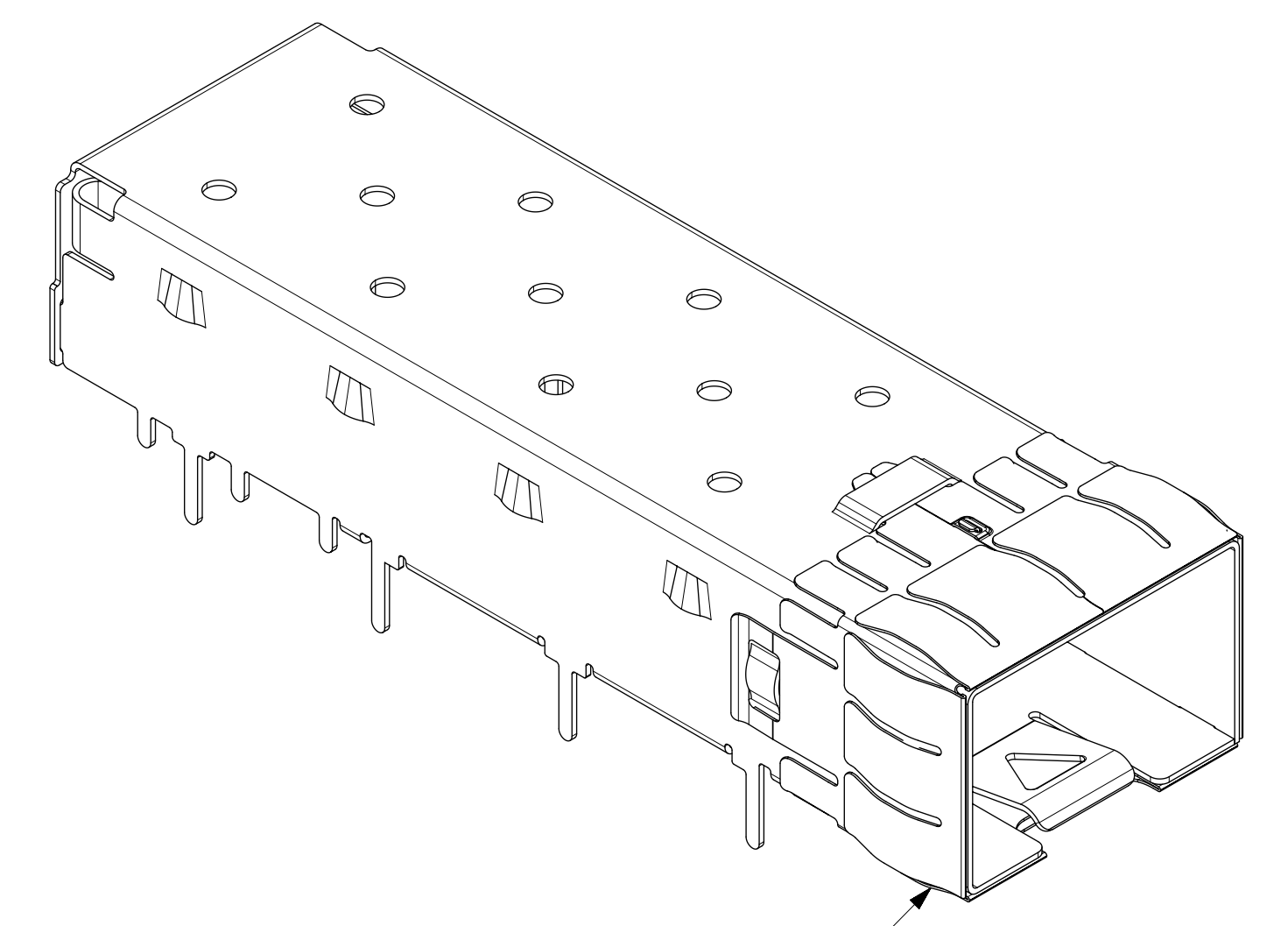
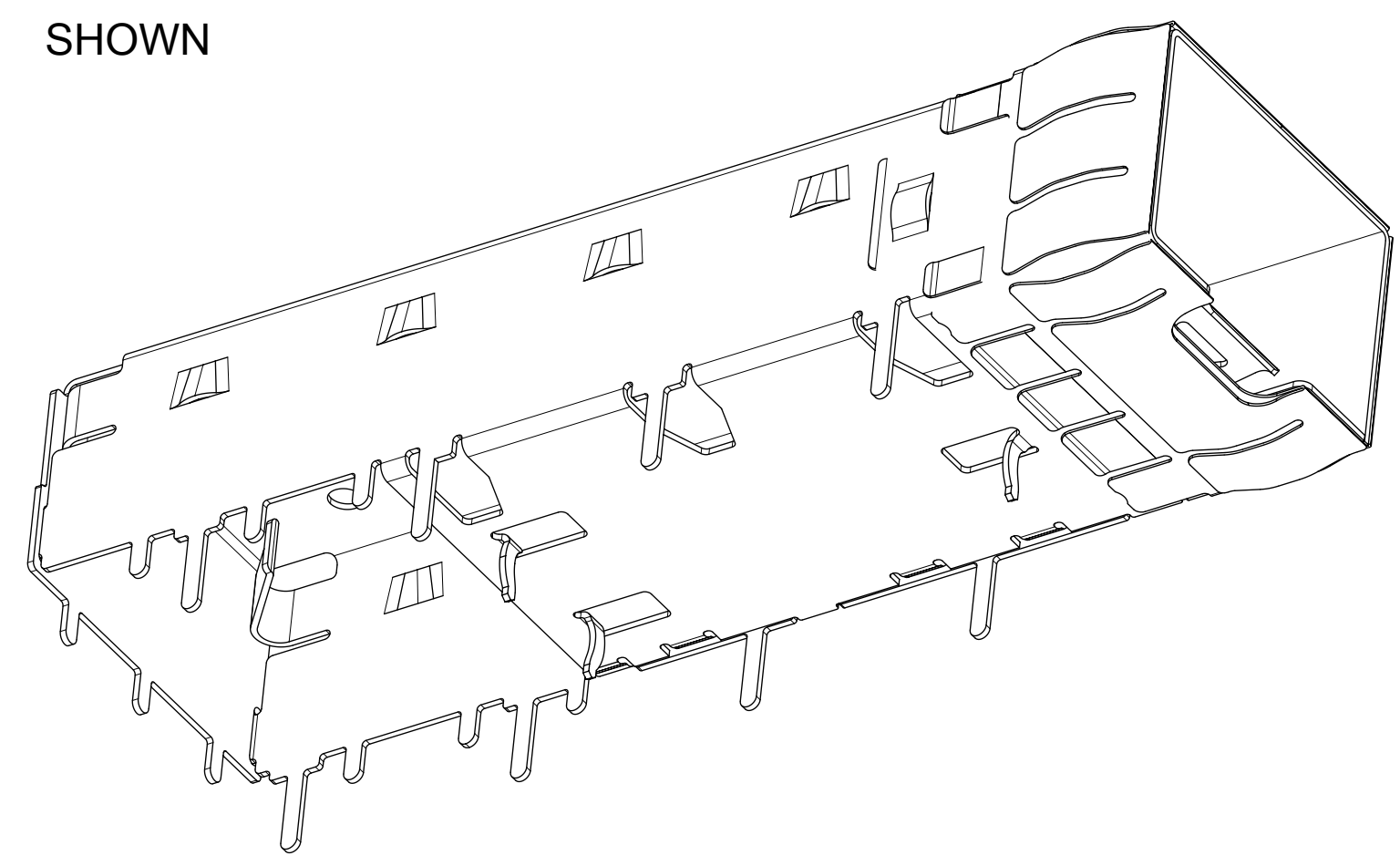
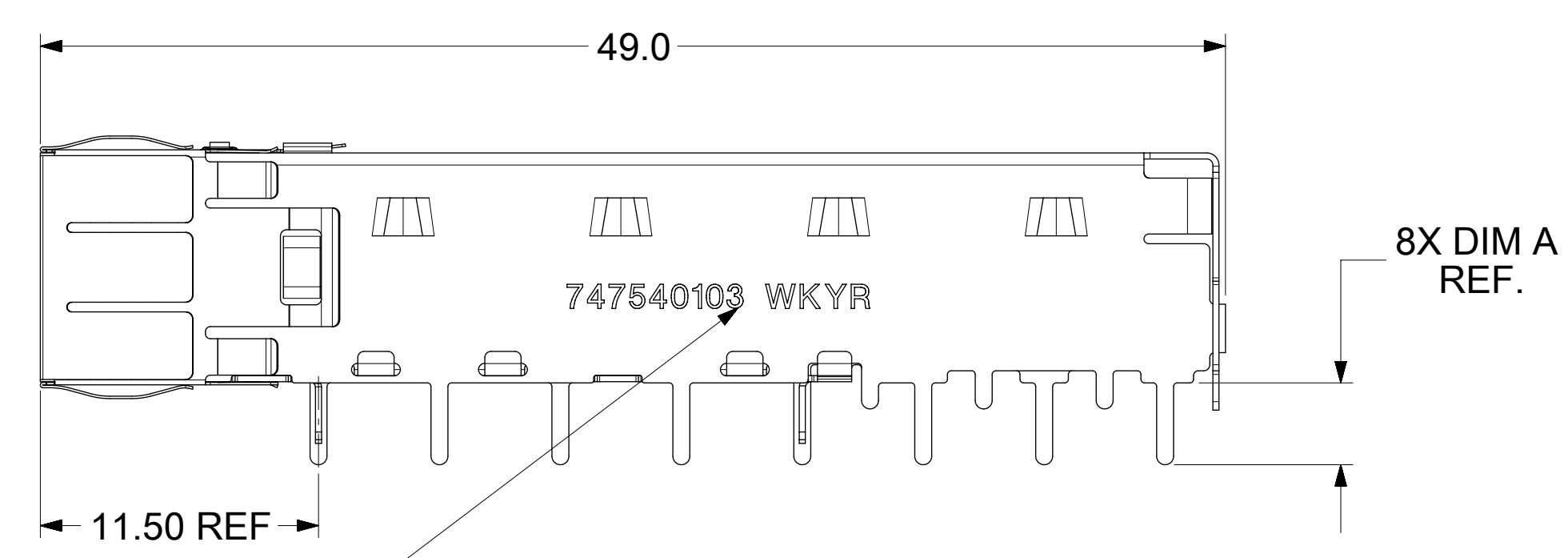
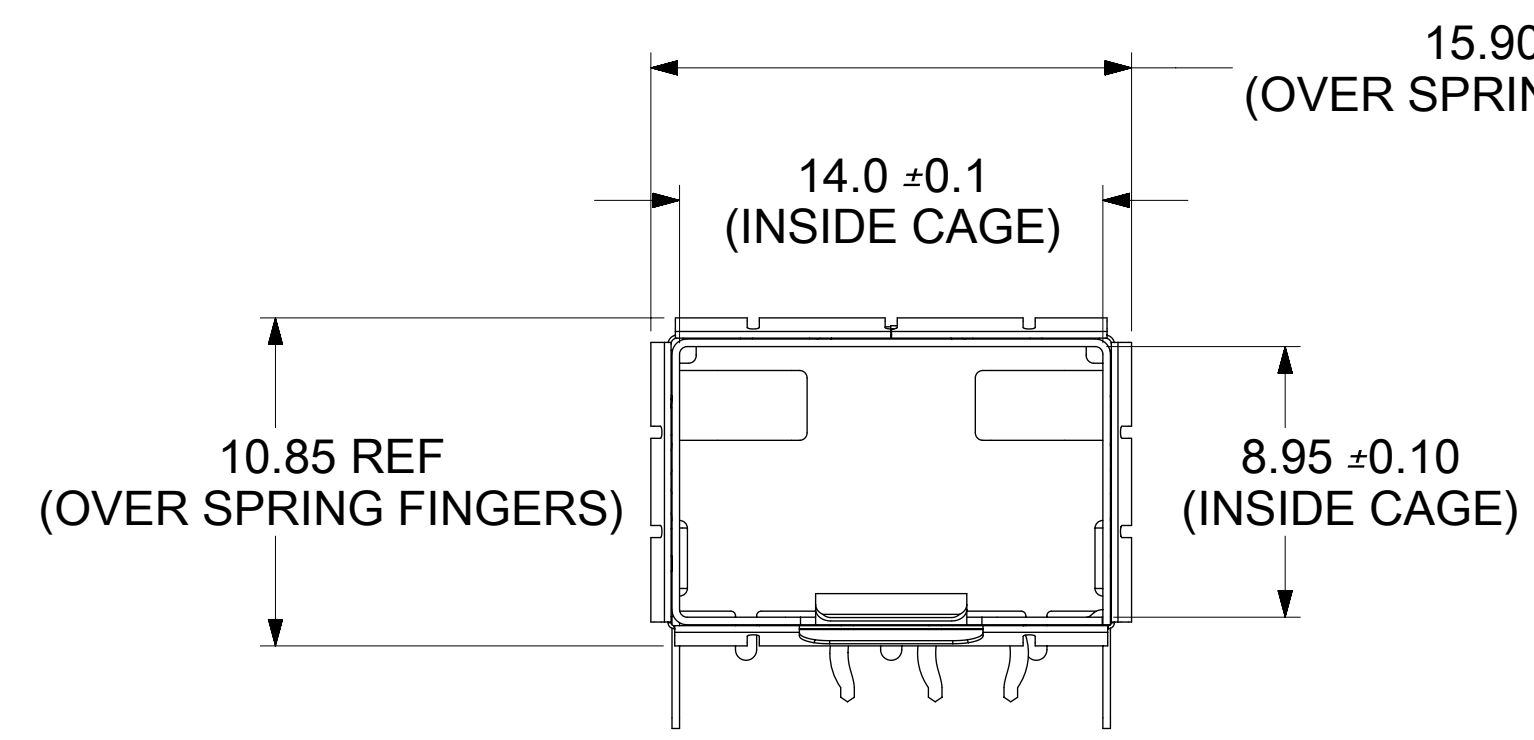


747540103

SHOWN



EMI SPRING



P/N AND WEEK/YEAR DATE CODE TO BE PRINTED / STAMPED ON THE SIDE OF COMPLETED CAGE ASSEMBLY AS SHOWN.

SEE TABLE BELOW FOR DATE CODE INFORMATION.

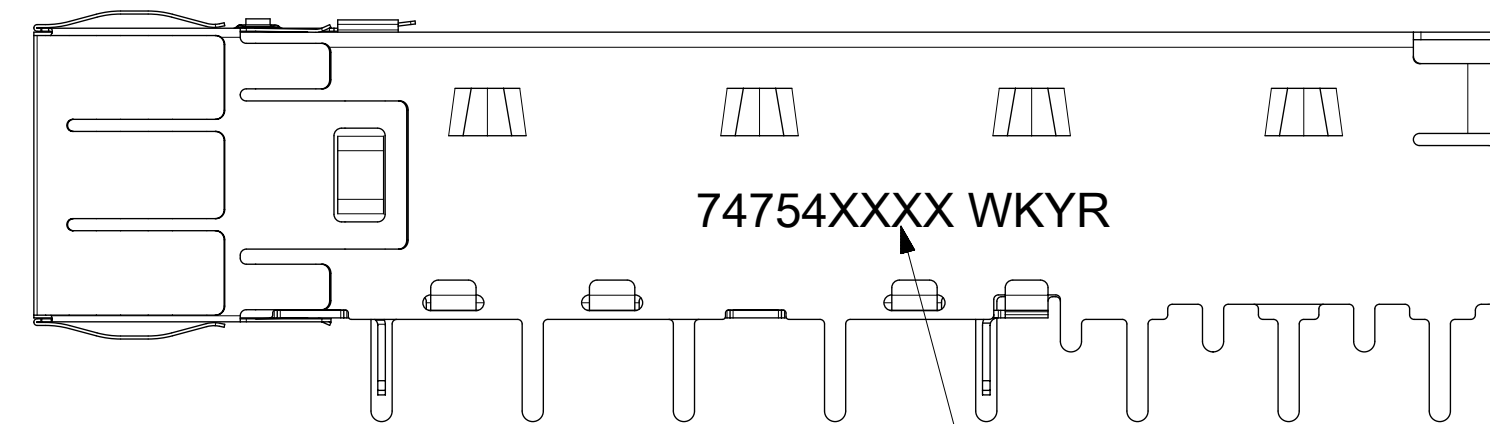
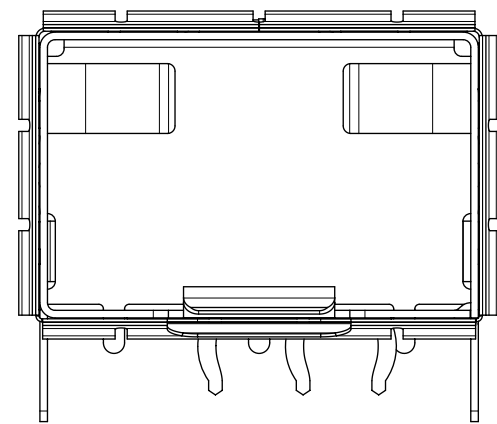
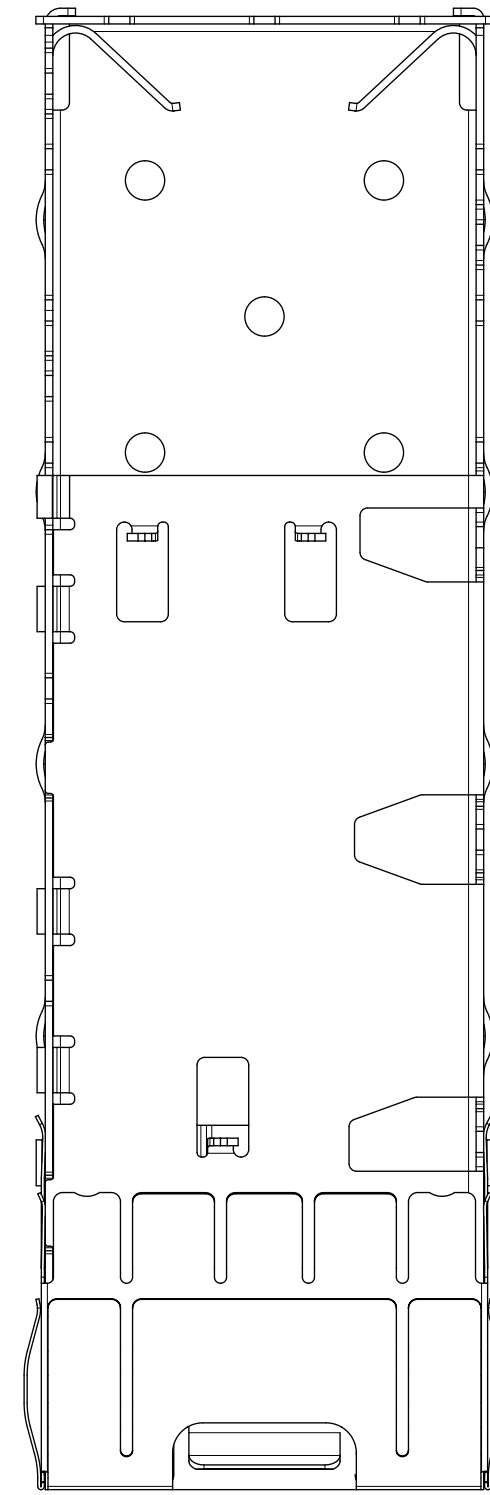
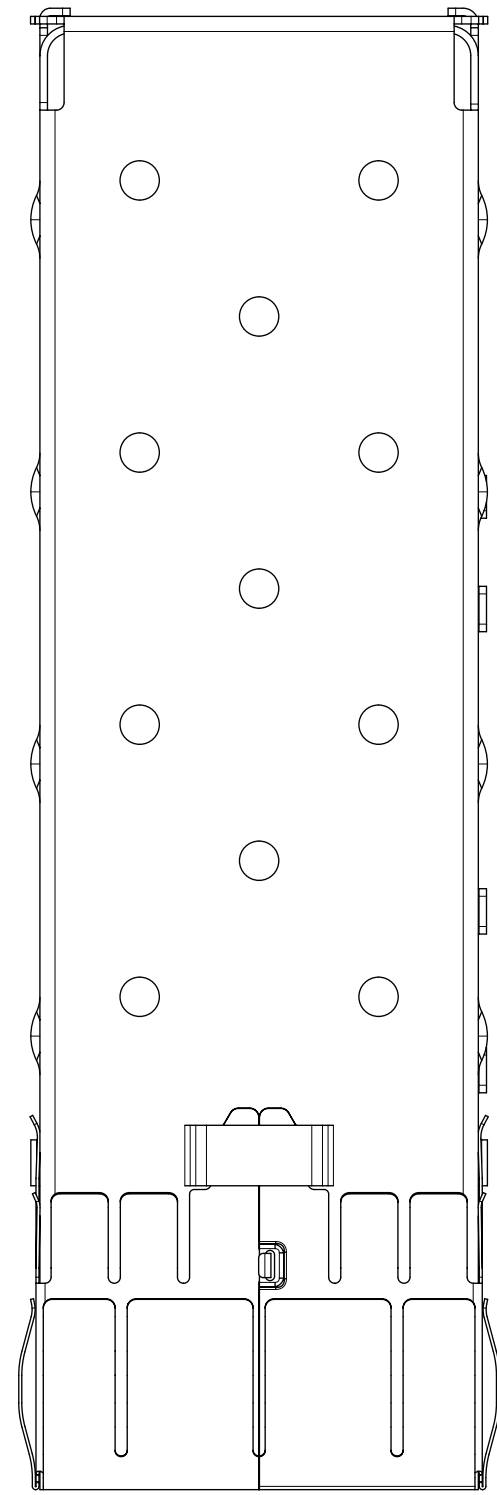
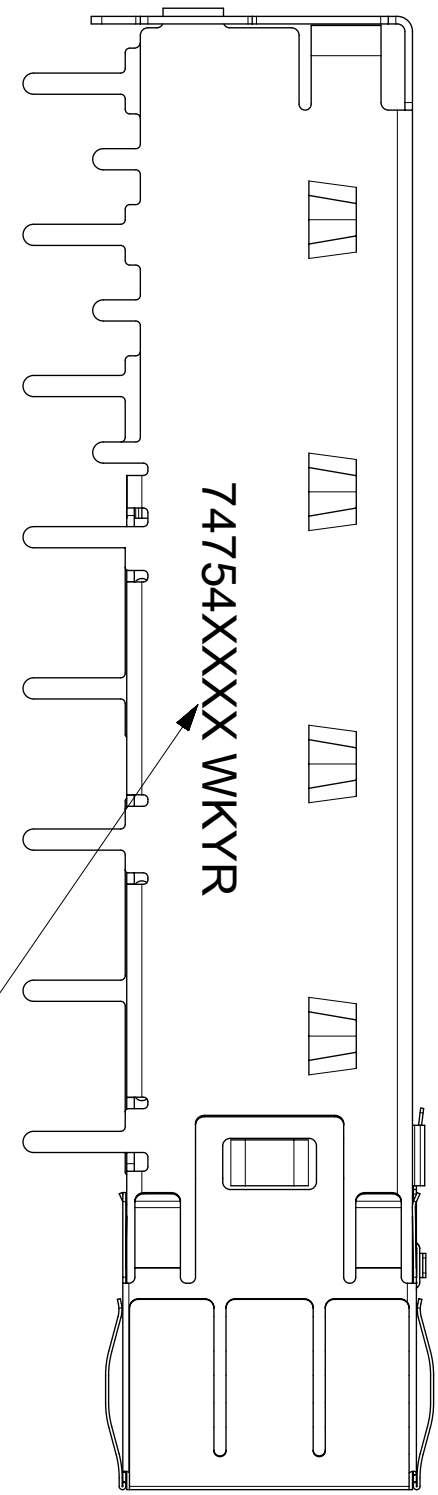
WEEK/YEAR DATE CODE TABLE	
WK	WEEK OF THE YEAR 01 THRU 52 (EXAMPLE: 01= FIRST WEEK OF YEAR 52= LAST WEEK OF YEAR)
YR	16, 17, 18 ETC.. (EXAMPLE: YEAR 2016= 16)

SFP+ 1X1 CAGE					
PART NO.	PLATING	DIM, A	SF THICKNESS	PACKING	SHEET NO.
747540103	PRE-PLATED WITH NICKEL	3.38	0.10mm	TRAY	SHEET 1
747540120	UNPLATED	3.38	0.10mm	TRAY	SHEET 2
747540134	PRE-PLATED WITH NICKEL	2.80	0.10mm	TRAY	SHEET 2
747540901	PRE-PLATED WITH NICKEL	2.20	0.08mm	TRAY	SHEET 2
747548103	MATT TIN	2.80	0.10mm	T & R	SHEET 2
747540906	PRE-PLATED WITH NICKEL	2.20	0.08mm	T & R	SHEET 2

NOTES:

- MATERIAL:
CAGE: COPPER ALLOY, THICKNESS 0.25mm
SPRING FINGER: NICKEL PLATED COPPER ALLOY (THICKNESS REFER P/N TABLE).
- OPTIONAL LIGHT PIPE ASSEMBLY AVAILABLE
- PORTS ARE DESIGNED FOR SFP+ TRANSCEIVERS AND ARE BACKWARDS COMPATIBLE WITH SFP TRANSCEIVERS
- NO RoHS EXEMPTIONS
- WITHOUT ANY DISCOLORATION AFTER IR REFLOW TEST (REFER TO PS OF 747540001)

QUALITY SYMBOLS ▽ = 0 ▽ = 0 ▽ = 0 ▽ = 0 ▽ = 0 ▽ = 0 ▽ = 0 ▽ = 0 ▽ = 0	THIS DRAWING CONTAINS INFORMATION THAT IS PROPRIETARY TO MOLEX ELECTRONIC TECHNOLOGIES, LLC AND SHOULD NOT BE USED WITHOUT WRITTEN PERMISSION	GENERAL TOLERANCES (UNLESS SPECIFIED) ANGULAR TOL ± 1.0 ° 4 PLACES ± 3 PLACES ± 2 PLACES ± 0.15 1 PLACE ± 0.25 0 PLACES ± DRAFT WHERE APPLICABLE MUST REMAIN WITHIN DIMENSIONS	DIMENSION UNITS	SCALE	
			mm	4:1	
			DRWN BY	DATE	
			BTEJA	2016/02/29	
SEE REVISION TABLE EC NO: 121519 DRWN: TKUMARKC CHKD: DSUN15 REV: APPR: RCHEN08	R	DIMENSION UNITS D	DRWN BY	DATE	PRODUCT CUSTOMER DRAWING SERIES: 74754 MATERIAL NUMBER: SEE P/N TABLE CUSTOMER:
			CHKD BY	DATE	
			APPR BY	DATE	
			DSUN15	2016/03/03	
DRAWING SIZE: D			THIRD ANGLE PROJECTION		DOCUMENT NUMBER: 747540103 DOC TYPE: PSD DOC PART: ASY SHEET NUMBER: 1 OF 5



P/N AND WEEK/YEAR DATE CODE TO BE PRINTED ON THE SIDE OF COMPLETED CAGE ASSEMBLY AS SHOWN.

SEE TABLE BELOW FOR DATE CODE INFORMATION.

WEEK/YEAR DATE CODE TABLE	
WK	WEEK OF THE YEAR 01 THRU 52 (EXAMPLE: 01= FIRST WEEK OF YEAR 52= LAST WEEK OF YEAR)
YR	16, 17, 18 ETC.. (EXAMPLE: YEAR 2016= 16)

MOLEX INTERNAL USE ONLY

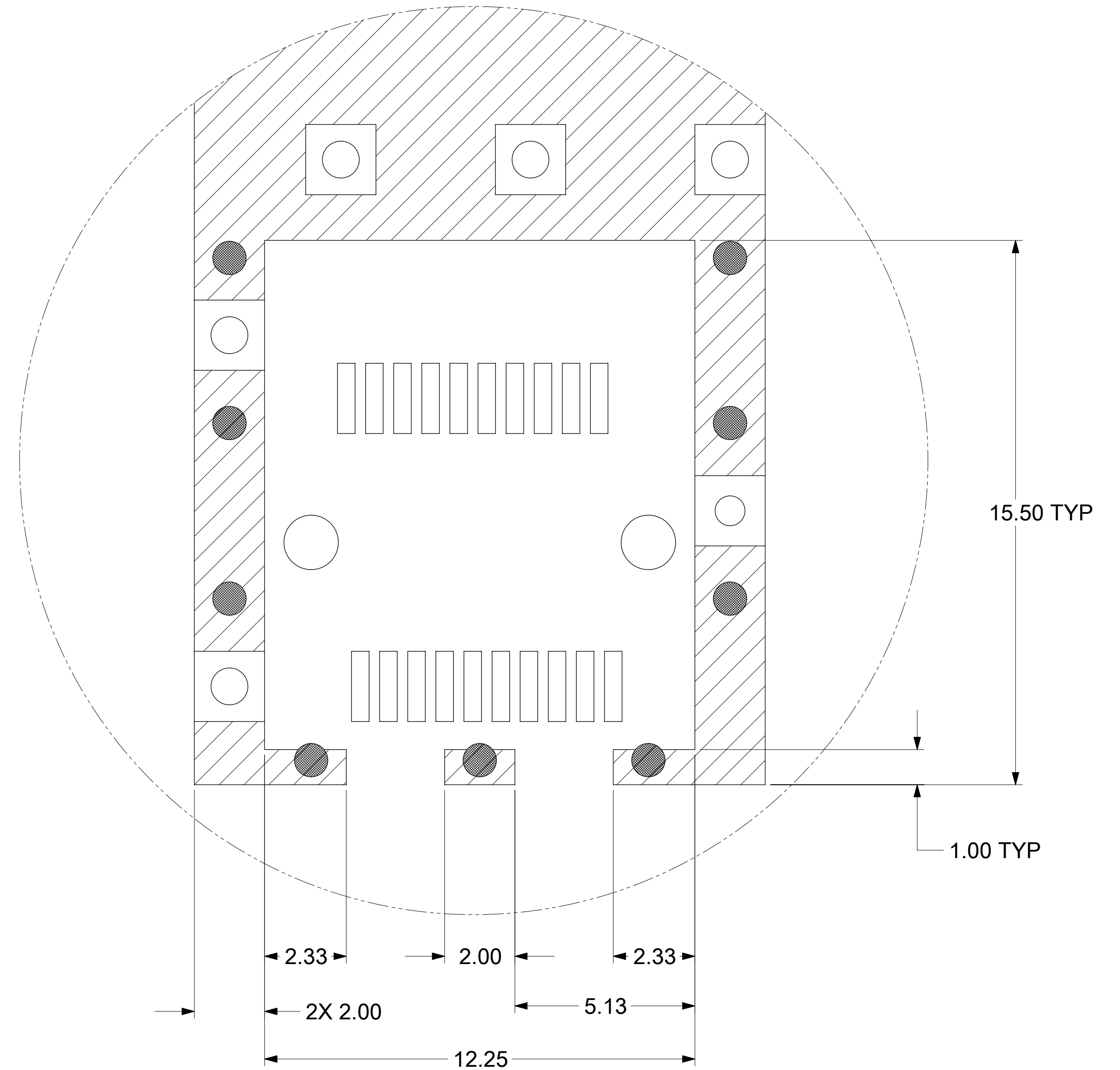
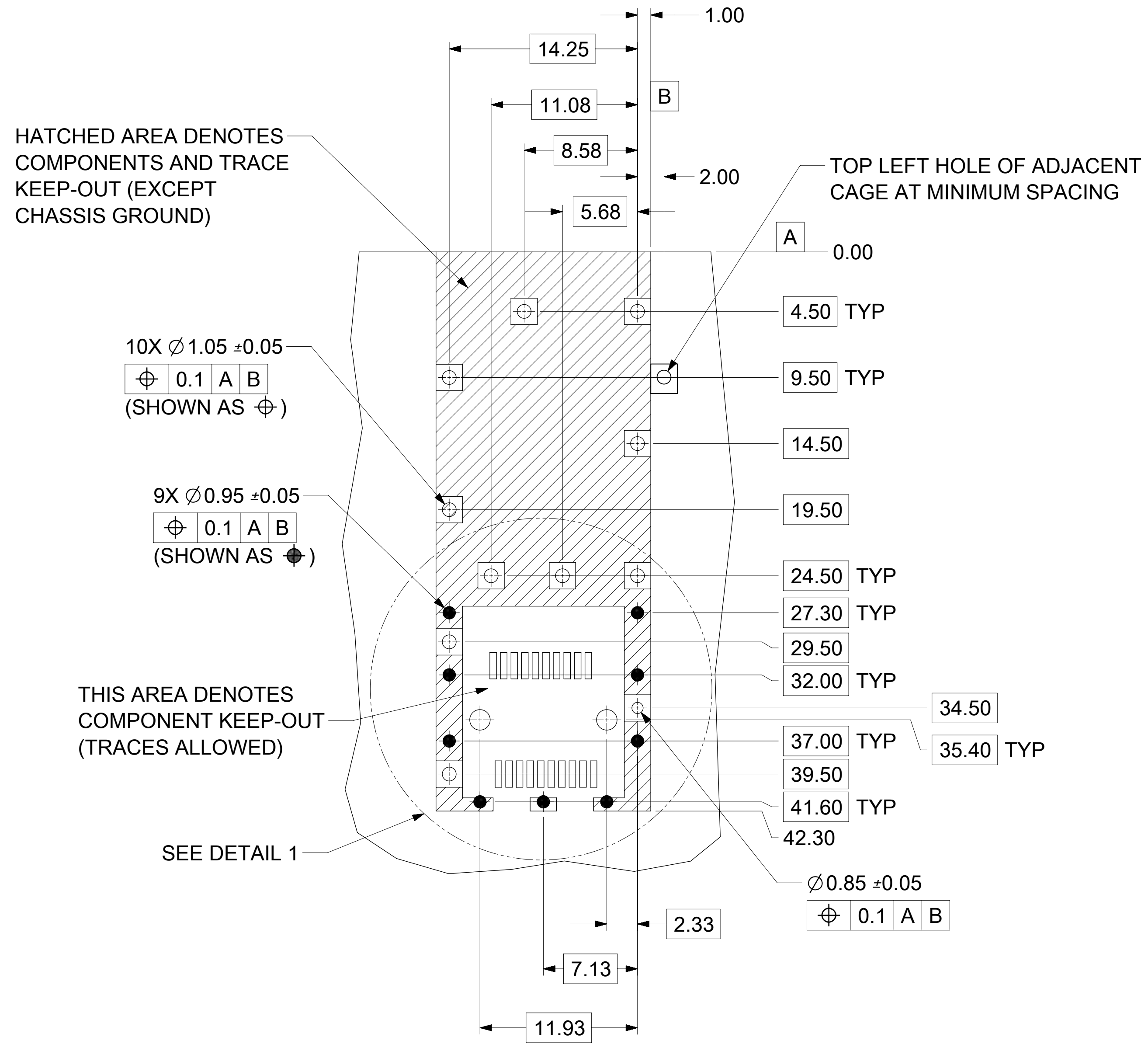
NOTES:

1. ALL DIMENSIONS ARE REFER TO SHEET 1

PART NO.
747540120
747540134
747540901
747548103
747540906

QUALITY SYMBOLS F = 0 E = 0 D = 0 C = 0 B = 0 A = 0 R = 0		THIS DRAWING CONTAINS INFORMATION THAT IS PROPRIETARY TO MOLEX ELECTRONIC TECHNOLOGIES, LLC AND SHOULD NOT BE USED WITHOUT WRITTEN PERMISSION		DIMENSION UNITS: mm SCALE: 4:1		molex SFP+ 1X1 CAGE ASSEMBLY WITH SPRING FINGERS AND SOLDER POST LEGS	
GENERAL TOLERANCES (UNLESS SPECIFIED) ANGULAR TOL ± 1.0 ° 4 PLACES ± 3 PLACES ± 2 PLACES ± 0.15 1 PLACE ± 0.25 0 PLACES ± DRAFT WHERE APPLICABLE MUST REMAIN WITHIN DIMENSIONS		DRWN BY: BTEJA DATE: 2016/02/29 CHKD BY: DSUN15 DATE: 2016/03/03 APPR BY: RCHEN08 DATE: 2016/03/08		PRODUCT CUSTOMER DRAWING		SERIES: 74754 MATERIAL NUMBER: SEE P/N TABLE CUSTOMER:	
EC NO: 121519 DRWN: TKUMARKC CHKD: DSUN15 REV: APPR: RCHEN08		SEE REVISION TABLE		DRAWING SIZE: D THIRD ANGLE PROJECTION		DOCUMENT NUMBER: 747540103 DOC TYPE: PSD DOC PART: ASY SHEET NUMBER: 2 OF 5	

PCB LAYOUT FOR SINGLE SIDE MOUNT

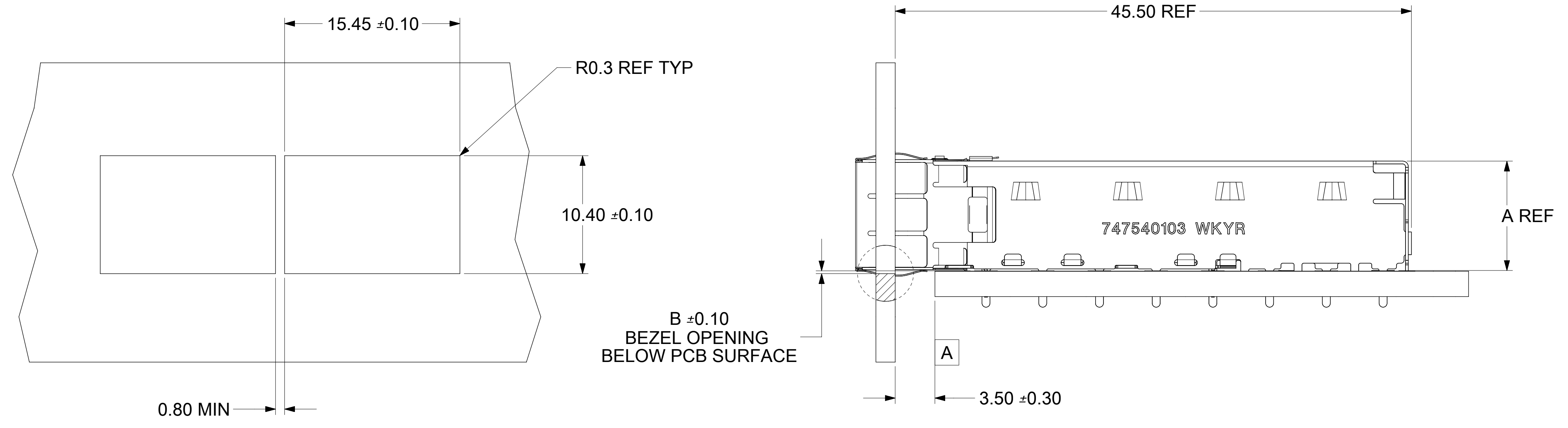


DETAIL 1
 SCALE 10:1
 HOST CONNECTOR DETAIL

- NOTES:
- PADS AND VIAS CONNECT TO CHASSIS GROUND (RECOMMEND PADS TO BE 2.00mm SQUARE)
 - RECOMMENDED THRU HOLE PLATING INCLUDES HASL, OSP, OR IMMERSION (GOLD, SILVER, OR TIN).
 - CONNECTOR PAD LAYOUT PER SFP+ MSA WILL ACCOMMODATE MOLEX CONNECTOR SERIES 74441 OR EQUIVALENT.

QUALITY SYMBOLS	THIS DRAWING CONTAINS INFORMATION THAT IS PROPRIETARY TO MOLEX ELECTRONIC TECHNOLOGIES, LLC AND SHOULD NOT BE USED WITHOUT WRITTEN PERMISSION										
	F = 0 E = 0 E = 0 = 0 C = 0 = 0 = 0 = 0		SEE REVISION TABLE EC NO: 121519 DRWN: TKUMARKC CHKD: DSUN15 REV APPR: RCHEN08		GENERAL TOLERANCES (UNLESS SPECIFIED) ANGULAR TOL $\pm 1.0^\circ$ 4 PLACES \pm 3 PLACES \pm 2 PLACES ± 0.15 1 PLACE ± 0.25 0 PLACES \pm DRAFT WHERE APPLICABLE MUST REMAIN WITHIN DIMENSIONS		DIMENSION UNITS: mm SCALE: 4:1 DRWN BY: BTEJA DATE: 2016/02/29 CHKD BY: DSUN15 DATE: 2016/03/03 APPR BY: RCHEN08 DATE: 2016/03/08		molex® SFP+ 1X1 CAGE ASSEMBLY WITH SPRING FINGERS AND SOLDER POST LEGS PRODUCT CUSTOMER DRAWING		SERIES: 74754 MATERIAL NUMBER: SEE P/N TABLE CUSTOMER:
RELEASE STATUS: P1 RELEASE DATE: 07.09.2017 14:07:19		R		D		D		D		DOCUMENT NUMBER: 747540103 DOC TYPE: PSD DOC PART: ASY SHEET NUMBER: 3 OF 5	

BEZEL AND BOARD POSITION DIMENSIONS FOR SINGLE SIDE MOUNTING (SPRING FINGER)



SFP+ 1X1 CAGE		
PART NO.	DIME A	DIM B
747540103	9.47	0.43
747540120	9.47	0.43
747540134	9.65	0.25
747540901	9.47	0.43
747548103	9.65	0.25
747540906	9.47	0.43

QUALITY SYMBOLS F = 0 E = 0 D = 0 C = 0 B = 0 A = 0 R = 0	THIS DRAWING CONTAINS INFORMATION THAT IS PROPRIETARY TO MOLEX ELECTRONIC TECHNOLOGIES, LLC AND SHOULD NOT BE USED WITHOUT WRITTEN PERMISSION										
	SEE REVISION TABLE EC NO: 121519 DRWN: TKUMARKC CHKD: DSUN15 REV APPR: RCHEN08	GENERAL TOLERANCES (UNLESS SPECIFIED)		DIMENSION UNITS	SCALE	<p style="text-align: center;">SFP+ 1X1 CAGE ASSEMBLY WITH SPRING FINGERS AND SOLDER POST LEGS</p> <p style="text-align: center;">PRODUCT CUSTOMER DRAWING</p> SERIES: 74754 MATERIAL NUMBER: SEE P/N TABLE CUSTOMER: DOCUMENT NUMBER: 747540103 DOC TYPE: PSD DOC PART: ASY SHEET NUMBER: 4 OF 5					
		ANGULAR TOL ± 1.0 °		mm	4:1						
		4 PLACES ±	DRWN BY	DATE							
		3 PLACES ±	CHKD BY	DATE							
		2 PLACES ± 0.15	DSUN15	2016/03/03							
	1 PLACE ± 0.25	APPR BY	DATE								
	0 PLACES ±	RCHEN08	2016/03/08								
	DRAFT WHERE APPLICABLE MUST REMAIN WITHIN DIMENSIONS		DRAWING SIZE	THIRD ANGLE PROJECTION							
			D								

REV	DATE	DESCRIPTION
C	2012/10/04	ADDED PN TABLE. REMOVED NICKEL PLATED FROM CAGE.
D	2013/01/04	ADDED 74754-0901. ADDED DIM A TO TABLE. REMOVED MINIMUM PCB THICKNESS NOTE. UPDATED ROHS NOTE. CREATED SHT4 AND ADDED REV HISTORY.
E	2014/03/03	1. CHANGED P/N TEXT ON SIDE OF CAGE FROM 747540103 WKYR TO 74754XXXX WKYR [SHT 1] 2. REGENRATED ISO VIEW [SHT 1]. 3. ADDED 747540134, 747540135 AND 747548103 [SHT 1] 4. ADDED "MM 3D MODEL: TM-74754-1X1-SOLDER" ON LEFT TOP CORNER [SHT 1]
F	2014/03/06	ADDED P/N TABLE [SHT 3]
G	2014/04/14	1. MODIFY DIM A OF 747540134 & 747540135 FROM 3.23 TO 2.80 [SHT 1] 2. MODIFY DIM B OF 747540134 & 747540135 FROM 0.40 TO 0.25 [SHT 3]
H	2014/06/06	ADDED PACKING INFORMATION [SHT 1]
J	2014/11/27	1. REMOVED P/N 74754-0135. [SHEET 1,3] 2. REMOVED ALL INCH UNIT. [SHEET 2]
K	2015/02/17	1. CHANGED 747540901 DIM.A FROM 2.00 TO 2.20mm. [SHEET 1] 2. P/N DESCRIPTION CHANGED AS "P/N AND WEEK/YEAR DATE CODE TO BE PRINTED / STAMPED ON THE SIDE OF COMPLETED CAGE ASSEMBLY AS SHOWN." [SHEET 1] 3. CHANGED 747548103 DIM A 9.47 TO 9.65 FROM TABLE @E6 [SHEET 3] 4. CHANGED 747548103 DIM B 0.43 TO 0.25 FROM TABLE @E5 [SHEET 3]
L	2016/02/29	1.REMASTERED FROM SD-74754-0103_REV 'K' 2.SHEET 1: ADDED WITHOUT ANY DISCOLORATION AFTER IR REFLOW TEST (REFER TO PS OF 747540001)
M	2016/05/12	SHEET 1 : A12 : ADDED 747540188 INTO P/N TABLE D13 : ADDED DIMENSION 11.50 REF SHEET 3 : D5 : ADDED 747540188 INTO P/N TABLE
N	2016/08/29	SEPERATED 747540188 TO 747540188 PSD ASY SHEET 1 : A12 : DELETED 747540188 FROM P/N TABLE SHEET 3 : D5 : DELETED 747540188 FROM P/N TABLE
P	2016/10/28	SHEET 1: A12: ADDED 747540906 ON P/N TABLE SHEET 2: ADDED A SHEET FOR P/N AND DATE CODE PRINTING SHEET 4: D5: ADDED 747540906 ON P/N TABLE
R	2017/09/04	SHEET 1: B14: ADDED "THICKNESS REFER P/N TABLE" TO THE NOTE. D3 : ADDED COLUMN "SF THICKNESS" TO THE P/N TABLE.

QUALITY SYMBOLS		THIS DRAWING CONTAINS INFORMATION THAT IS PROPRIETARY TO MOLEX ELECTRONIC TECHNOLOGIES, LLC AND SHOULD NOT BE USED WITHOUT WRITTEN PERMISSION											
	= 0	SEE REVISION TABLE	2017/09/04 2017/09/06 2017/09/07	GENERAL TOLERANCES (UNLESS SPECIFIED)	DIMENSION UNITS	SCALE							
	= 0				mm	1:1							
	= 0				DRWN BY	DATE							
	= 0				4 PLACES ±	ANGULAR TOL ± 1.0 °	BTEJA	2016/02/29	SFP+ 1X1 CAGE ASSEMBLY WITH SPRING FINGERS AND SOLDER POST LEGS				
	= 0				3 PLACES ±	2 PLACES ± 0.15	CHKD BY	DATE					
	= 0				2 PLACES ±	1 PLACE ± 0.25	DSUN15	2016/03/03					
	= 0				1 PLACE ±	0 PLACES ±	APPR BY	DATE	PRODUCT CUSTOMER DRAWING				
	= 0				0 PLACES ±	DRAFT WHERE APPLICABLE MUST REMAIN WITHIN DIMENSIONS	RCHEN08	2016/03/08					
	= 0				DRAWING SIZE	THIRD ANGLE PROJECTION	74754	SEE P/N TABLE					SERIES
	= 0				R	747540103	PSD	ASY	DOCUMENT NUMBER	DOC TYPE	DOC PART	SHEET NUMBER	
					D				74754	747540103	PSD	ASY	5 OF 5