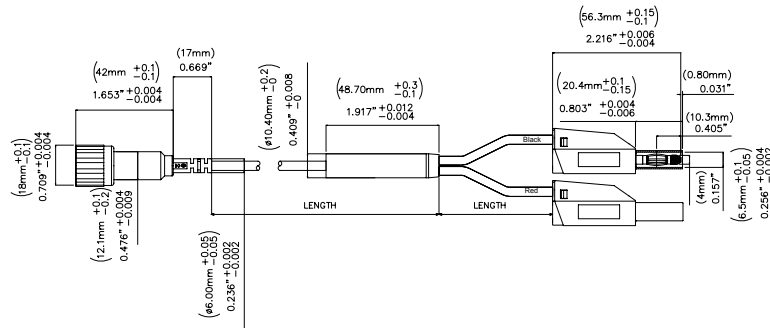


**Models 72927
Insulated BNC (M) / 4mm Plugs**



Features

- Insulated BNC (M) / 4mm Plugs, 50Ω

Materials

Connector:

- Connector body: Nickel plated Brass
- Center Contact: Gold Plated Brass
- Dielectric: White PTFE

Plugs:

- Plug spring: Nickel plated bronze Beryllium copper.
- Plug Body: Nickel plated Brass
- Insulation Tip: Polysulfone
- Plug Insulation: Polypropylene
- Wire: PVC Jacket

Ordering Information

Model: 72927-C-Length

Available Lengths: 40 inches (-40) or 80 inches (-80)

Specifications

Max Current	3 A Max
Max Voltage	500 V CAT I 150 V CAT III
Cable	50 Ω

USA: Sales: 800-490-2361 Technical Support: 800-241-2060 Fax: 888-403-3360

Europe: 31-(0) 40 2675 150 **International:** 425-446-5500

e-mail: technicalsupport@pomonatest.com

Where to Buy: www.pomonaelectronics.com

All dimensions are in inches. Tolerances (except noted): .xx = ±.02" (.51 mm), .xxx = ±.005" (.127 mm). All specifications are to the latest revisions. Specifications are subject to change without notice. Registered trademarks are the property of their respective companies.

Mouser Electronics

Authorized Distributor

Click to View Pricing, Inventory, Delivery & Lifecycle Information:

Pomona:

[72927-C-40](#) [72927-C-80](#)