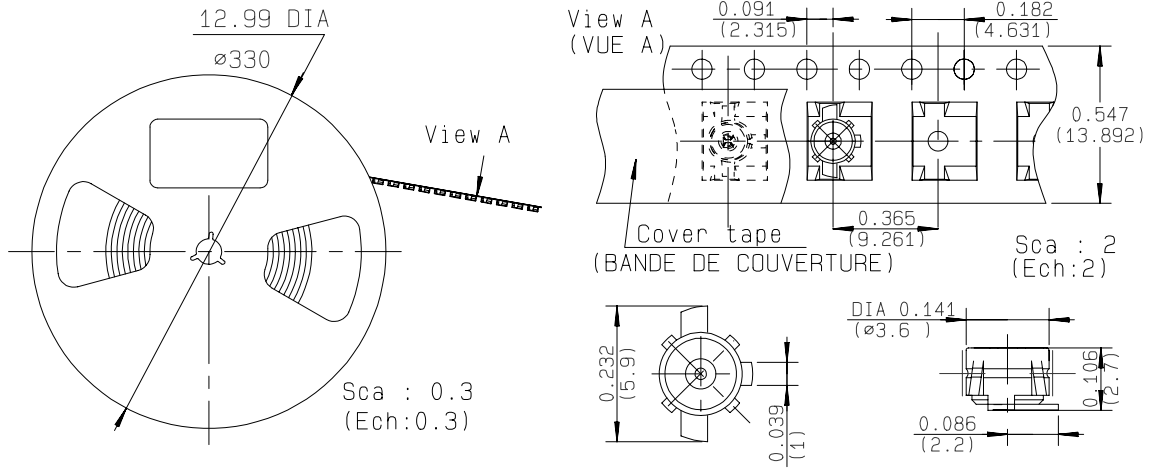


**STRAIGHT JACK RECEPTACLE FOR PCB**

**R210.408.012**

**SMT TYPE - GOLD 0.2 - REEL OF 100**

Series : MMT



All dimensions are in mm.



COMPONENTS	MATERIALS	PLATINGS (µm)
<b>BODY</b>	<b>PHOSPHOR BRONZE</b>	<b>GOLD 0.2 OVER NICKEL 2</b>
<b>CENTER CONTACT</b>	<b>BRASS</b>	<b>GOLD 0.2 OVER NICKEL 2</b>
<b>OUTER CONTACT</b>	<b>PHOSPHOR BRONZE</b>	<b>GOLD 0.2 OVER NICKEL 2</b>
<b>INSULATOR</b>	<b>PTFE</b>	
<b>GASKET</b>	-	-
<b>OTHERS PARTS</b>	-	-
-	-	-
-	-	-

Issue : 0325 A

In the effort to improve our products, we reserve the right to make changes judged to be necessary.



**STRAIGHT JACK RECEPTACLE FOR PCB**

**R210.408.012**

**SMT TYPE - GOLD 0.2 - REEL OF 100**

Series : MMT

**PACKAGING**

**SPECIFICATION**

Standard	Unit	Other
<b>100</b>	<b>'W' option</b>	<b>Contact us</b>

**ELECTRICAL CHARACTERISTICS**

**ENVIRONMENTAL**

Impedance		<b>50</b> Ω
Frequency		<b>0-8</b> GHz
VSWR	<b>1.10</b> +	<b>0.050</b> x F(GHz) Maxi
Insertion loss		<b>0.20</b> √F(GHz) dB Maxi
RF leakage	- (	<b>NA</b> - F(GHz)) dB Maxi
Voltage rating		<b>170</b> Veff Maxi
Dielectric withstanding voltage		<b>500</b> Veff mini
Insulation resistance		<b>5000</b> MΩ mini

Operating temperature	<b>-55/+100</b> ° C
Hermetic seal	<b>NA</b> Atm.cm3/s
Panel leakage	<b>NA</b>

**OTHERS CHARACTERISTICS**

Assembly instruction

Others :  
accouplt : 18Nmax / desacc. : 7Nmin

**MECHANICAL CHARACTERISTICS**

Center contact retention		
Axial force – Mating end		<b>NA</b> N mini
Axial force – Opposite end		<b>NA</b> N mini
Torque		<b>NA</b> N.cm mini
Recommended torque		
Mating		<b>NA</b> N.cm
Panel nut		<b>NA</b> N.cm
Mating life		<b>500</b> Cycles mini
Weight		<b>0.100</b> g

Issue : 0325 A

In the effort to improve our products, we reserve the right to make changes judged to be necessary.



**STRAIGHT JACK RECEPTACLE FOR PCB**

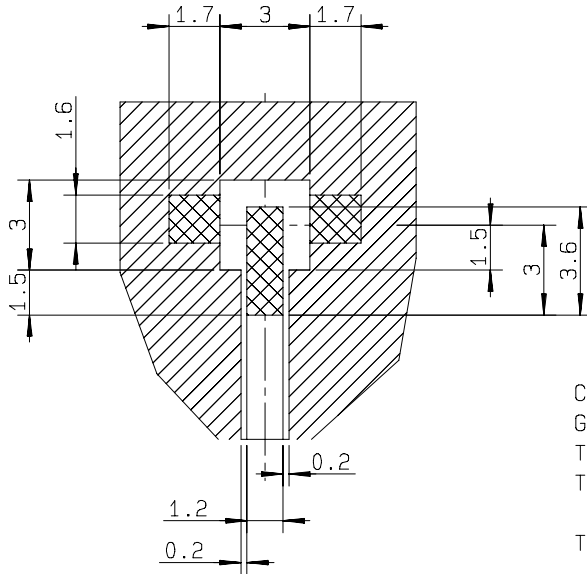
**R210.408.012**


**SMT TYPE - GOLD 0.2 - REEL OF 100**


Series : MMT

**MMT SERIES - INFORMATION**

ALL DIMENSIONS IN MM



 Pattern

 Land for solder paste

**COPLANAR LINE**

Ground and signal are on the same side

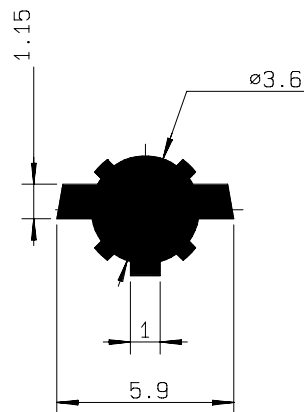
Thickness of PCB : 1 mm

The material of PCB is glass-epoxy composite. (Er = 4.8)

The solder resist should be printed except for the land pattern on the PCB.

ALL DIMENSIONS IN MM

**SHADOW OF MMT RECEPTACLE FOR VIDEO CAMERA**



Issue : 0325 A

In the effort to improve our products, we reserve the right to make changes judged to be necessary.



**STRAIGHT JACK RECEPTACLE FOR PCB**

**R210.408.012**

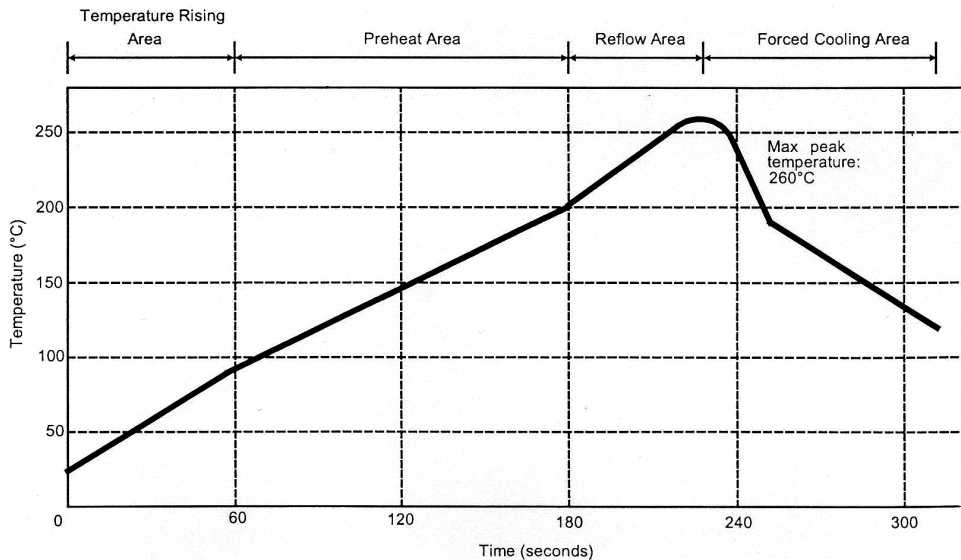
**SMT TYPE - GOLD 0.2 - REEL OF 100**

Series : MMT

**SOLDER PROCEDURE OF MMT RECEPTACLE  
IN INDUSTRIAL ENVIRONMENT**

- 1 – Deposition of solder paste Sn Ag4 Cu0.5 on mounting zone by screen printing application.  
We recommend a Low Residue Solid Flux.  
We advise a thickness of 200 microns (7.800 microinches). Verify that the edges of the prined zone are clean.
- 2 – Placement of the receptacle on the mounting zone with an automatic machine of « pick and place » type.  
A video camera is recommended for positioning of the component. (see page 3)  
Adhesive agents must not be used on the receptacle.
- 3 – Soldering by infra-red reflow.  
Below, please find the typical profile to use.
- 4 – Cleaning of printed circuit boards
- 5 – Verification of solder joints and position of the component by visual inspection

**Note : The MMT receptacle and the MMT plug must not be mated before completion of this procedure.**



Parmeter	Value	Unit
Temperature rising Area	1 - 4	°C/sec
Max Peak Temperature	260	°C
Max dwell time @260°C	10	sec
Min dwell time @235°C	20	sec
Max dwell time @235°C	60	sec
Temperature drop in cooling Area	-1 to - 4	°C/sec
Max dwell time above 100°C	420	sec

Issue : 0325 A

In the effort to improve our products, we reserve the right to make changes judged to be necessary.



# Mouser Electronics

Authorized Distributor

Click to View Pricing, Inventory, Delivery & Lifecycle Information:

[Radial:](#)

[R210408012](#)