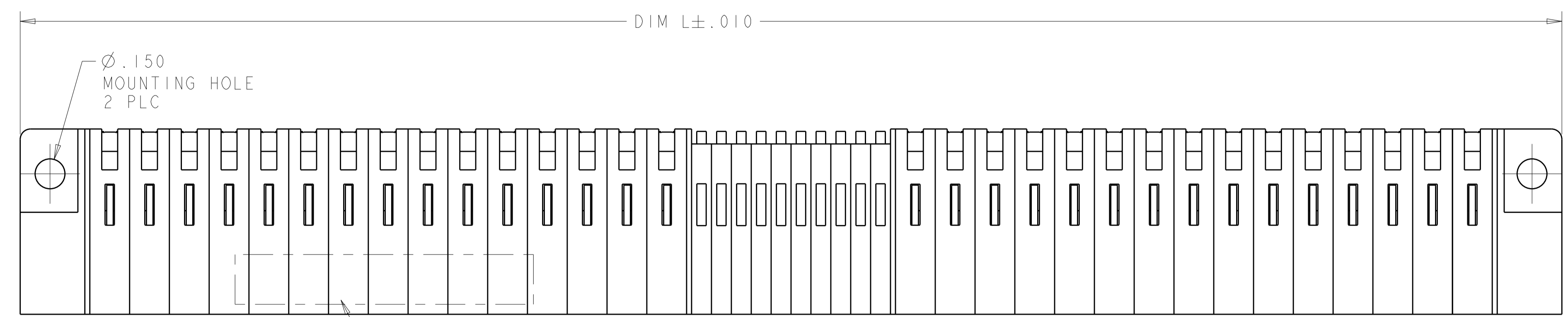
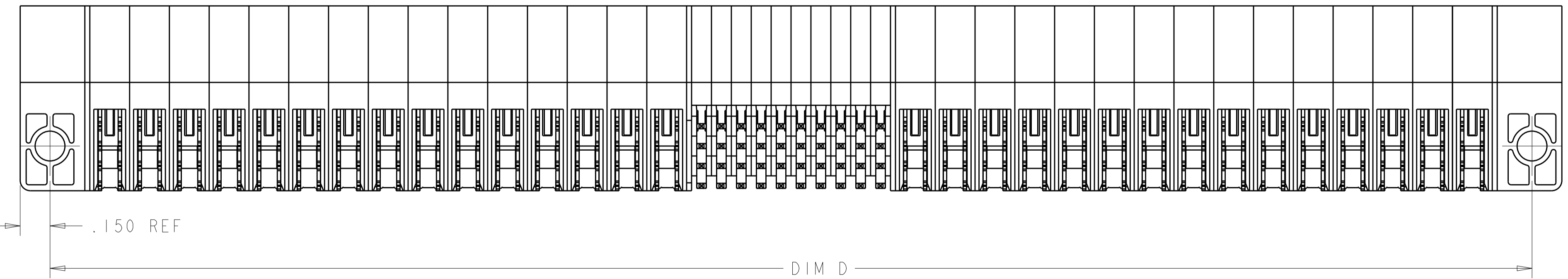
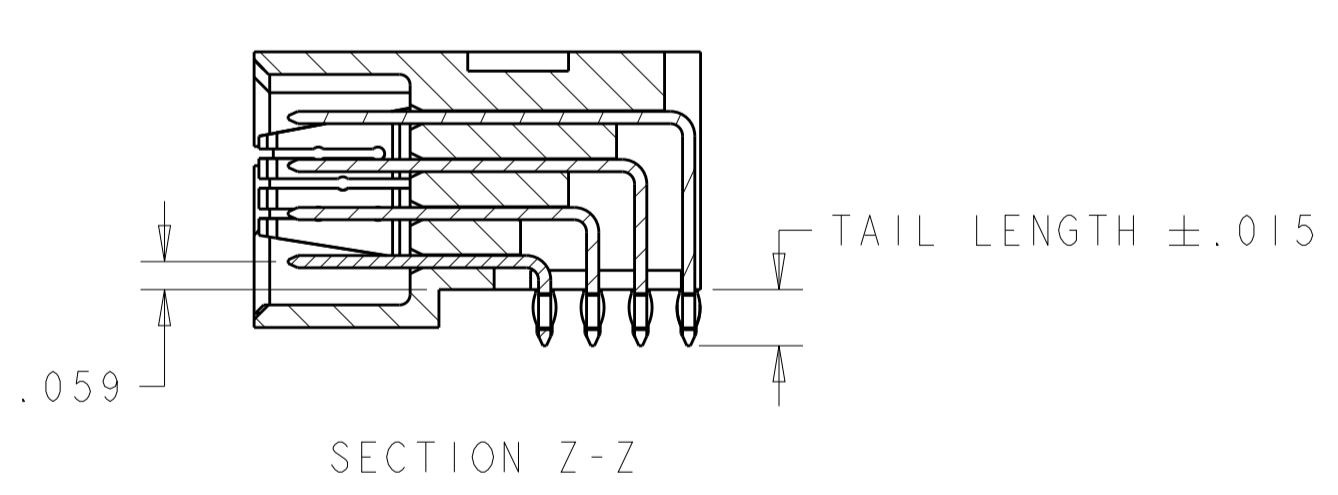
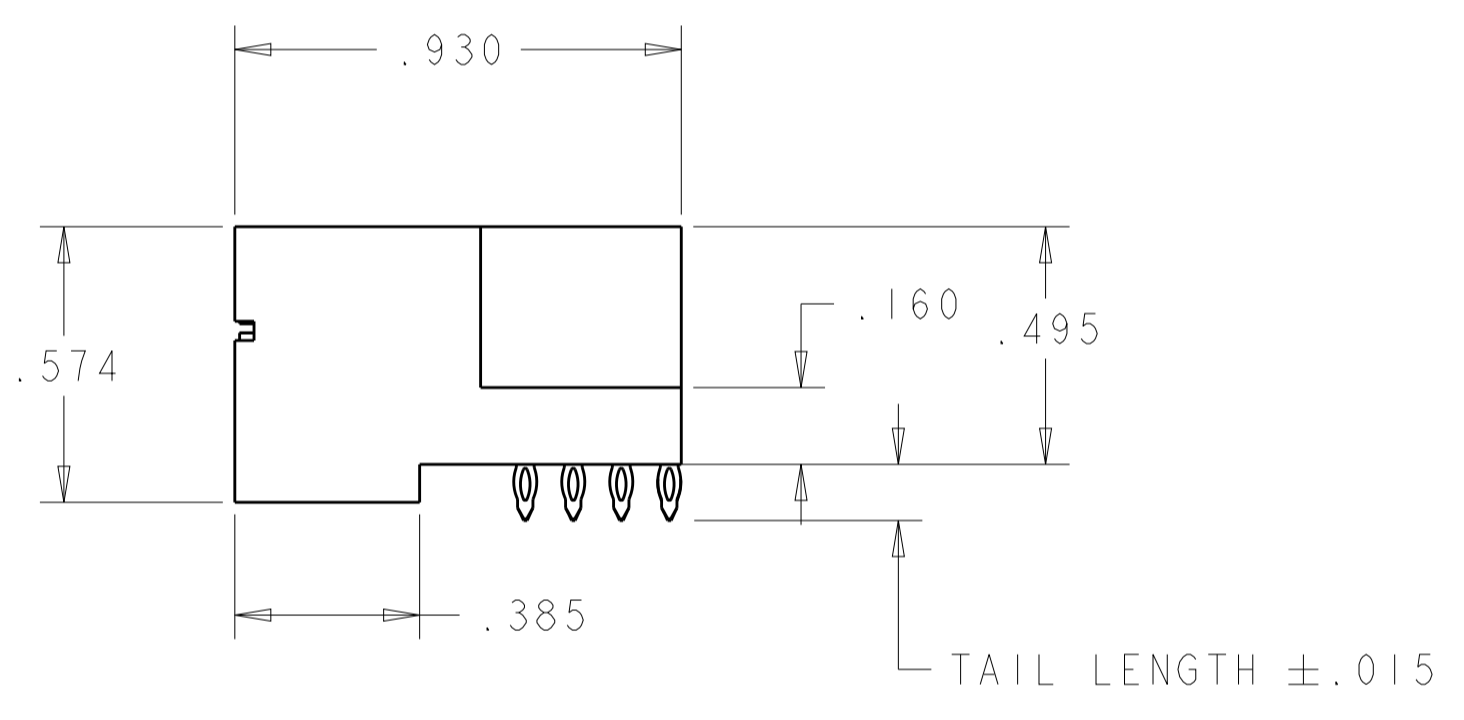
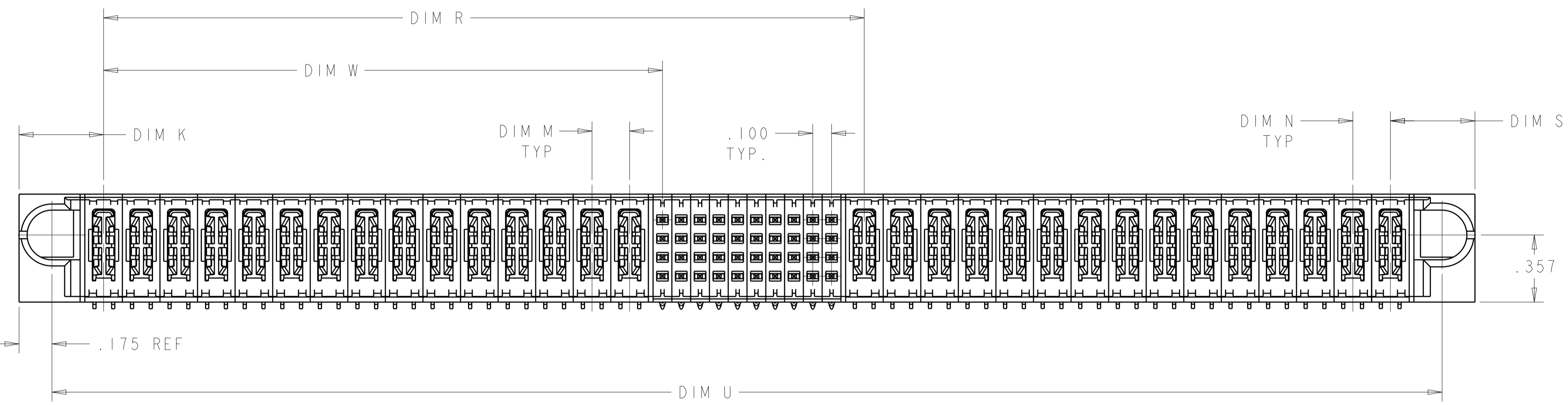


| LOC |  | DIST |  | REVISIONS                 |           |    |     |
|-----|--|------|--|---------------------------|-----------|----|-----|
| ES  |  | 00   |  | REV                       | DATE      | BY | CHK |
| E3  |  |      |  | ADDED THE DASH NUMBER -15 | 10AUG2012 | ML | SZ  |
| E4  |  |      |  | REVISED                   | 13DEC2012 | CZ | SZ  |
| E6  |  |      |  | ADD NEW DASH NO.          | 20JAN2014 | AL | SZ  |



- ⚠ "AMP", PART NUMBER, AND DATECODE TO BE MARKED IN AREA SHOWN. PARTS UNDER 2.00 LONG MAY BE MARKED ON BOTH SIDES.
- ⚠ MATERIAL: HOUSING - GLASS FILLED HIGH TEMP THERMO PLASTIC, UL94 V-0  
 POWER CONTACT - HIGH CONDUCTIVITY COPPER ALLOY  
 SIGNAL CONTACT - HIGH CONDUCTIVITY COPPER ALLOY
- ⚠ CONTACT PLATING: NOBEL METAL PLATED ON CONTACT FUNCTIONAL AREA OF POWER OR SIGNAL CONTACTS,
- ⚠ MECHANICAL CONNECTOR KEEP OUT ZONE.
- ⚠ DATUM AND BASIC DIMENSIONS ESTABLISHED BY CUSTOMER.
- ⚠ PCB - HOLE DIAMETERS ARE FINISHED HOLE SIZE.
- ⚠ PCB - .0453±.0010 DRILLED HOLES PLATED WITH .0003 MIN Sn OVER .001 TO .003 Cu PLATING TO ACHIEVE A .040 DIA HOLE.
- ⚠ NOT RELEASED FOR PRODUCTION.




|  |  |  |  |  |
|--|--|--|--|--|
| THIS DRAWING IS A CONTROLLED DOCUMENT.   |  | DWN T. ZHANG 17MAY2006<br>CHK G. ZHANG 17MAY2006<br>APVD S. ZHAO 17MAY2006             | TE Connectivity  |  |
| DIMENSIONS: INCHES<br>TOLERANCES UNLESS OTHERWISE SPECIFIED:<br>0 PLC ±.<br>1 PLC ±.01<br>2 PLC ±.005<br>3 PLC ±.0020<br>ANGLES ±.2°<br>FINISH: 2, 3 |  | PRODUCT SPEC: 108-1973<br>APPLICATION SPEC: 114-13038<br>WEIGHT: -<br>CUSTOMER DRAWING | NAME: RIGHT ANGLE HEADER ASSEMBLY W/ GUIDE, PRESS FIT MULTI-BEAM XL<br>SIZE: A1<br>CAGE CODE: 6450520<br>SCALE: 4:1 SHEET 1 OF 7 REV: E6 |  |

THIS DRAWING IS UNPUBLISHED. RELEASED FOR PUBLICATION 20  
 © COPYRIGHT 20 TE CONNECTIVITY ALL RIGHTS RESERVED.

| LOC | DIST | REVISIONS |     |             |      |     |      |
|-----|------|-----------|-----|-------------|------|-----|------|
|     |      | P         | LTN | DESCRIPTION | DATE | DWN | APVD |
| ES  | 00   | -         |     | SEE SHEET 1 | -    | -   | -    |
|     |      |           |     |             |      |     |      |
|     |      |           |     |             |      |     |      |

E6

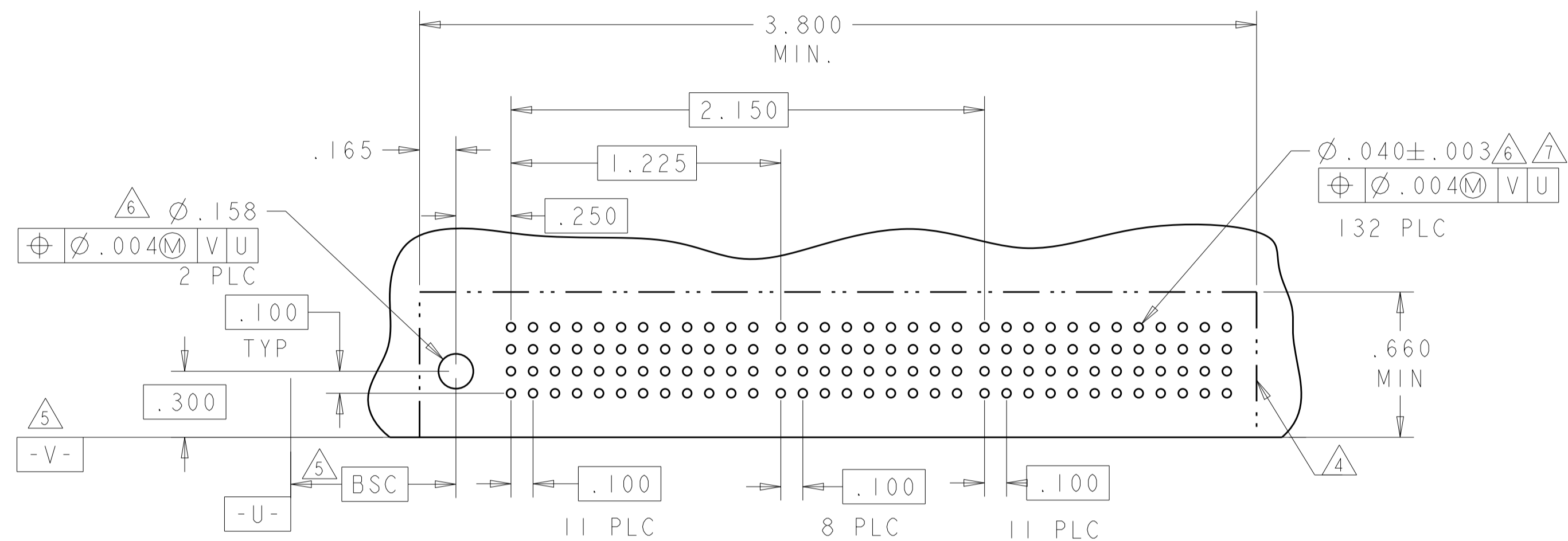
|      |      |       |      |      |       |       |       |       |               |             |
|------|------|-------|------|------|-------|-------|-------|-------|---------------|-------------|
| .300 | .250 | 3.300 | .450 | .450 | 3.25  | .925  | 1.200 | 3.6   | 4P+8S+6P      | 1-6450520-8 |
| .300 | .250 | 3.200 | .450 | .450 | 3.15  | .925  | 1.400 | 3.5   | 4P+16S+5P     | 1-6450520-7 |
| .250 | -    | 2.950 | .450 | .450 | 2.900 | .925  | 1.600 | 3.250 | 4P+24S+4P     | 1-6450520-6 |
| -    | .300 | 1.700 | -    | .475 | 1.650 | .850  | -     | 2.000 | 3ACP+16S      | 1-6450520-5 |
| -    | -    | 1.575 | -    | .400 | 1.525 | -     | -     | 1.875 | 48S           | 1-6450520-4 |
| -    | -    | 1.975 | -    | .400 | 1.925 | -     | -     | 2.275 | 64S           | 1-6450520-3 |
| .250 | .250 | 5.950 | .450 | .450 | 5.900 | 2.425 | 3.100 | 6.250 | 10P+24S+10P   | 1-6450520-2 |
| -    | -    | 1.350 | .450 | .450 | 1.300 | .225  | 0.750 | 1.650 | 1P+16S+1P     | 1-6450520-1 |
| .250 | .250 | 2.150 | .450 | .450 | 2.100 | .725  | 1.050 | 2.450 | 3P+8S+3P      | 6450520-9   |
| -    | -    | 1.150 | .450 | .450 | 1.100 | .225  | .550  | 1.450 | 1P+8S+1P      | 6450520-8   |
| .200 | .200 | -     | -    | .450 | -     | 1.175 | 2.150 | 3.970 | 6HDP+36S+7HDP | 6450520-7   |
| .200 | .200 | -     | -    | .450 | -     | 1.175 | 2.150 | 3.770 | 6P+36S+6P     | 6450520-6   |
| .200 | .200 | -     | -    | .450 | -     | 2.975 | 4.050 | 7.470 | 15P+40S+15P   | 6450520-5   |
| .200 | .200 | -     | .450 | -    | -     | 2.975 | 4.050 | 7.470 | 15P+40S+15P   | 6450520-4   |
| N    | M    | D     | S    | K    | U     | W     | R     | L     | DESCRIPTION   | PART NUMBER |

|   |        |   |  |
|---|--------|---|--|
| THIS DRAWING IS A CONTROLLED DOCUMENT.  |        | DWN<br>T. ZHANG<br>17MAY2006                              |  TE Connectivity<br>NAME<br>RIGHT ANGLE HEADER ASSEMBLY<br>W/ GUIDE, PRESS FIT<br>MULTI-BEAM XL |
| DIMENSIONS:<br>INCHES   |        | CHK<br>G. ZHANG<br>17MAY2006                              |  |
| TOLERANCES UNLESS OTHERWISE SPECIFIED:  |        | APVD<br>S. ZHAO<br>17MAY2006                              |  |
| 0 PLC ±.<br>1 PLC ±.01<br>2 PLC ±.01<br>3 PLC ±.005<br>4 PLC ±.0020<br>ANGLES ±.020 |        | PRODUCT SPEC<br>108-1973<br>APPLICATION SPEC<br>114-13038 |  |
| MATERIAL  | FINISH | WEIGHT  | SIZE CAGE CODE DRAWING NO<br>A100779C=6450520<br>RESTRICTED TO   |
| CUSTOMER DRAWING  |        | SCALE 4:1   | SHEET 2 OF 7<br>REV E6   |

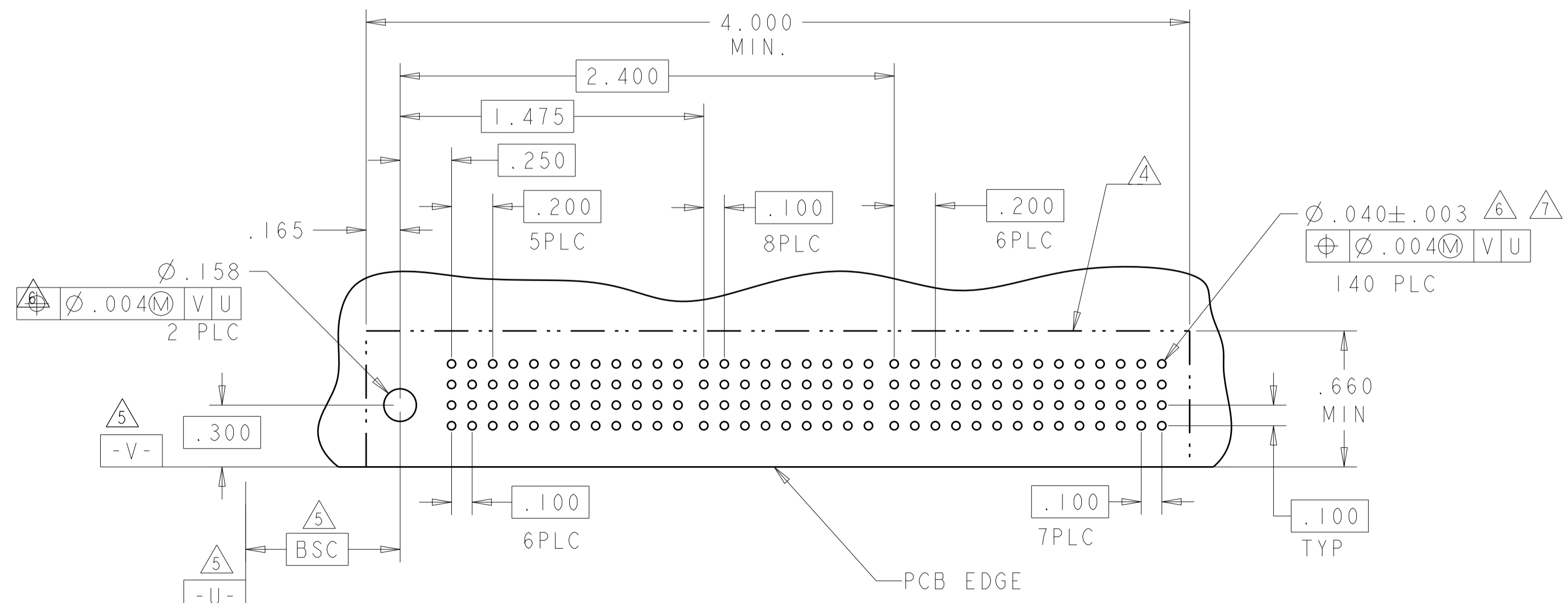


| LOC | DIST | REVISIONS   |      |    |      |
|-----|------|-------------|------|----|------|
| ES  | 00   | REV         | DATE | BY | APPD |
|     |      | 1           |      |    |      |
|     |      | SEE SHEET 1 |      |    |      |

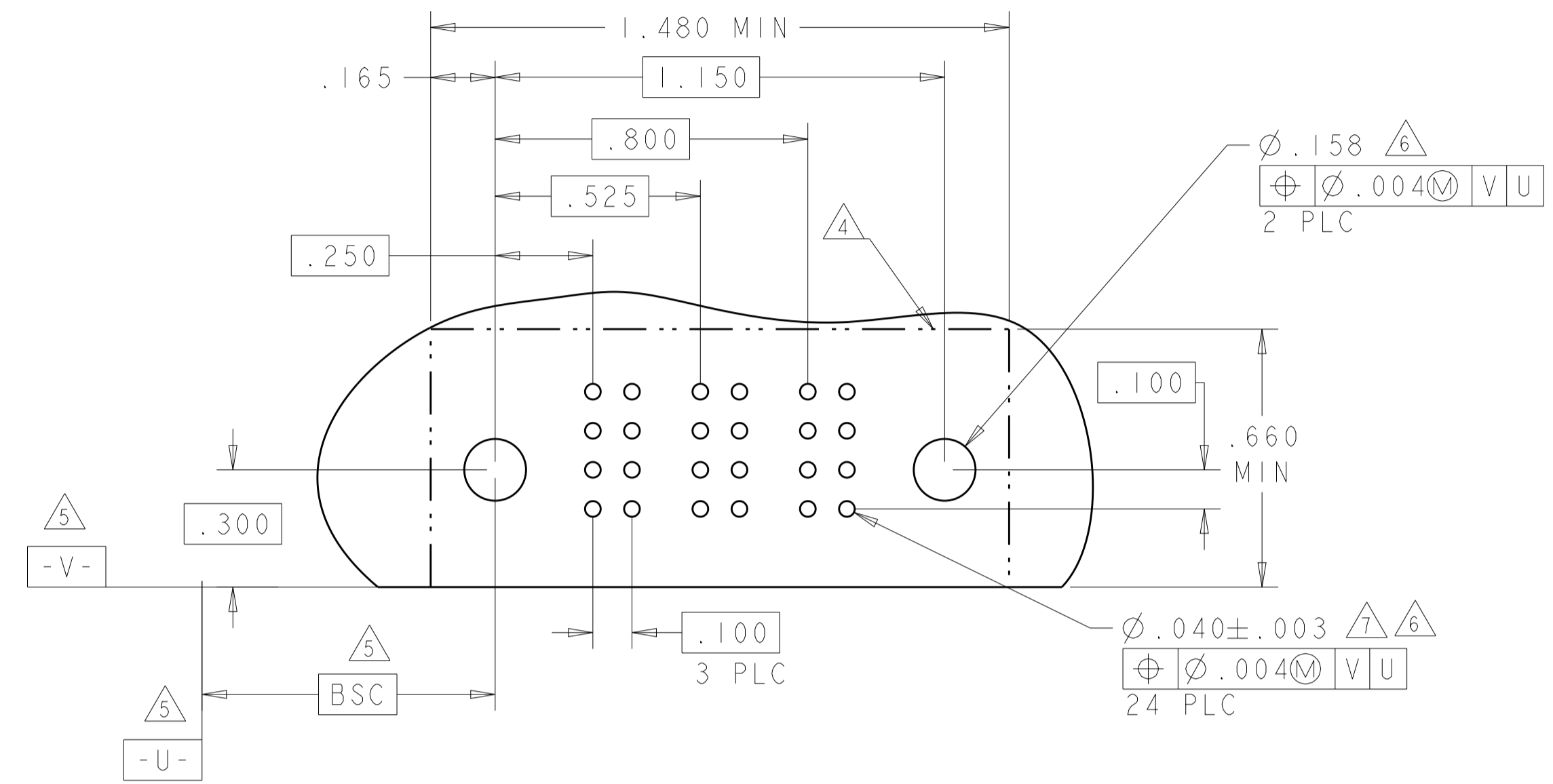
| PART NUMBER       | ROWS             | SIGNAL |    |    |    |    |    |    |    |    | POWER |    |    |    |    |    |    |    |    |     |     |     |
|-------------------|------------------|--------|----|----|----|----|----|----|----|----|-------|----|----|----|----|----|----|----|----|-----|-----|-----|
|                   |                  | P1     | P2 | P3 | P4 | P5 | P6 | 1  | 2  | 3  | 4     | 5  | 6  | 7  | 8  | 9  | P7 | P8 | P9 | P10 | P11 | P12 |
| 6450520-6         | D<br>C<br>B<br>A | PT     | PT | PT | PT | PT | PT | Z5 | Z5 | Z5 | Z5    | Z5 | Z5 | Z5 | Z5 | Z5 | PT | PT | PT | PT  | PT  | PT  |
|                   |                  | Y5     | Y5 | Y5 | Y5 | Y5 | Y5 | Y5 | Y5 | Y5 | Y5    | Y5 | Y5 | Y5 | Y5 | Y5 | PT | PT | PT | PT  | PT  | PT  |
|                   |                  | R5     | R5 | R5 | R5 | R5 | R5 | R5 | R5 | R5 | R5    | R5 | R5 | R5 | R5 | R5 | PT | PT | PT | PT  | PT  | PT  |
|                   |                  | O5     | O5 | O5 | O5 | O5 | O5 | O5 | O5 | O5 | O5    | O5 | O5 | O5 | O5 | O5 | PT | PT | PT | PT  | PT  | PT  |
| 6HDP + 36S + 6HDP |                  |        |    |    |    |    |    |    |    |    |       |    |    |    |    |    |    |    |    |     |     |     |



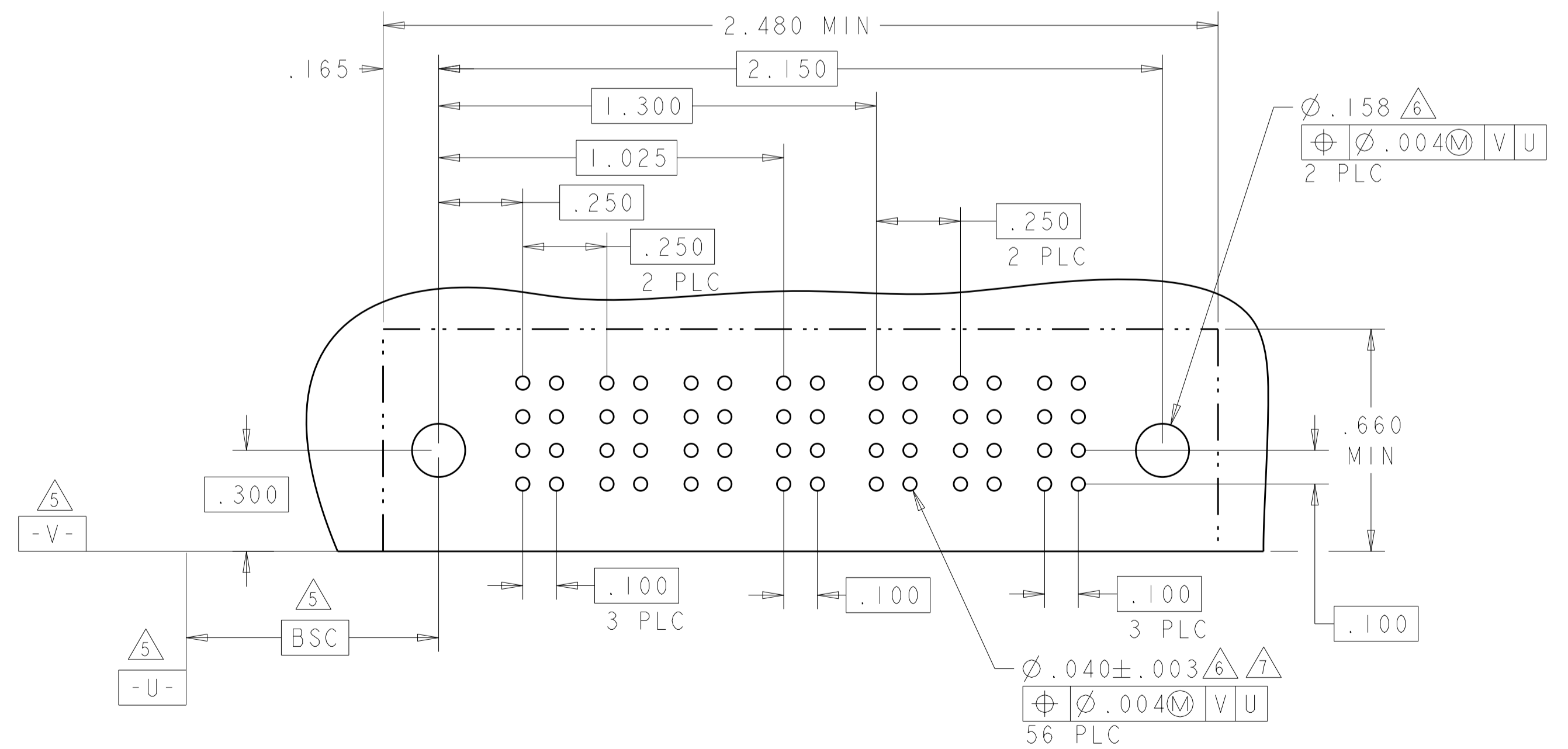
| PART NUMBER       | ROWS             | SIGNAL |    |    |    |    |    |    |    |    | POWER |    |    |    |    |    |    |    |    |     |     |     |     |
|-------------------|------------------|--------|----|----|----|----|----|----|----|----|-------|----|----|----|----|----|----|----|----|-----|-----|-----|-----|
|                   |                  | P1     | P2 | P3 | P4 | P5 | P6 | 1  | 2  | 3  | 4     | 5  | 6  | 7  | 8  | 9  | P7 | P8 | P9 | P10 | P11 | P12 | P13 |
| 6450520-7         | D<br>C<br>B<br>A | PT     | PT | PT | PT | PT | PT | Z5 | Z5 | Z5 | Z5    | Z5 | Z5 | Z5 | Z5 | Z5 | PT | PT | PT | PT  | PT  | PT  | PT  |
|                   |                  | Y5     | Y5 | Y5 | Y5 | Y5 | Y5 | Y5 | Y5 | Y5 | Y5    | Y5 | Y5 | Y5 | Y5 | Y5 | PT | PT | PT | PT  | PT  | PT  | PT  |
|                   |                  | R5     | R5 | R5 | R5 | R5 | R5 | R5 | R5 | R5 | R5    | R5 | R5 | R5 | R5 | R5 | PT | PT | PT | PT  | PT  | PT  | PT  |
|                   |                  | O5     | O5 | O5 | O5 | O5 | O5 | O5 | O5 | O5 | O5    | O5 | O5 | O5 | O5 | O5 | PT | PT | PT | PT  | PT  | PT  | PT  |
| 6HDP + 36S + 7HDP |                  |        |    |    |    |    |    |    |    |    |       |    |    |    |    |    |    |    |    |     |     |     |     |



| PART NUMBER  | ROWS             | POWER |    |    |    | SIGNAL |    |    |    | POWER |    |    |    |    |     |    |    |    |    |    |    |    |
|--------------|------------------|-------|----|----|----|--------|----|----|----|-------|----|----|----|----|-----|----|----|----|----|----|----|----|
|              |                  | P1    | P2 | P3 | P4 | 1      | 2  | 3  | 4  | P5    | P6 | P7 | P8 | P9 | P10 |    |    |    |    |    |    |    |
| 6450520-8    | D<br>C<br>B<br>A | PT    | PT | PT | PT | Z5     | Z5 | Z5 | Z5 | Z5    | Z5 | Z5 | Z5 | Z5 | Z5  | PT | PT | PT | PT | PT | PT | PT |
|              |                  | Y5    | Y5 | Y5 | Y5 | Y5     | Y5 | Y5 | Y5 | Y5    | Y5 | Y5 | Y5 | Y5 | Y5  | PT | PT | PT | PT | PT | PT | PT |
|              |                  | R5    | R5 | R5 | R5 | R5     | R5 | R5 | R5 | R5    | R5 | R5 | R5 | R5 | R5  | PT | PT | PT | PT | PT | PT | PT |
|              |                  | O5    | O5 | O5 | O5 | O5     | O5 | O5 | O5 | O5    | O5 | O5 | O5 | O5 | O5  | PT | PT | PT | PT | PT | PT | PT |
| IP + 8S + IP |                  |       |    |    |    |        |    |    |    |       |    |    |    |    |     |    |    |    |    |    |    |    |



| PART NUMBER  | ROWS             | POWER |    |    |    |    |    | SIGNAL |    |    |    | POWER |    |    |     |     |     |     |     |     |     |    |    |
|--------------|------------------|-------|----|----|----|----|----|--------|----|----|----|-------|----|----|-----|-----|-----|-----|-----|-----|-----|----|----|
|              |                  | P1    | P2 | P3 | P4 | P5 | P6 | 1      | 2  | 3  | 4  | P7    | P8 | P9 | P10 | P11 | P12 | P13 | P14 | P15 | P16 |    |    |
| 6450520-9    | D<br>C<br>B<br>A | PT    | PT | PT | PT | PT | PT | Z5     | Z5 | Z5 | Z5 | Z5    | Z5 | Z5 | Z5  | Z5  | Z5  | Z5  | Z5  | Z5  | Z5  | Z5 | Z5 |
|              |                  | Y5    | Y5 | Y5 | Y5 | Y5 | Y5 | Y5     | Y5 | Y5 | Y5 | Y5    | Y5 | Y5 | Y5  | Y5  | Y5  | Y5  | Y5  | Y5  | Y5  | Y5 | Y5 |
|              |                  | R5    | R5 | R5 | R5 | R5 | R5 | R5     | R5 | R5 | R5 | R5    | R5 | R5 | R5  | R5  | R5  | R5  | R5  | R5  | R5  | R5 | R5 |
|              |                  | O5    | O5 | O5 | O5 | O5 | O5 | O5     | O5 | O5 | O5 | O5    | O5 | O5 | O5  | O5  | O5  | O5  | O5  | O5  | O5  | O5 | O5 |
| 3P + 8S + 3P |                  |       |    |    |    |    |    |        |    |    |    |       |    |    |     |     |     |     |     |     |     |    |    |

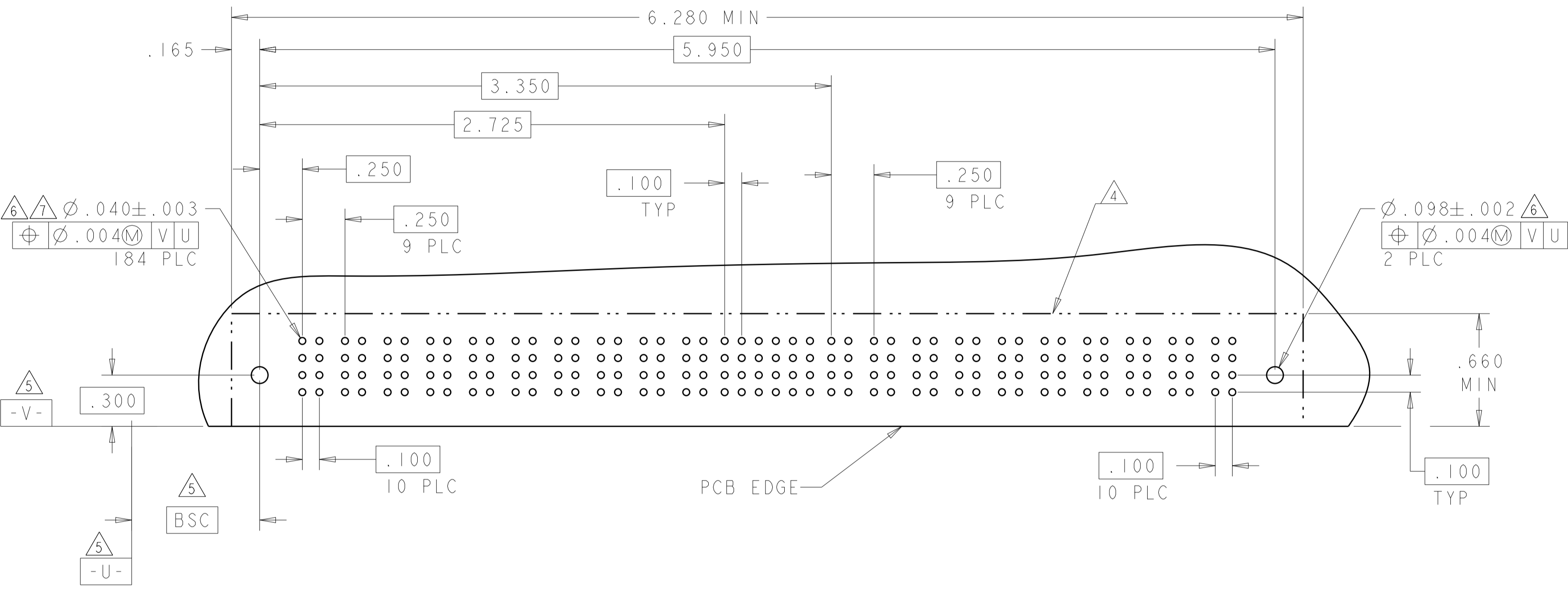


THIS DRAWING IS A CONTROLLED DOCUMENT.

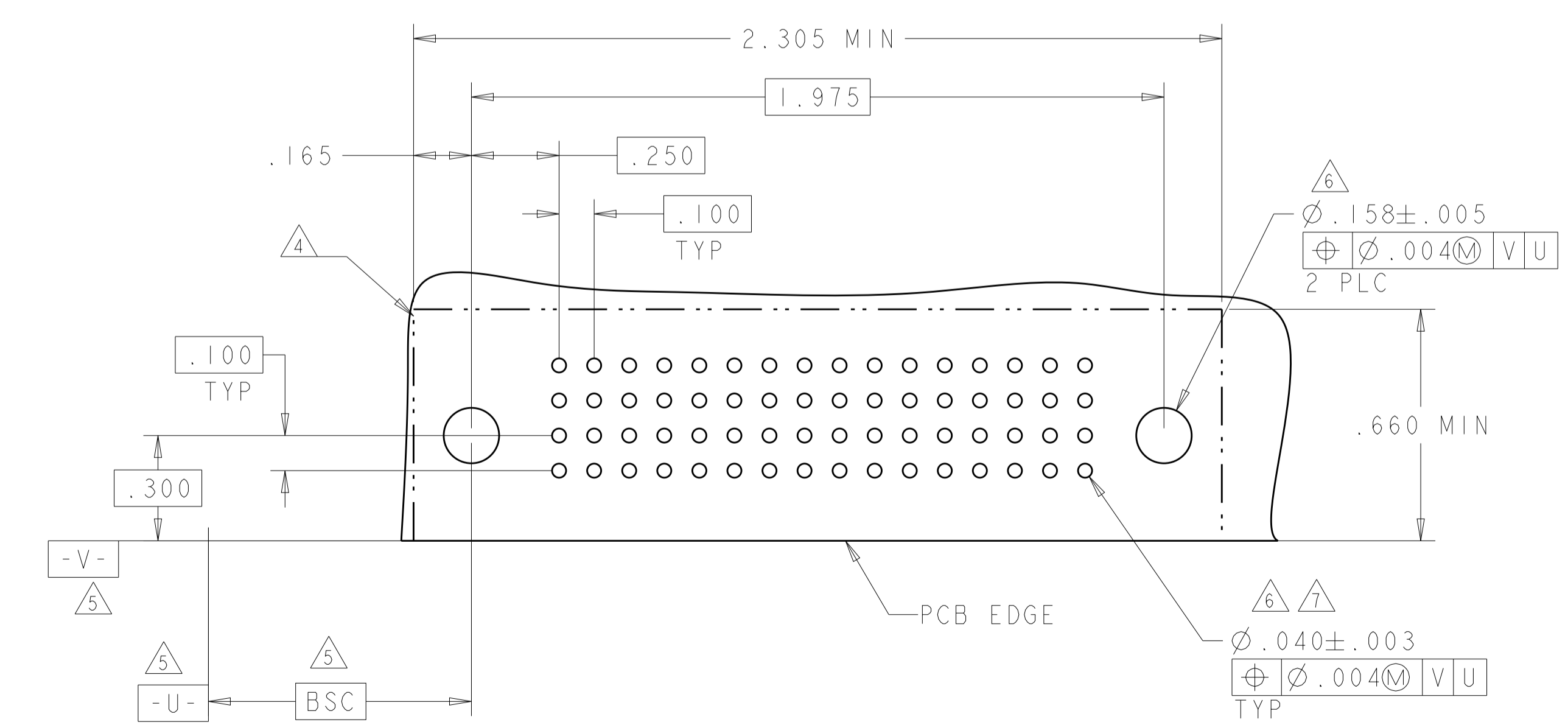
|                  |  |                               |          |           |
|------------------|--|-------------------------------|----------|-----------|
| DIMENSIONS:      | TOLERANCES UNLESS OTHERWISE SPECIFIED: | OWN                           | T. ZHANG | 17MAY2006 |
| INCHES           | 0 PLC ±.01                             | CHK                           | G. ZHANG | 17MAY2006 |
|                  | 1 PLC ±.01                             | APVD                          | S. ZHAO  | 17MAY2006 |
|                  | 2 PLC ±.01                             | NAME                          |          |           |
|                  | 3 PLC ±.01                             | RIGHT ANGLE HEADER ASSEMBLY   |          |           |
|                  | 4 PLC ±.005                            | W/ GUIDE, PRESS FIT           |          |           |
|                  | 5 PLC ±.005                            | MULTI-BEAM XL                 |          |           |
|                  | 6 PLC ±.002                            | SIZE CAGE CODE DRAWING NO     |          |           |
|                  | ANGLES ±.0020                          | RESTRICTED TO                 |          |           |
| MATERIAL         | FINISH                                 | A100779C=6450520              |          |           |
| CUSTOMER DRAWING |  | SCALE 4:1 SHEET 4 OF 7 REV E6 |          |           |

| LOC | DIST | REVISIONS   |      |     |      |
|-----|------|-------------|------|-----|------|
| P   | LTN  | DESCRIPTION | DATE | DMN | APVD |
| ES  | 00   | SEE SHEET 1 |      |     |      |

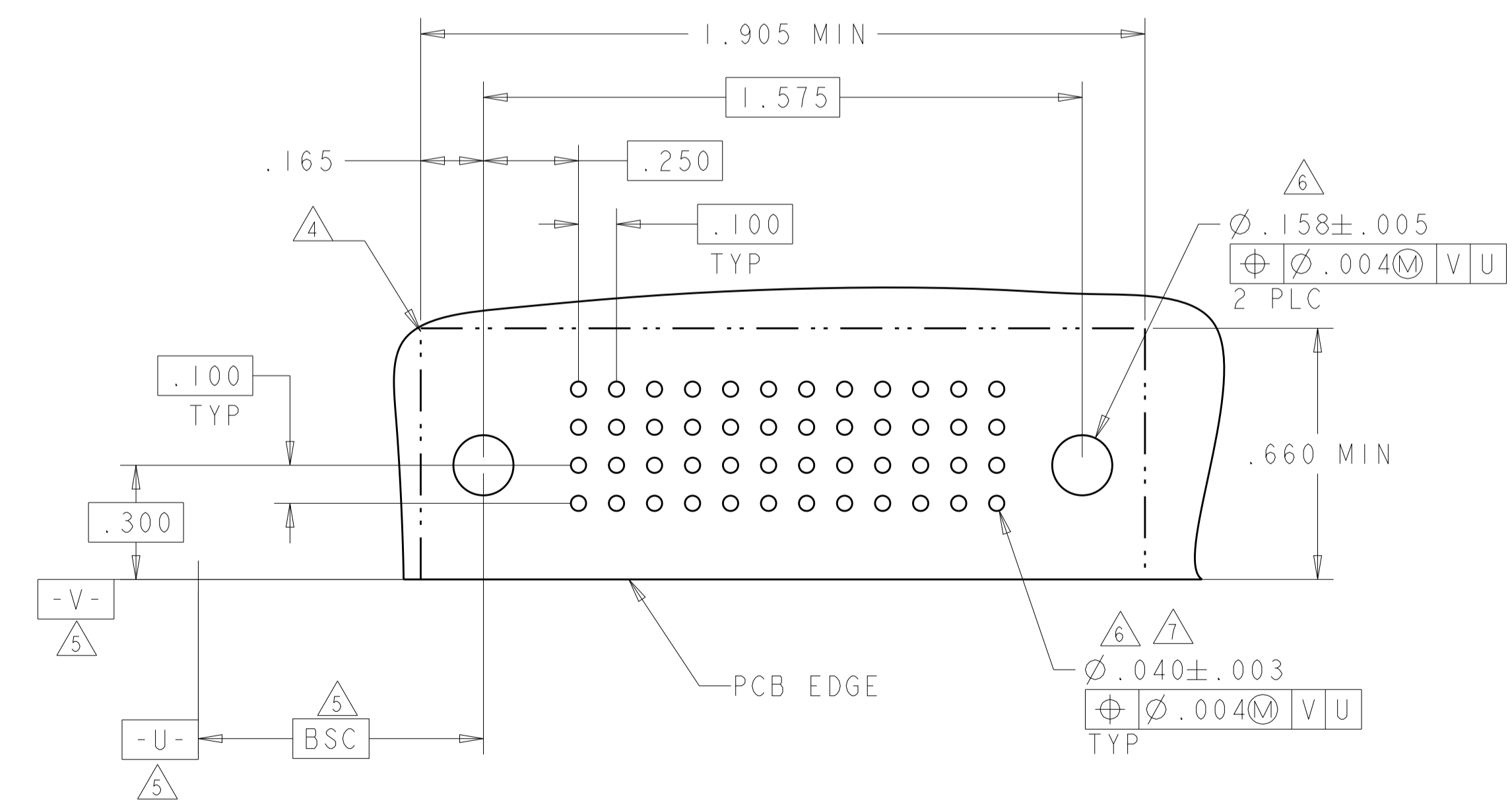
| PART NUMBER     | ROWS             | POWER |    |    |    |    |    |    |    |    | SIGNAL |    |    |    |    |    | POWER |     |     |     |     |     |     |     |     |     |     |
|-----------------|------------------|-------|----|----|----|----|----|----|----|----|--------|----|----|----|----|----|-------|-----|-----|-----|-----|-----|-----|-----|-----|-----|-----|
|                 |                  | P1    | P2 | P3 | P4 | P5 | P6 | P7 | P8 | P9 | P10    | 1  | 2  | 3  | 4  | 5  | 6     | P11 | P12 | P13 | P14 | P15 | P16 | P17 | P18 | P19 | P20 |
| I-6450520-2     | D<br>C<br>B<br>A | PT    | PT | PT | PT | PT | PT | PT | PT | PT | PT     | Z5 | Z5 | Z5 | Z5 | Z5 | Z5    | PT  | PT  | PT  | PT  | PT  | PT  | PT  | PT  | PT  | PT  |
|                 |                  | Y5    | Y5 | Y5 | Y5 | Y5 | Y5 | Y5 | Y5 | Y5 | Y5     | R5 | R5 | R5 | R5 | R5 | R5    |     |     |     |     |     |     |     |     |     |     |
|                 |                  | R5    | R5 | R5 | R5 | R5 | R5 | R5 | R5 | R5 | R5     | O5 | O5 | O5 | O5 | O5 | O5    |     |     |     |     |     |     |     |     |     |     |
| 10P + 24S + 10P |                  |       |    |    |    |    |    |    |    |    |        |    |    |    |    |    |       |     |     |     |     |     |     |     |     |     |     |



| PART NUMBER | ROWS             | SIGNAL |    |    |    |    |    |    |    |    |    |    |    |    |    |    |    |
|-------------|------------------|--------|----|----|----|----|----|----|----|----|----|----|----|----|----|----|----|
|             |                  | 1      | 2  | 3  | 4  | 5  | 6  | 7  | 8  | 9  | 10 | 11 | 12 | 13 | 14 | 15 | 16 |
| I-6450520-3 | D<br>C<br>B<br>A | Z5     | Z5 | Z5 | Z5 | Z5 | Z5 | Z5 | Z5 | Z5 | Z5 | Z5 | Z5 | Z5 | Z5 | Z5 | Z5 |
|             |                  | Y5     | Y5 | Y5 | Y5 | Y5 | Y5 | Y5 | Y5 | Y5 | Y5 | Y5 | Y5 | Y5 | Y5 | Y5 | Y5 |
|             |                  | R5     | R5 | R5 | R5 | R5 | R5 | R5 | R5 | R5 | R5 | R5 | R5 | R5 | R5 | R5 | R5 |
| 64S         |                  |        |    |    |    |    |    |    |    |    |    |    |    |    |    |    |    |



| PART NUMBER | ROWS             | SIGNAL |    |    |    |    |    |    |    |    |    |    |    |
|-------------|------------------|--------|----|----|----|----|----|----|----|----|----|----|----|
|             |                  | 1      | 2  | 3  | 4  | 5  | 6  | 7  | 8  | 9  | 10 | 11 | 12 |
| I-6450520-4 | D<br>C<br>B<br>A | Z5     | Z5 | Z5 | Z5 | Z5 | Z5 | Z5 | Z5 | Z5 | Z5 | Z5 | Z5 |
|             |                  | Y5     | Y5 | Y5 | Y5 | Y5 | Y5 | Y5 | Y5 | Y5 | Y5 | Y5 | Y5 |
|             |                  | R5     | R5 | R5 | R5 | R5 | R5 | R5 | R5 | R5 | R5 | R5 | R5 |
| 48S         |                  |        |    |    |    |    |    |    |    |    |    |    |    |



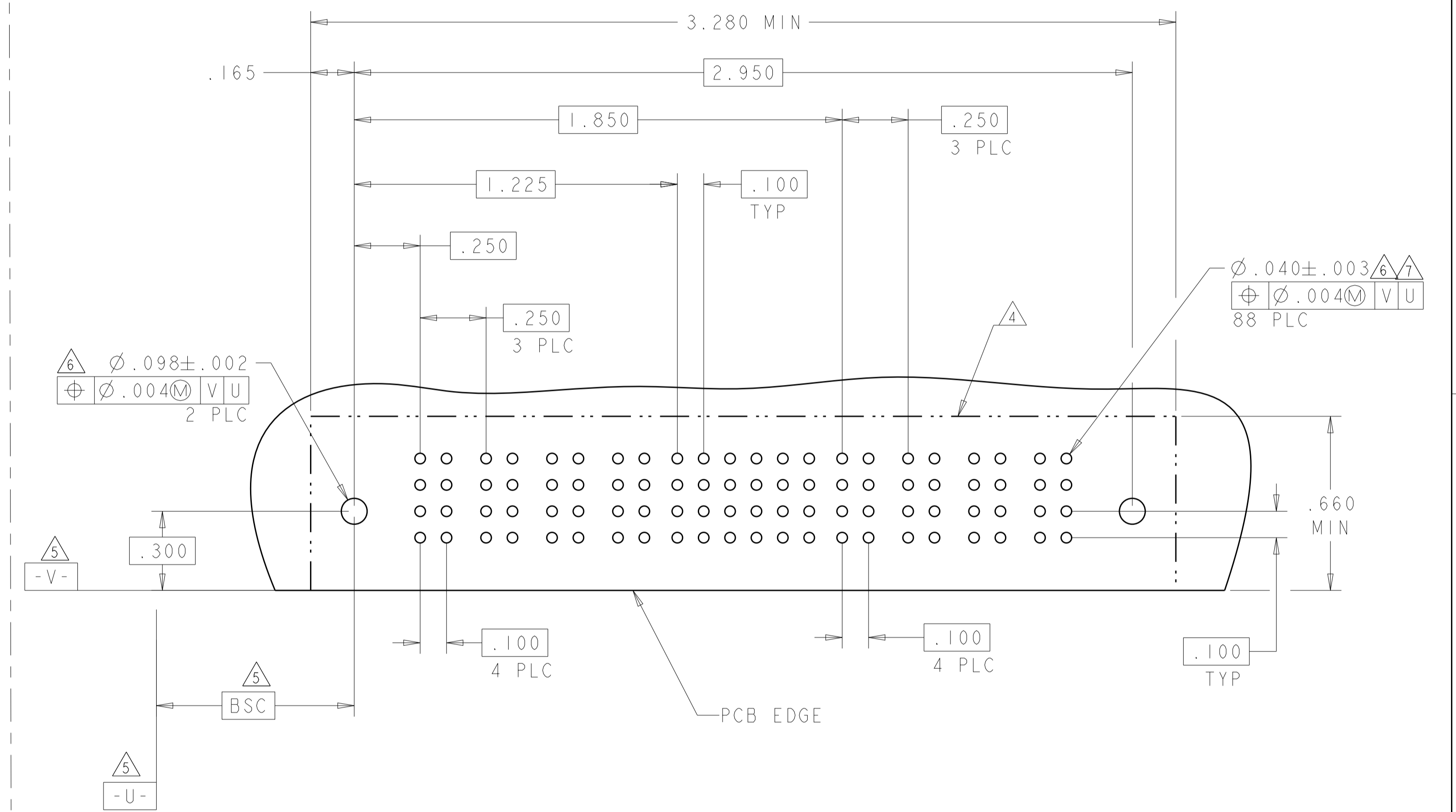
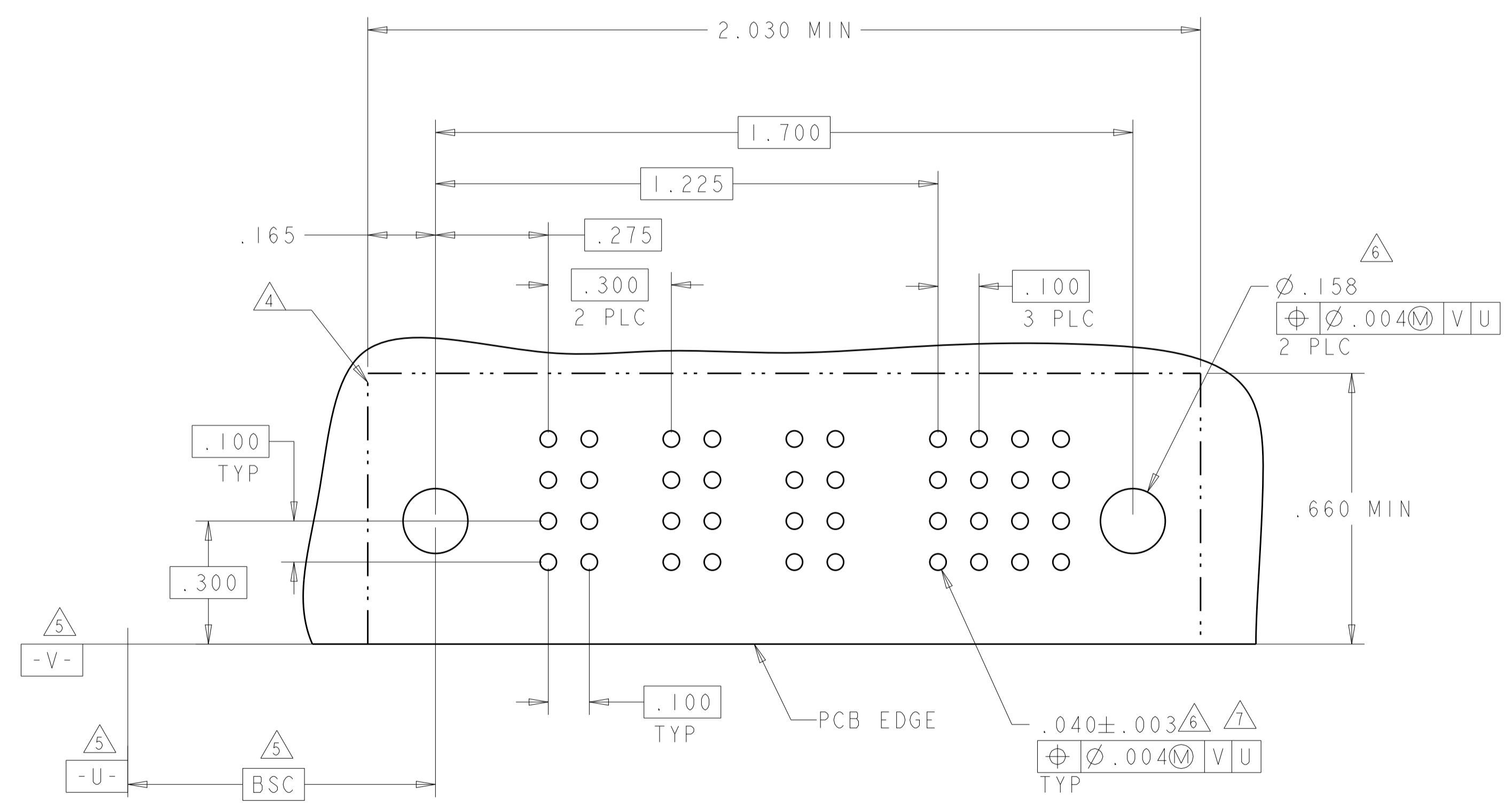
THIS DRAWING IS A CONTROLLED DOCUMENT.

|   |           |  |
|---|-----------|--|
| DMN: T. ZHANG   | 17MAY2006 | <br>TE Connectivity  |
| CHK: G. ZHANG   | 17MAY2006 |  |
| APPV: S. ZHAO   | 17MAY2006 |  |
| NAME: RIGHT ANGLE HEADER ASSEMBLY W/ GUIDE, PRESS FIT MULTI-BEAM XL |           |  |
| DIMENSIONS: INCHES  |           | TOLERANCES UNLESS OTHERWISE SPECIFIED:<br>0 PLC ±.<br>1 PLC ±.01<br>3 PLC ±.005<br>4 PLC ±.0020<br>ANGLES ±.0° |
| MATERIAL:   |           | PRODUCT SPEC: 108-1973<br>APPLICATION SPEC: 114-13038<br>WEIGHT: -<br>FINISH: -                                |
| CUSTOMER DRAWING  |           | SIZE: A1<br>CAGE CODE: 100779<br>DRAWING NO: 6450520<br>SCALE: 4:1<br>SHEET: 5 OF 7<br>REV: E6                 |

| LOC | DIST | REVISIONS |             |    |      |
|-----|------|-----------|-------------|----|------|
| ES  | 00   | REV       | DATE        | BY | APPV |
|     |      | -         | SEE SHEET 1 | -  | -    |

| PART NUMBER | ROWS             | POWER |    |    | SIGNAL |    |    |    |
|-------------|------------------|-------|----|----|--------|----|----|----|
|             |                  | P1    | P2 | P3 | 1      | 2  | 3  | 4  |
|             |                  | PT    | PT | PT | Z5     | Z5 | Z5 | Z5 |
| 1-6450520-5 | D<br>C<br>B<br>A |       |    |    | Y5     | Y5 | Y5 | Y5 |
|             |                  |       |    |    | R5     | R5 | R5 | R5 |
|             |                  |       |    |    | O5     | O5 | O5 | O5 |
| 3ACP + 16S  |                  |       |    |    |        |    |    |    |

| PART NUMBER   | ROWS             | POWER |    |    |    | SIGNAL |    |    |    |    |    | POWER |    |    |    |
|---------------|------------------|-------|----|----|----|--------|----|----|----|----|----|-------|----|----|----|
|               |                  | P1    | P2 | P3 | P4 | 1      | 2  | 3  | 4  | 5  | 6  | P5    | P6 | P7 | P8 |
|               |                  | PT    | PT | PT | PT | Z5     | Z5 | Z5 | Z5 | Z5 | Z5 | Z5    | PT | PT | PT |
| 1-6450520-6   | D<br>C<br>B<br>A |       |    |    |    | Y5     | Y5 | Y5 | Y5 | Y5 | Y5 |       |    |    |    |
|               |                  |       |    |    |    | R5     | R5 | R5 | R5 | R5 | R5 |       |    |    |    |
|               |                  |       |    |    |    | O5     | O5 | O5 | O5 | O5 | O5 |       |    |    |    |
| 4P + 24S + 4P |                  |       |    |    |    |        |    |    |    |    |    |       |    |    |    |



THIS DRAWING IS A CONTROLLED DOCUMENT.

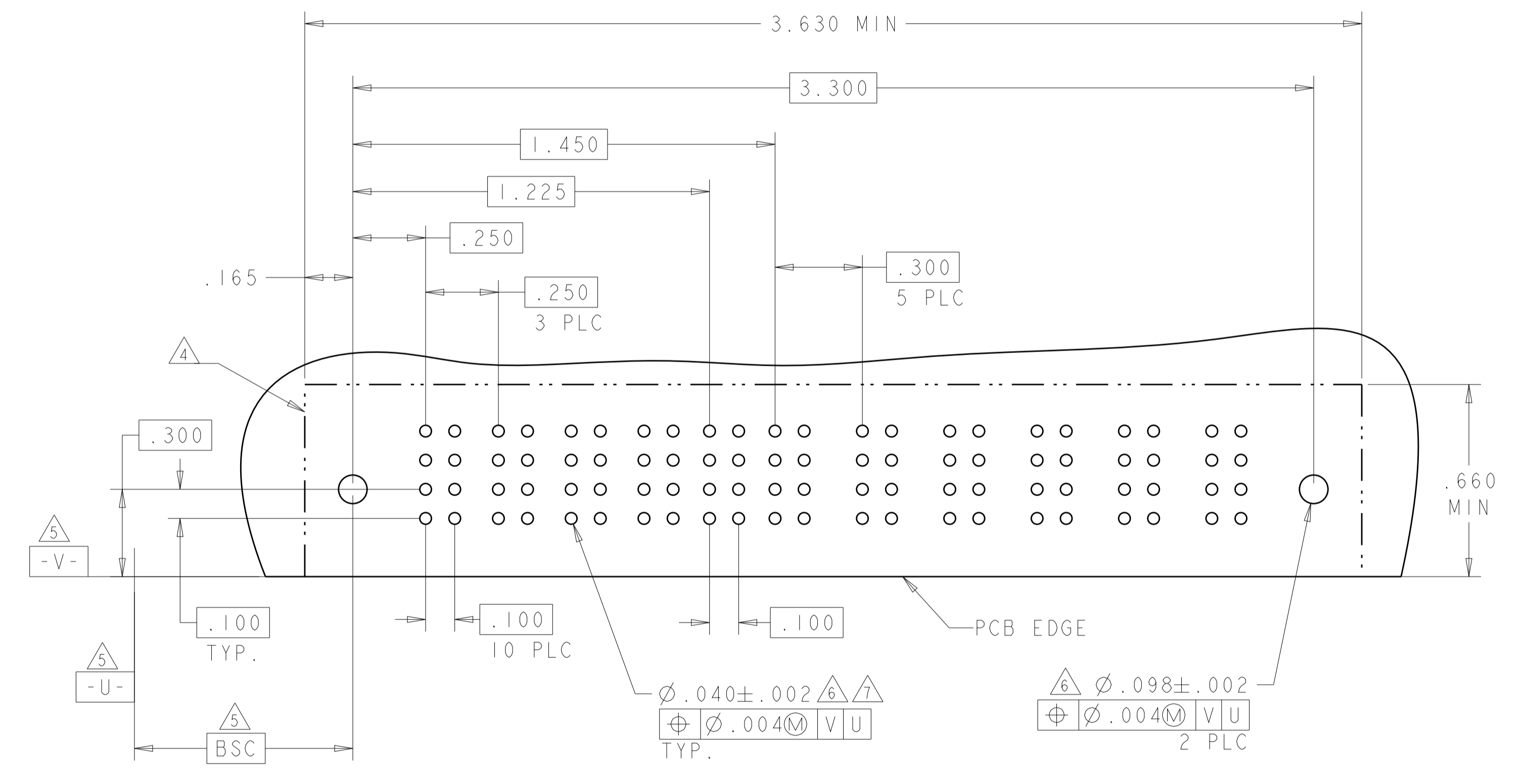
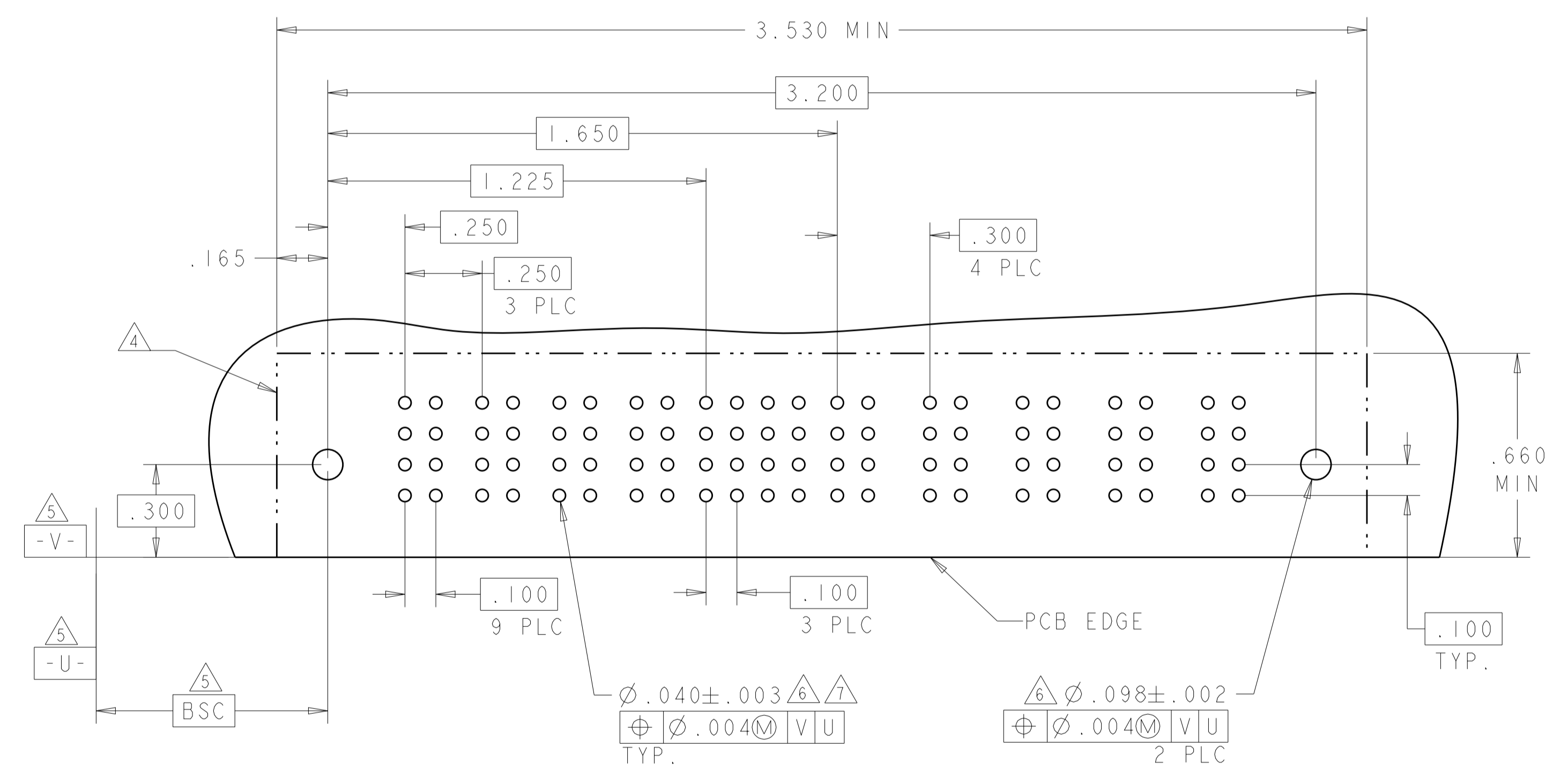
|             |  |                  |   |            |
|-------------|--|------------------|---|------------|
| DIMENSIONS: | TOLERANCES UNLESS OTHERWISE SPECIFIED: | OWN              | T. ZHANG  | 17MAY2006  |
| INCHES      | 0 PLC ± .01                            | CHK              | G. ZHANG  | 17MAY2006  |
|             | 1 PLC ± .01                            | APPV             | S. ZHAO   | 17MAY2006  |
|             | 2 PLC ± .01                            | NAME             | RIGHT ANGLE HEADER ASSEMBLY W/ GUIDE, PRESS FIT MULTI-BEAM XL |            |
|             | 3 PLC ± .005                           | PRODUCT SPEC     | 108-1973  |            |
|             | 4 PLC ± .0020                          | APPLICATION SPEC | 114-13038   |            |
| MATERIAL    | FINISH                                 | SIZE             | CAGE CODE   | DRAWING NO |
|             |  | A1               | 00779   | C=6450520  |
|             |  | CUSTOMER DRAWING | SCALE   | 4:1        |
|             |  |                  | SHEET   | 6 OF 7     |
|             |  |                  | REV   | E6         |

STC TE Connectivity

| LOC         | DIST | REV | DATE | BY | APPV |
|-------------|------|-----|------|----|------|
| ES          | 00   |     |      |    |      |
| REVISIONS   |      |     |      |    |      |
| DESCRIPTION |      |     | DATE | BY | APPV |
| SEE SHEET 1 |      |     |      |    |      |

| PART NUMBER       | ROWS             | POWER |    |    |    | SIGNAL |    |   |   | POWER |    |    |    |    |
|-------------------|------------------|-------|----|----|----|--------|----|---|---|-------|----|----|----|----|
|                   |                  | P1    | P2 | P3 | P4 | 1      | 2  | 3 | 4 | P5    | P6 | P7 | P8 | P9 |
| E6<br>1-6450520-7 | D<br>C<br>B<br>A | PT    | PT | PT | PT | Z5     | Z5 |   |   | PT    | PT | PT | PT | PT |
|                   |                  |       |    |    |    | Y5     | Y5 |   |   |       |    |    |    |    |
|                   |                  |       |    |    |    | R5     | R5 |   |   |       |    |    |    |    |
|                   |                  |       |    |    |    | O5     | O5 |   |   |       |    |    |    |    |
| 4P + 16S + 5P     |                  |       |    |    |    |        |    |   |   |       |    |    |    |    |

| PART NUMBER       | ROWS             | POWER |    |    |    | SIGNAL |    | POWER |    |    |    |    |     |
|-------------------|------------------|-------|----|----|----|--------|----|-------|----|----|----|----|-----|
|                   |                  | P1    | P2 | P3 | P4 | 1      | 2  | P5    | P6 | P7 | P8 | P9 | P10 |
| E6<br>1-6450520-8 | D<br>C<br>B<br>A | PT    | PT | PT | PT | Z5     | Z5 | PT    | PT | PT | PT | PT | PT  |
|                   |                  |       |    |    |    | Y5     | Y5 |       |    |    |    |    |     |
|                   |                  |       |    |    |    | R5     | R5 |       |    |    |    |    |     |
|                   |                  |       |    |    |    | O5     | O5 |       |    |    |    |    |     |
| 4P + 8S + 6P      |                  |       |    |    |    |        |    |       |    |    |    |    |     |



|  |        |                             |                               |           |
|--|--------|-----------------------------|-------------------------------|-----------|
| THIS DRAWING IS A CONTROLLED DOCUMENT. |        | OWN                         | T. ZHANG                      | 17MAY2006 |
| DIMENSIONS:                            |        | CHK                         | G. ZHANG                      | 17MAY2006 |
| INCHES                                 |        | APVD                        | S. ZHAO                       | 17MAY2006 |
| TOLERANCES UNLESS OTHERWISE SPECIFIED: |        | NAME                        |                               |           |
| 0 PLC                                  | ±      | RIGHT ANGLE HEADER ASSEMBLY |                               |           |
| 1 PLC                                  | ±.01   | W/ GUIDE, PRESS FIT         |                               |           |
| 2 PLC                                  | ±.005  | MULTI-BEAM XL               |                               |           |
| 3 PLC                                  | ±.002  | PRODUCT SPEC                | 108-1973                      |           |
| 4 PLC                                  | ±.0020 | APPLICATION SPEC            | 114-13038                     |           |
| ANGLES                                 | ±.0020 | WEIGHT                      | -                             |           |
| FINISH                                 | ±.0020 | CUSTOMER DRAWING            | SCALE 4:1 SHEET 7 OF 7 REV E6 |           |

# Mouser Electronics

Authorized Distributor

Click to View Pricing, Inventory, Delivery & Lifecycle Information:

[TE Connectivity:](#)

[1-6450520-3](#)