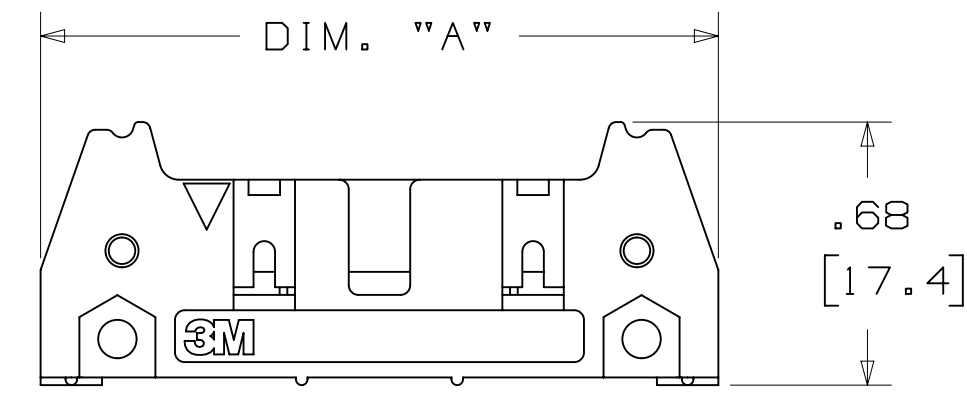
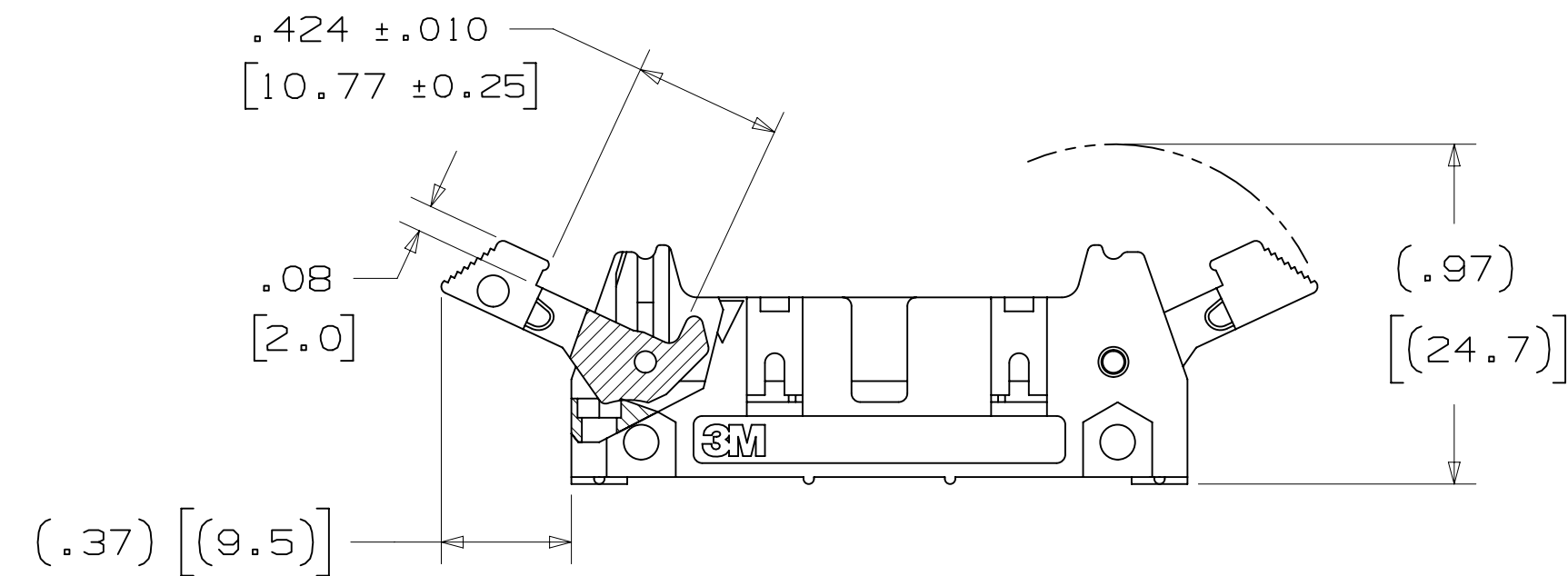


3M™ FOUR-WALL HEADER, 3000 SERIES

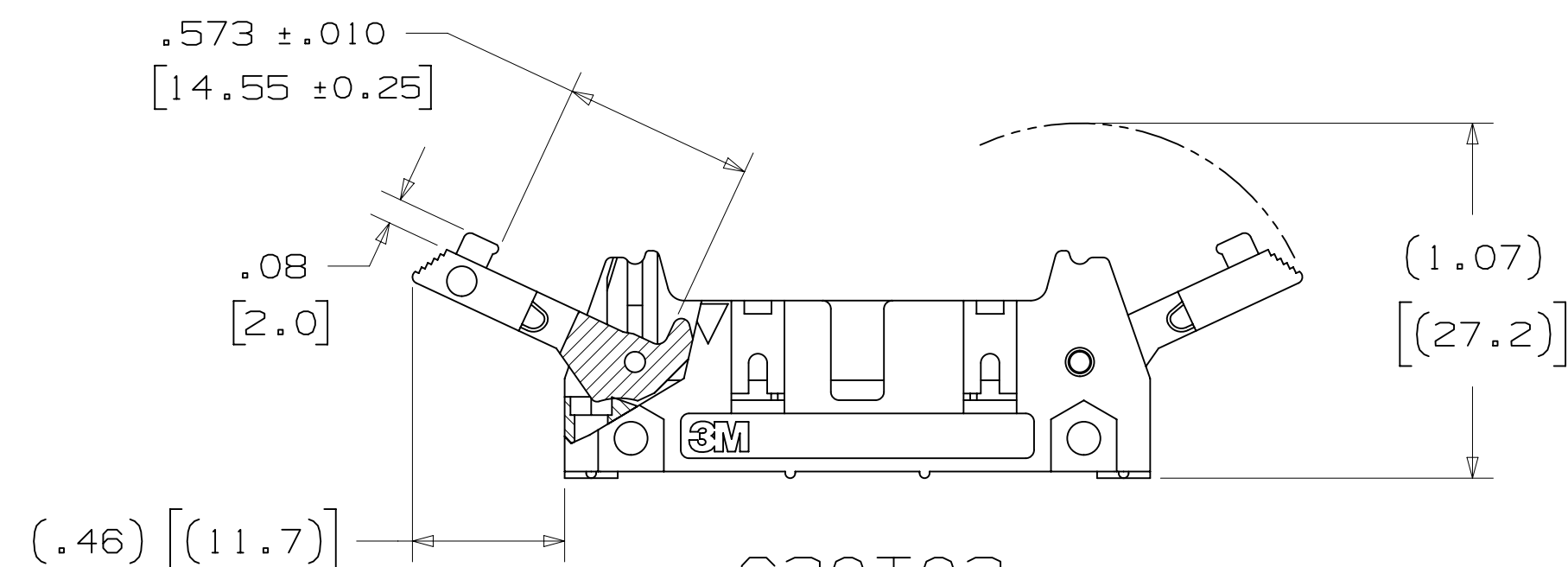
.100" X .100" LATCH/EJECTOR, STRAIGHT, COMPLIANT PIN



-600T02
HEADER WITHOUT LATCH/EJECTOR



-620T02
HEADER WITH SHORT LATCH/EJECTOR
FOR 3M SOCKETS WITHOUT STRAIN RELIEF



-630T02
HEADER WITH LONG LATCH/EJECTOR
FOR 3M SOCKETS WITH STRAIN RELIEF

- * MILITARY (WITH 3M'S N3518 POLARIZING KEY) AND CENTERBUMP POLARIZATION.
- * OPTIONAL EJECTOR LATCHES.
- * MOUNTING HOLES FOR SECURING HEADER TO BOARD.
- * DEPENDABLE EYE-OF-THE-NEEDLE PIN DESIGN.
- * OPTIONAL POLARIZING POSTS AVAILABLE.
- * HIGH TEMPERATURE INSULATOR.

2 PHYSICAL :

INSULATOR: GLASS FILLED POLYESTER (PCT)
 MATERIAL: UL94V-0
 FLAMMABILITY: BLACK
 COLOR: COPPER ALLOY
 CONTACT: MATERIAL: COPPER ALLOY
 PLATING: UNDER PLATING: 100μ" [2.54μm] NICKEL
 WIPING AREA: 30μ" [0.76μm] AVG. GOLD
 SOLDER TAILS: 100μ" [2.54μm] TIN LEAD OR 300μ" [7.62μm] MATTE TIN
 (SEE ORDERING INFORMATION)
 MARKINGS: 3M LOGO, PART IDENTIFICATION NUMBER AND ORIENTATION TRIANGLE

2 ELECTRICAL :

CURRENT RATING: 1A
 INSULATION RESISTANCE: >1 X 10⁹Ω AT 500 V_{DC}
 WITHSTANDING VOLTAGE: 1,000V_{RMS} AT SEA LEVEL

2 ENVIRONMENTAL :

TEMPERATURE RATING: -55° C TO 105° C

- NOTES
1. REGULATORY INFORMATION: ROHS COMPLIANT. SEE THE REGULATORY INFORMATION APPENDIX (RIA) IN THE "ROHS COMPLIANCE" SECTION OF WWW.3MCONNECTORS.COM FOR COMPLIANCE INFORMATION.
 2. IN THE EVENT OF CONFLICT BETWEEN THIS DATA AND THAT CONTAINED IN THE PRODUCT SPECIFICATION, THE PRODUCT SPECIFICATION TAKES PRECEDENT.
 3. NOTCHES A & C WILL ACCOMMODATE 3M POLARIZING KEY: N3518.
 4. MOUNTING HARDWARE:
 REAR ENTRY:
 #4-24 THREAD CUTTING SCREW (3M PART #3341-5) WITH Ø.116 [2.95] MOUNTING HOLE.
 FRONT ENTRY:
 (PRIOR TO INSTALLATION OF LATCH)
 #2-56 BOLT AND NUT (3M PART #3341-6) WITH Ø.106 [2.69] MOUNTING HOLE.

ORDERING INFORMATION

X XXXX-6X0T02XX

N= HIGH TEMP BLACK (PCT)/(RB PLATING REQ'D)
 BLANK= (TC PLATING REQUIRED)

3M PART NUMBER:
 (SEE TABLE 1)

PLATING:
 RB = 30μ" [0.76μm] GOLD WITH MATTE TIN TAILS
 (APP. E1 & C1 APPLY)
 TC = 30μ" [0.76μm] GOLD WITH TIN LEAD TAILS
 (APP. E2 & C2 APPLY)

LATCH/EJECTOR SYSTEM:
 0 = NO LATCH/EJECTOR INSTALLED
 2 = SHORT ROLL PIN LATCH/EJECTORS
 3 = LONG ROLL PIN LATCH/EJECTORS

3M ELECTRONIC MATERIALS SOLUTIONS DIVISION
 INTERCONNECT SOLUTIONS
<http://www.3mconnectors.com>

3M IS A TRADEMARK OF 3M COMPANY.
 FOR TECHNICAL, SALES OR ORDERING
 INFORMATION CALL 800-225-5373

3M US
 UL FILE NO: E68080

DIMENSIONS: INCHES [MM]
 [MM] IS REF. ONLY

DESIGN REFERENCE	NEXT ASSEMBLY	REV	ECO	ISSUE DATE AND DESCRIPTION	DRFT	CHKD
				JUL 31, 2014	JNC	RS
REV	ECO	ISSUE DATE AND DESCRIPTION	DRFT	CHKD	DATE	DATE
		JUL 31, 2014				
APPR	DATE	APPR	DATE	APPR	DATE	DATE
		R. SCHERER	SEP 05, 2014			
DIVISION	INTERCONNECT SOLUTIONS	DIVISION CODE	EMSD	© 3M COPYRIGHT 2015		
DO NOT SCALE DRAWING	SCALE 2/1	TOLERANCES EXCEPT AS NOTED		This document and the information it contains are 3M property and may not be reproduced or further distributed without 3M permission, or used or disclosed other than for 3M authorized purposes. All rights reserved.		
THIRD ANGLE PROJECTION	INCHES .00 ± .01 .000 ± .005 .0000 ±	MILLIMETERS 0 ± .3 .00 ± .13 .000 ±	TITLE HEADER, 4-WALL, .100 X .100 LATCH/EJECTOR, STR, COMPLIANT PIN			
INTERPRET PER ASME Y14.5 - 2009	MAX SURFACE ROUGHNESS	DEF SURFACES	CAGE NUMBER	SIZE	DRAWING NO.	REV.
			D	78-5100-0478-7	E	
			MODEL	3000 SERIES	DET	ISTS YES NO SHT 1 OF 4

78-5100-0478-7
 8:22 AM UTC-06:00
 2/10/2015

3M™ FOUR-WALL HEADER, 3000 SERIES

.100" X .100" LATCH/EJECTOR, STRAIGHT, COMPLIANT PIN

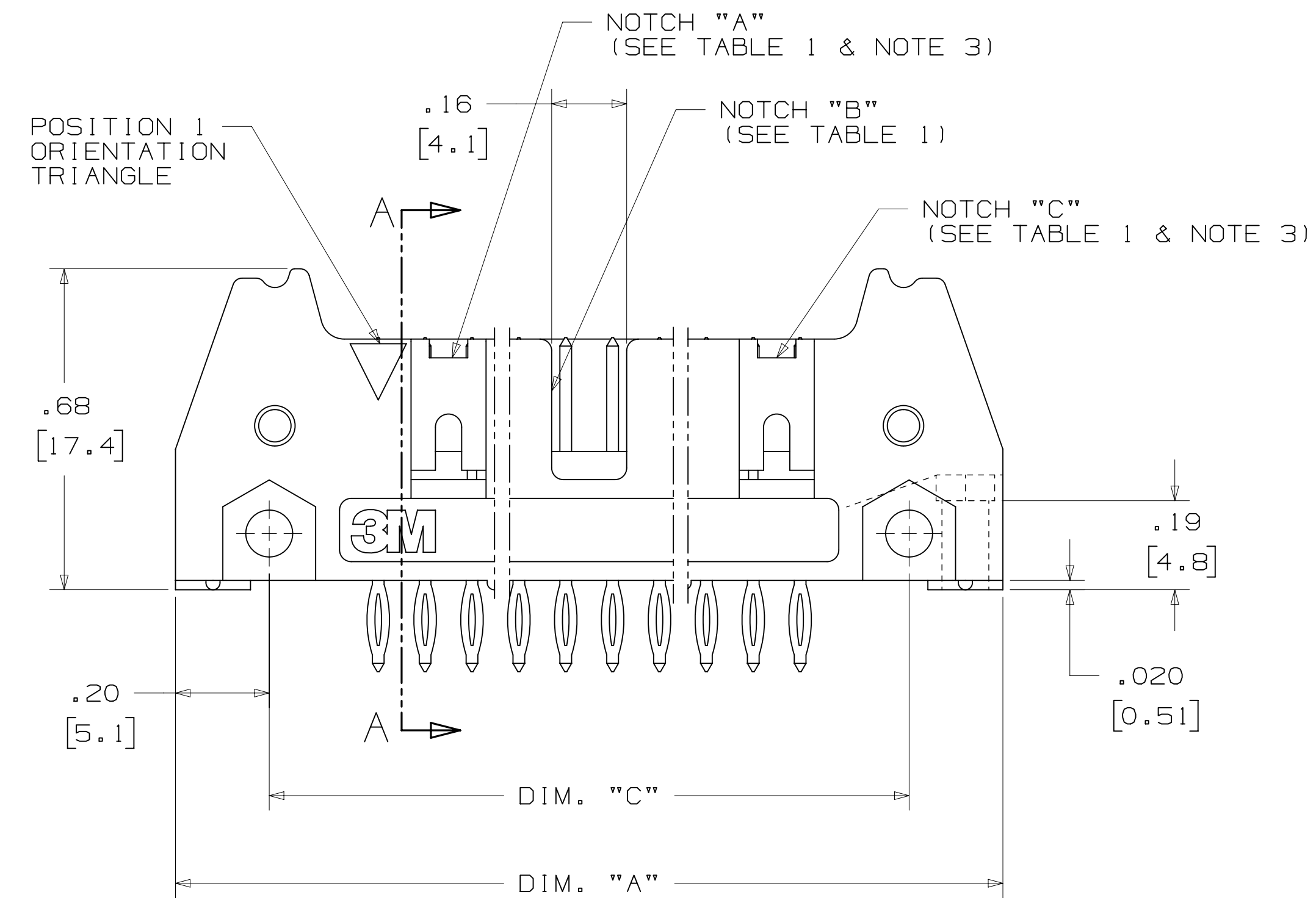
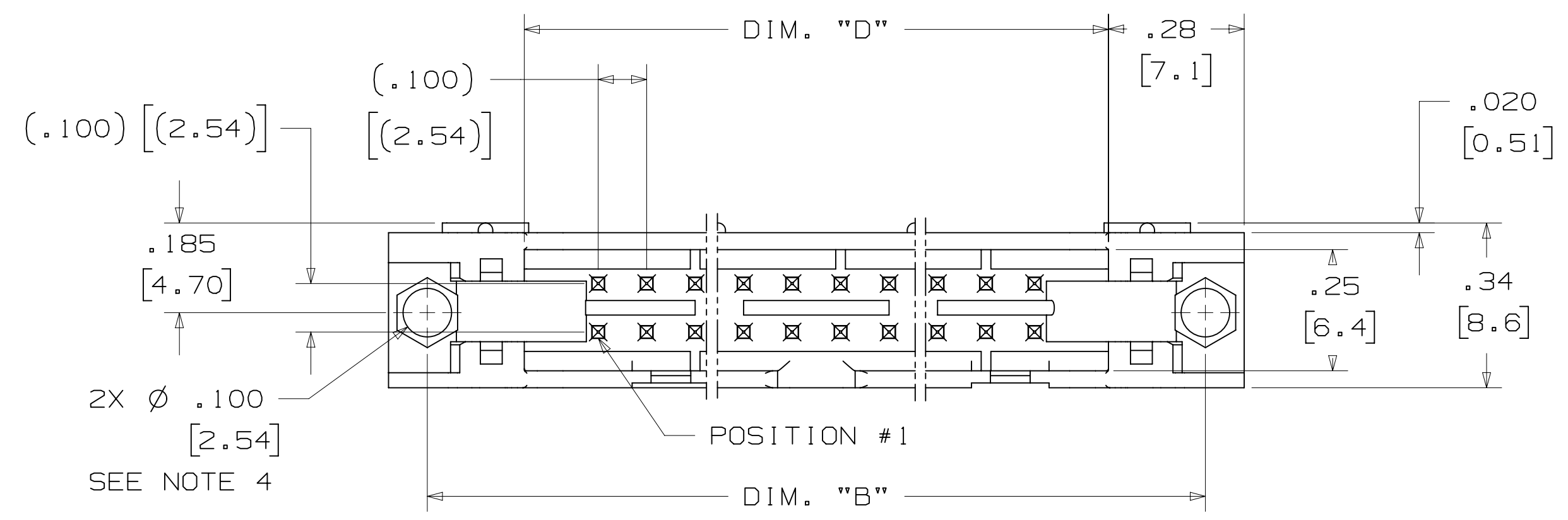
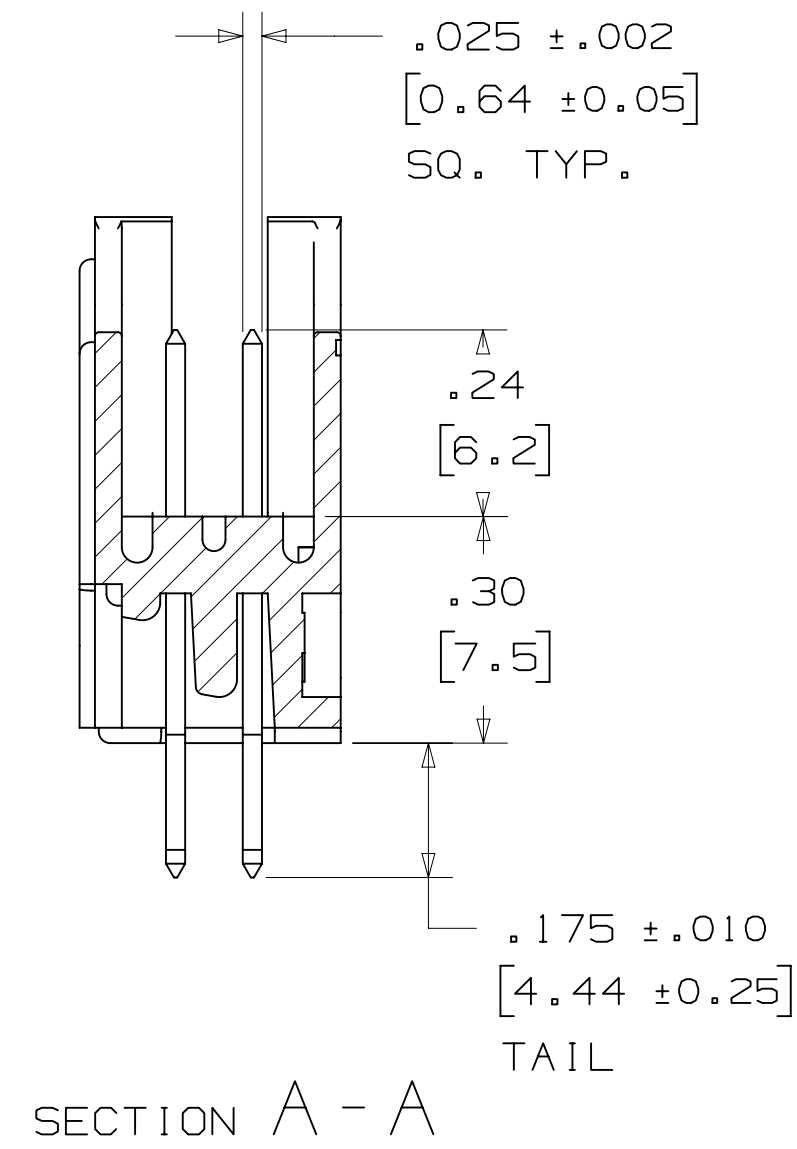


TABLE 1

PIN QTY.	3M PART NUMBER	DIM. "A"	DIM. "B"	DIM. "C"	DIM. "D"	POLARIZING NOTCHES	INSERTION PLATEN 3442-00XX	PIN QTY.
10	3793	1.26 [32.1]	1.105 [28.04]	.865 [21.97]	.71 [18.0]	BC	3442-0048	10
14	3314	1.46 [37.2]	1.305 [33.12]	1.065 [27.05]	.91 [23.1]	BC	3442-0049	14
16	3408	1.56 [39.7]	1.405 [35.66]	1.165 [29.59]	1.01 [25.6]	ABC	3442-0050	16
20	3428	1.76 [44.8]	1.604 [40.74]	1.365 [34.67]	1.21 [30.7]	ABC	3442-0051	20
24	3627	1.96 [49.9]	1.805 [45.82]	1.565 [39.75]	1.41 [35.8]	ABC	3442-0052	24
26	3429	2.06 [52.4]	1.905 [48.36]	1.665 [42.29]	1.51 [38.3]	ABC	3442-0053	26
30	3440	2.26 [57.5]	2.105 [53.44]	1.865 [47.37]	1.71 [43.4]	ABC	3442-0054	30
34	3431	2.46 [62.6]	2.305 [58.52]	2.065 [52.45]	1.91 [48.5]	ABC	3442-0055	34
40	3432	2.76 [70.2]	2.605 [66.14]	2.365 [60.07]	2.21 [56.1]	ABC	3442-0056	40
50	3433	3.26 [82.9]	3.105 [78.84]	2.865 [72.77]	2.71 [68.8]	ABC	3442-0057	50
60	3372	3.76 [95.6]	3.605 [91.54]	3.365 [85.47]	3.21 [81.5]	ABC	3442-0058	60
64	3764	3.96 [100.7]	3.805 [96.62]	3.565 [90.55]	3.41 [86.6]	ABC	3442-0059	64

ASSEMBLY EQUIPMENT:
USE 3442-00XX PLATEN (SEE TABLE #1) AND APPROPRIATE COMMERCIAL ARBOR PRESS TO PRESS HEADER INTO PC BOARD.

DESIGN REFERENCE	NEXT ASSEMBLY	REV	ECO	ISSUE DATE AND DESCRIPTION	DRFT	CHKD
				JUL 31, 2014	JNC	RS
DIVISION		3M Center		St. Paul, MN 55144		
Interconnect Solutions		EMSD		© 3M COPYRIGHT 2015		
DO NOT SCALE DRAWING		SCALE 4-1		TOLERANCES EXCEPT AS NOTED		
THIRD ANGLE PROJECTION		INCHES		.00 ± .01		
INTERPRET PER ASME Y14.5 - 2009		MILLIMETERS		.000 ± .005		
MAX SURFACE ROUGHNESS		SURFACES		0 ± .3		
MARKED ONLY		ANGLES		.00 ± .13		
TITLE		HEADER, 4-WALL, .100 X .100 LATCH/EJECTOR, STR, COMPLIANT PIN				
CAGE NUMBER		DRAWING NO.		REV.		
D78-5100-0478-7		E		SHT 2 OF 4		
MODEL		3000 SERIES		DEF. [] YES [X] NO		

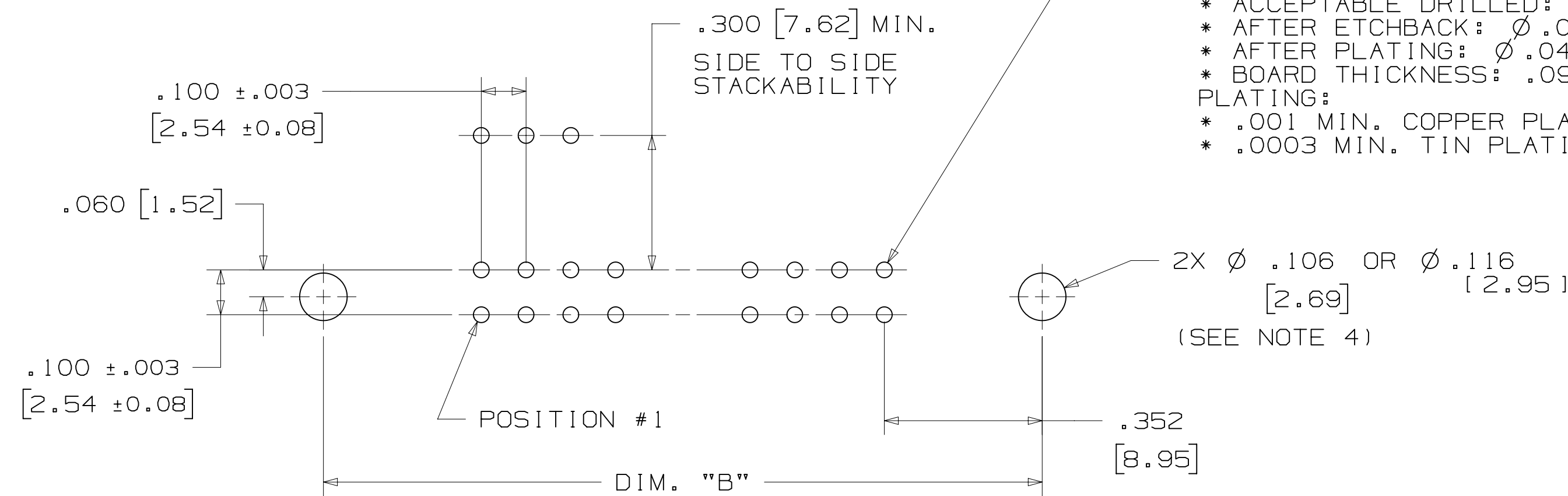
78-5100-0478-7
DRAWING NUMBER
E
REV. DATE
JUL 31, 2014
MFG DATE
R. SCHERER
DATE
SEP 05, 2014
3M
St. Paul, MN 55144
© 3M COPYRIGHT 2015
This document and the information it contains are 3M property and may not be reproduced or further distributed without 3M permission, or used or disclosed other than for 3M authorized purposes. All rights reserved.
CAGE NUMBER DRAWING NO. REV. E
D78-5100-0478-7
MODEL 3000 SERIES DEF. [] YES [X] NO SHT 2 OF 4
Imaged: E.4 2/10/2015 8:22 AM UTC-06:00

3M™ FOUR-WALL HEADER, 3000 SERIES

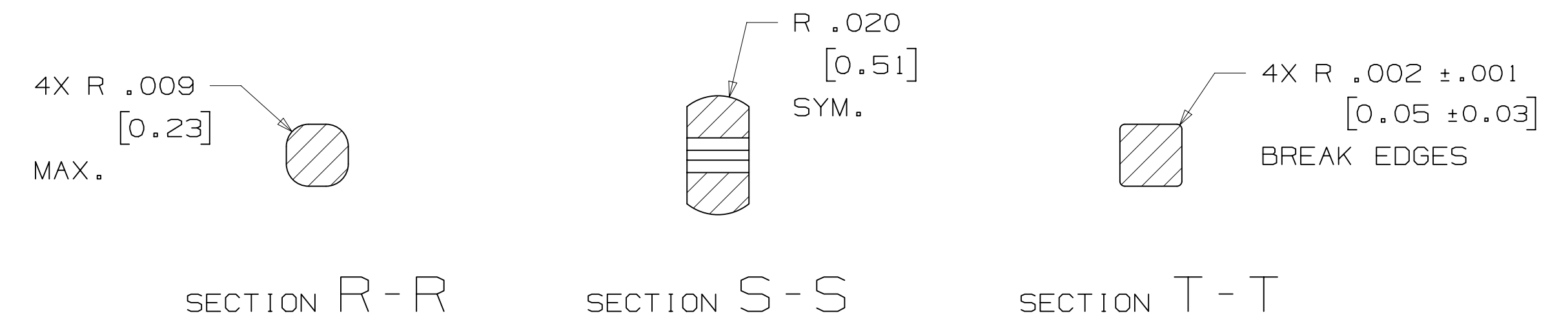
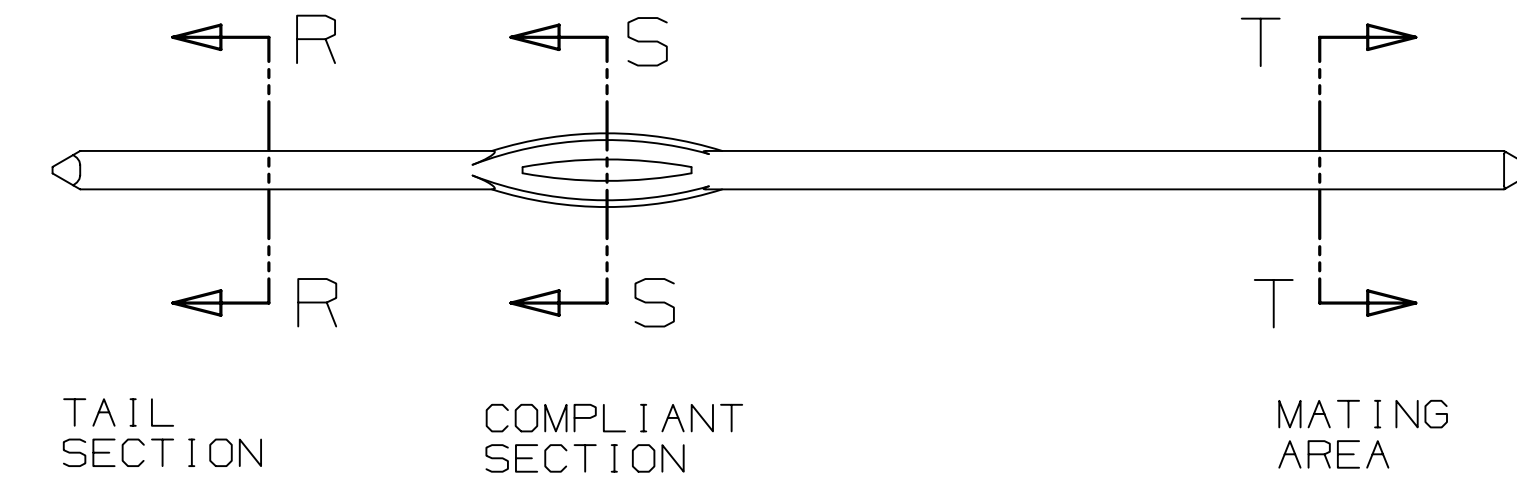
.100" X .100" LATCH/EJECTOR, STRAIGHT, COMPLIANT PIN

NOTE:
PCB HOLE SIZES AND TOLERANCES RECOMMENDED FOR USE WITH 3M'S COMPLIANT PIN HEADER. THE INSERTION FORCE IS DESIGNED NOT TO EXCEED 40 POUNDS PER PIN AND THE WITHDRAWAL FORCE IS NOT LESS THAN 10 POUNDS PER PIN.

HOLE SIZE FOR:
 * PREFERRED DRILLED: $\phi .0453 \pm .0005$
 * ACCEPTABLE DRILLED: $\phi .0453 + .0005 / - .0010$
 * AFTER ETCHBACK: $\phi .0460$ MAX.
 * AFTER PLATING: $\phi .040 \pm .003$
 * BOARD THICKNESS: .093 TO .150
PLATING:
 * .001 MIN. COPPER PLATING THICKNESS
 * .0003 MIN. TIN PLATING



RECOMMENDED MOUNTING HOLE PATTERN



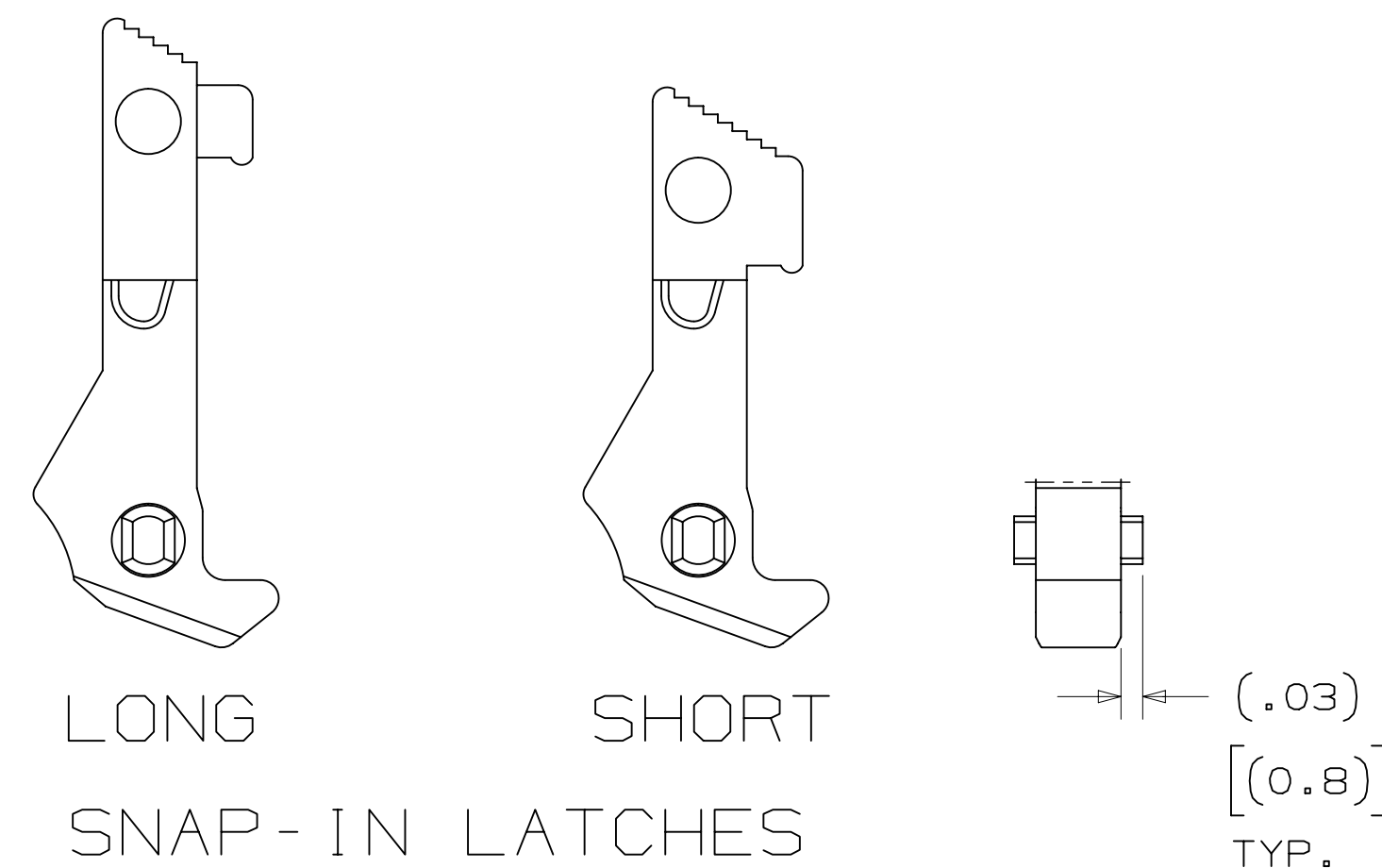
PART CUSTOMIZATION

THIS SPEC SHEET DETAILS OUR STANDARD OFFERING.

3M HAS SEVERAL CAPABILITIES THAT CAN PROVIDE A PART TAILORED TO YOUR SPECIFIC NEEDS. ASK YOUR 3M SALES REPRESENTATIVE OR CUSTOMER SERVICE FOR MORE DETAILS.

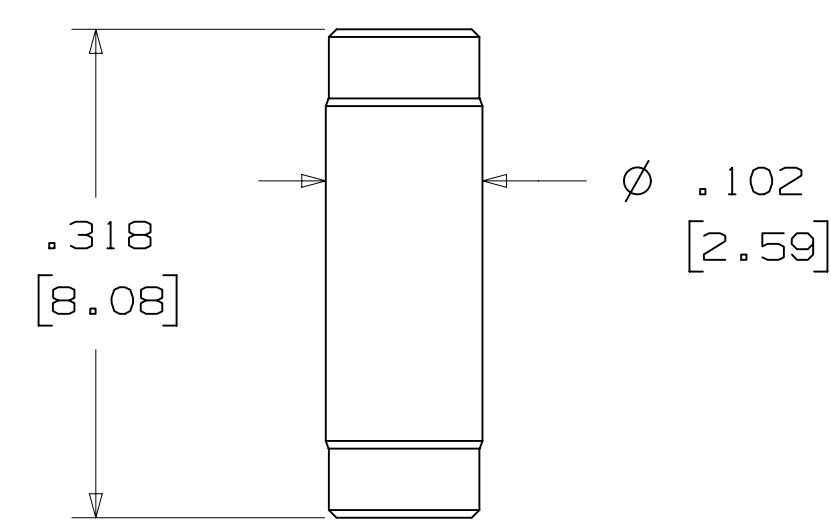
BOTH SNAP-IN AND ROLL PIN LATCHES MAY BE ORDERED SEPARATELY. SNAP-IN AND ROLL PIN STYLE LATCHES ARE DIMENSIONALLY AND FUNCTIONALLY EQUIVALENT. IF ORDERING SNAP-IN OR ROLL PIN STYLE LATCHES SEPARATELY, PLEASE USE THE BELOW CHART.

MATERIAL	SHORT LATCH	LONG LATCH	LATCH STYLE	COLOR
HIGH TEMP. (PCT)	N3505-2B	N3505-3B	ROLL PIN	BLACK
HIGH TEMP (PPA)	N3505-30B	N3505-31B	SNAP-IN	BLACK



NOTE:
SNAP-IN LATCHES CAN ONLY BE ORDERED SEPARATELY AND ARE THE CUSTOMERS RESPONSIBILITY TO INSTALL.

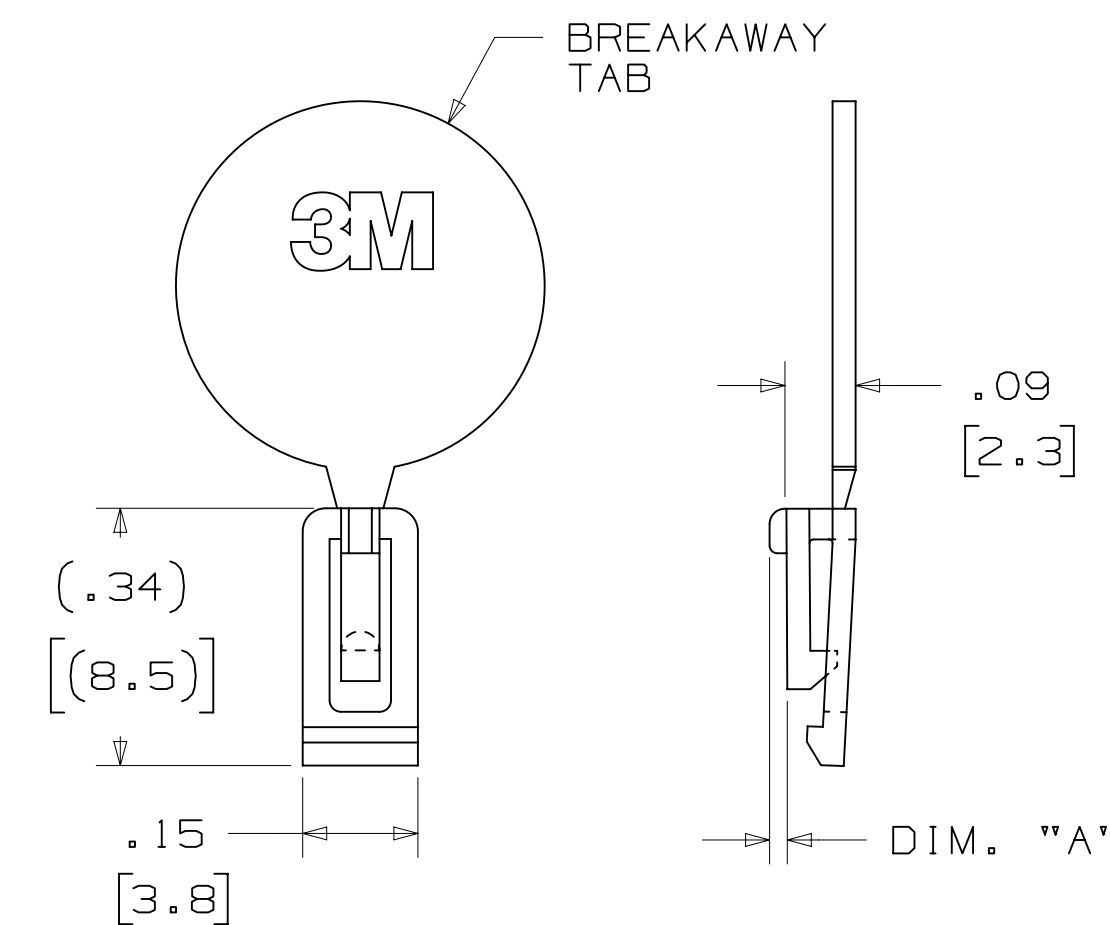
POLARIZING POST



3M PART NO.	MATERIAL	COLOR
3201-4	LCP	BLACK

NOTE:
INSERT POST INTO ONE MOUNTING HARDWARE HOLE ON BOTTOM OF HEADER. SET POST TO PROTRUDE .115 [2.92]

POLARIZING KEY



3M PART NO.	MATERIAL	COLOR	DIM. "A"
N3518	LCP	BLACK	.02

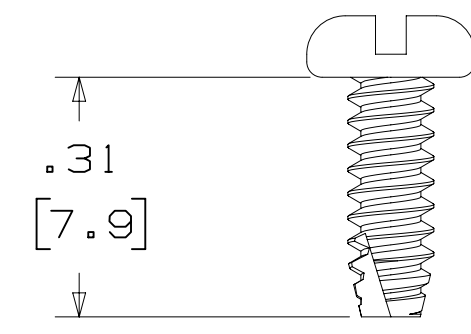
NOTE:
#2216 B/A SCOTCHWELD CAN BE USED TO ADHERE KEYS.

DESIGN REFERENCE	NEXT ASSEMBLY	REV	ECO	ISSUE DATE AND DESCRIPTION	DRFT	CHKD
				JUL 31, 2014	JNC	RS
DIVISION: Interconnect Solutions SCALE: 4/1 TOLERANCES EXCEPT AS NOTED: INCHES: .00 ± .01, .000 ± .005, .0000 ± .0000; MILLIMETERS: 0 ± .03, .00 ± .13 INTERPRET PER ASME Y14.5 - 2009 MAX SURFACE ROUGHNESS: 12.5 SURFACES MARKED ONLY		DIVISION CODE: EMSD DATE: JUL 31, 2014 APPR: R. SCHERER DATE: SEP 05, 2014		TITLE: HEADER, 4-WALL, .100 X .100 LATCH/EJECTOR, STR, COMPLIANT PIN CAGE NUMBER: D78-5100-0478-7 MODEL: 3000 SERIES DET: [] YES [X] NO SHT 3 OF 4		

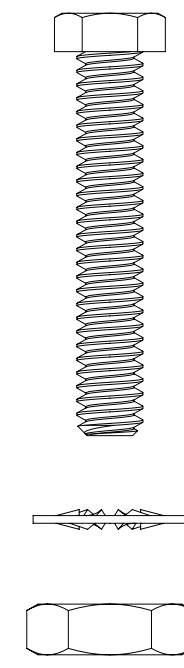
178-5100-0478-7
 E
 REVISION
 8:22 AM UTC-06:00
 2/10/2015

3M™ FOUR-WALL HEADER, 3000 SERIES
 .100" X .100" LATCH/EJECTOR, STRAIGHT, COMPLIANT PIN

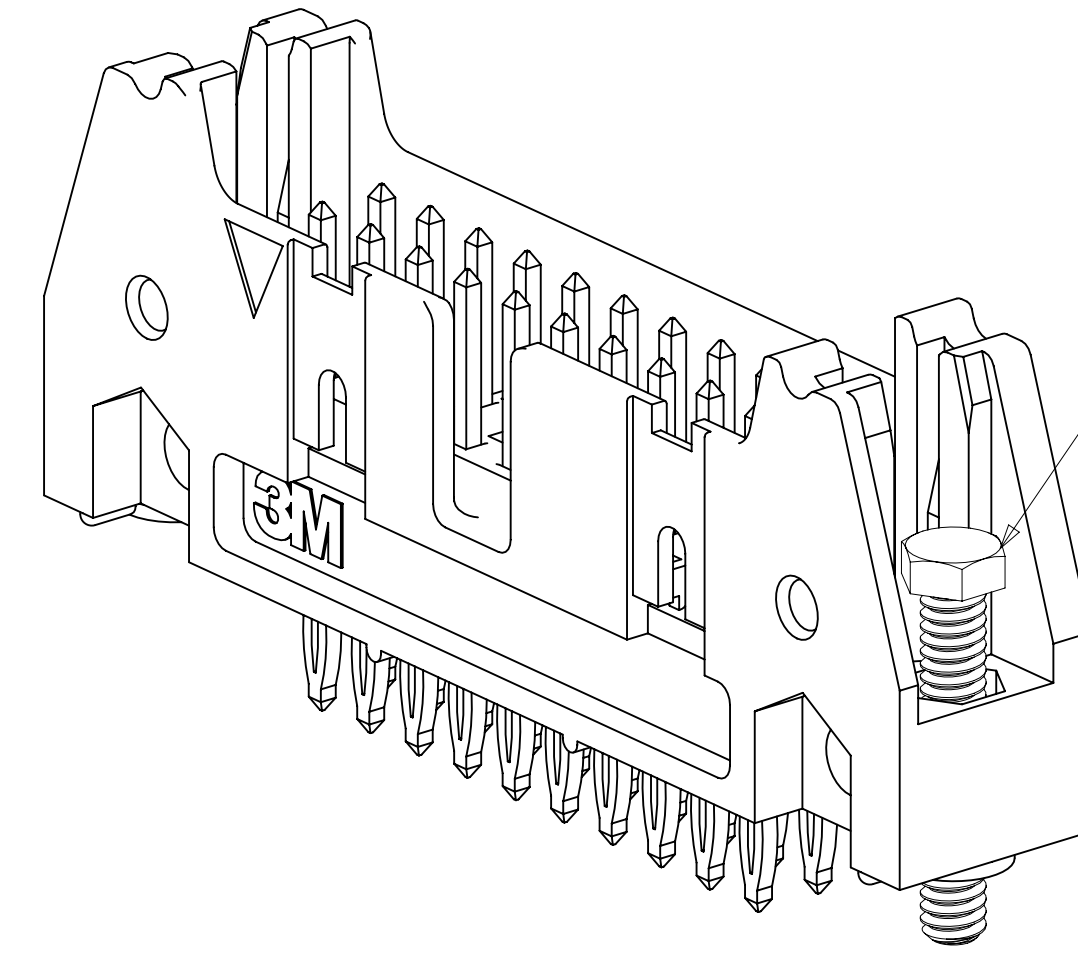
MOUNTING HARDWARE



3341-5
 (INSTALL FROM BOTTOM OF BOARD)
 PANHEAD THREAD CUTTING SCREW:
 #4-24 X 5/16"
 TYPE: USA STD BT, FEDERAL BG
 MATERIAL: STAINLESS STEEL

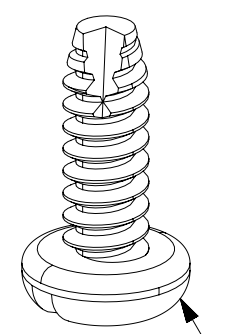
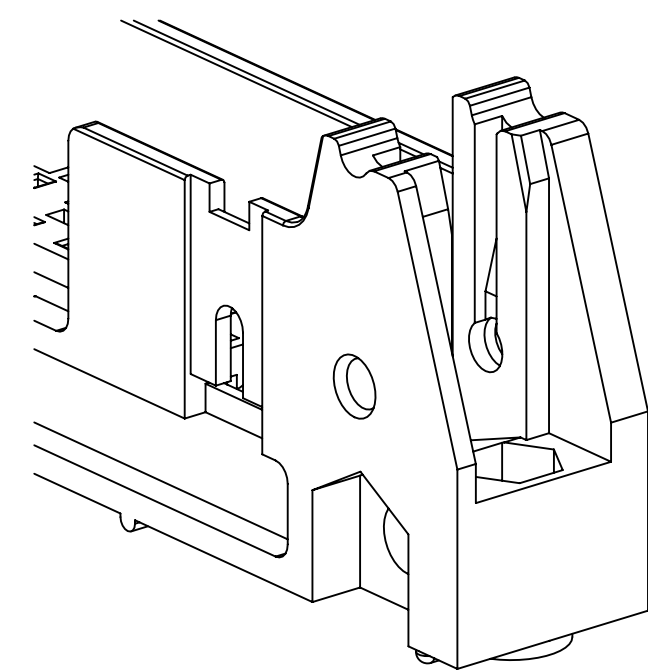
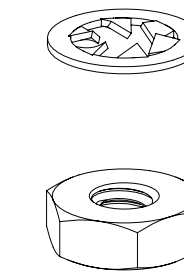


3341-6
 HEX HEAD BOLT, NUT AND WASHER:
 BOLT - #2-56 X 1/2"
 MATERIAL: STAINLESS STEEL



STRAIGHT VERSION INSTALL
 (MUST BE INSERTED PRIOR TO
 LATCH INSTALL)

3341-6
 #2-56 NUT AND BOLT
 TORQUE FOR EACH BOLT: 1.25 - 3.125 INCH LBS.



3341-5
 #4-24 TYPE BT SELF THREADING SCREW
 WHEN USING LATCHES, MAXIMUM LENGTH
 OF SCREW IS .250 INCHES PLUS
 THICKNESS OF THE BOARD.
 TORQUE FOR EACH SCREW IS 3-5 INCH LBS.

DESIGN REFERENCE	NEXT ASSEMBLY	REV	ECO	ISSUE DATE AND DESCRIPTION	DRFT	CHKD
				JUL 31, 2014	JNC	RS
APPROVED	DATE	DATE	DATE	DATE	DATE	DATE
CASTIGLIONE	JUL 31, 2014	R. SCHERER	SEP 05, 2014			
DIVISION	DIVISION CODE	© 3M COPYRIGHT 2015				
Interconnect Solutions	EMSD	This document and the information it contains are 3M property and may not be reproduced or further distributed without 3M permission, or used or disclosed other than for 3M authorized purposes. All rights reserved.				
DO NOT SCALE DRAWING	SCALE 4/1	TOLERANCES EXCEPT AS NOTED				
		INCHES	TITLE			
		.00 ± .01	HEADER, 4-WALL, .100			
		.000 ± .005	X .100 LATCH/EJECTOR,			
		.0000 ±	STR, COMPLIANT PIN			
THIRD ANGLE PROJECTION		MILLIMETERS	CAGE NUMBER			
INTERPRET PER ASME Y14.5 - 2009		0 ±	D 78-5100-0478-7			
		.0 ± .3	DRAWING NO.			
MAX SURFACE ROUGHNESS		.00 ± .13	REV.			
UNFINISHED SURFACES		.000 ±	E			
MARKED ONLY		ANGLES	MODEL			
			3000 SERIES			
			IESTS <input type="checkbox"/> YES <input checked="" type="checkbox"/> NO SHT 4 OF 4			

E 56068 JUL 31, 2014 JNC RS
 78-5100-0478-7
 8:22 AM UTC-06:00

Mouser Electronics

Authorized Distributor

Click to View Pricing, Inventory, Delivery & Lifecycle Information:

3M:

[3408-660T02TC](#) [3428-5002UG](#) [3429-600T02TC](#) [3429-660T02TC](#) [3432-660T02TC](#) [3433-650T02TC](#) [3440-650T02TC](#) [3442-126](#) [3627-660T02TC](#) [3764-600T02TC](#) [3764-660T02TC](#) [3793-600T02TC](#) [3372-600T02TC](#) [3372-650T02TC](#) [3428-6605](#) [3440-660T02TC](#) [N3793-650T02RB](#) [N3408-660T02RB](#) [N3764-660T02RB](#) [3429-630T02TC](#) [N3432-630T02RB](#) [N3432-650T02RB](#) [3314-660T02TC](#) [3793-660T02TC](#) [3431-660T02TC](#) [3428-660T02TC](#) [3627-650T02TC](#) [3408-600T02TC](#) [3431-600T02TC](#) [3432-600T02TC](#) [3433-600T02TC](#) [3442-0052](#) [N3314-600T02RB](#) [N3314-620T02RB](#) [N3314-630T02RB](#) [N3372-600T02RB](#) [N3372-620T02RB](#) [N3372-630T02RB](#) [N3408-600T02RB](#) [N3408-620T02RB](#) [N3408-630T02RB](#) [N3428-600T02RB](#) [N3428-620T02RB](#) [N3428-630T02RB](#) [N3428-650T02RB](#) [N3428-660T02RB](#) [N3429-600T02RB](#) [N3429-620T02RB](#) [N3429-630T02RB](#) [N3431-600T02RB](#) [N3431-620T02RB](#) [N3431-630T02RB](#) [N3432-600T02RB](#) [N3432-620T02RB](#) [N3433-600T02RB](#) [N3433-620T02RB](#) [N3433-630T02RB](#) [N3440-600T02RB](#) [N3440-620T02RB](#) [N3440-630T02RB](#) [N3627-600T02RB](#) [N3627-620T02RB](#) [N3627-630T02RB](#) [N3764-600T02RB](#) [N3764-620T02RB](#) [N3764-630T02RB](#) [N3764-650T02RB](#) [N3793-600T02RB](#) [N3793-620T02RB](#) [N3793-630T02RB](#) [3428-5502UG](#) [3433-660T02TC](#) [N3314-660T02RB](#) [N3432-660T02RB](#) [N3793-660T02RB](#)