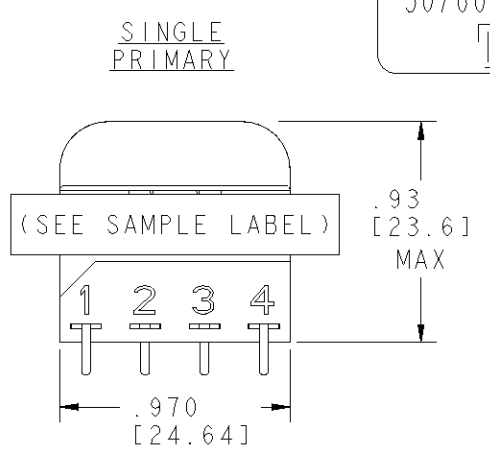
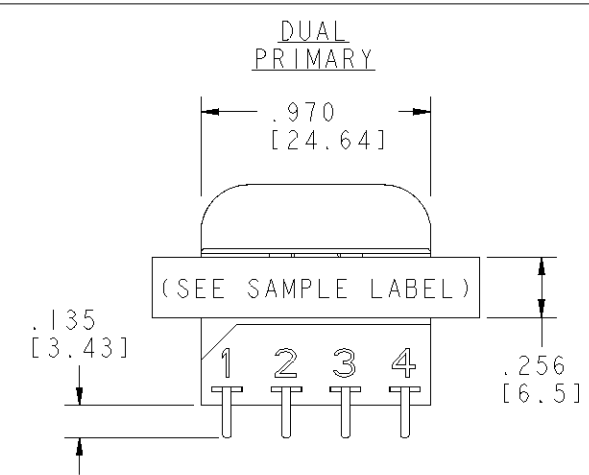


THIS DRAWING IS UNPUBLISHED. RELEASED FOR PUBLICATION 20
 © COPYRIGHT 20 BY ALL RIGHTS RESERVED.

LOC		DIST		REVISIONS			
P	LTR	DESCRIPTION	DATE	OWN	APVD		
GZ	00	F1	REVISED PER ECO-11-005139	28MAR11	RK	HMR	

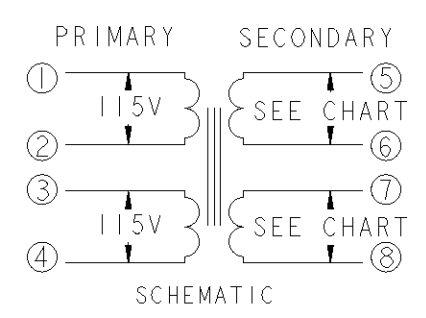
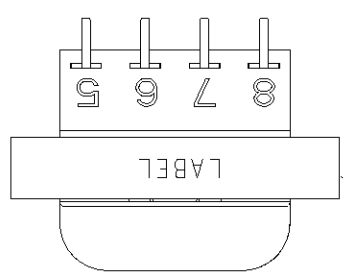
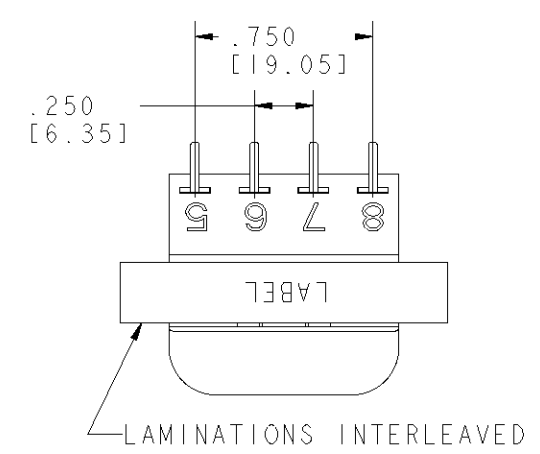
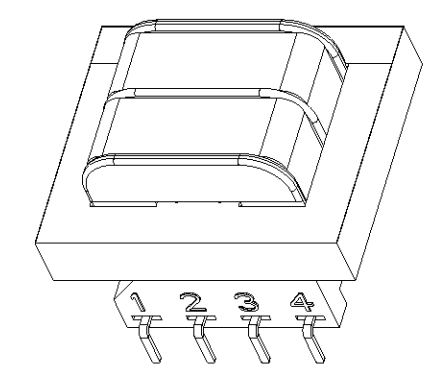
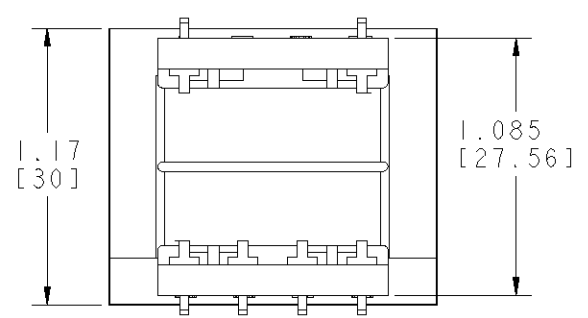
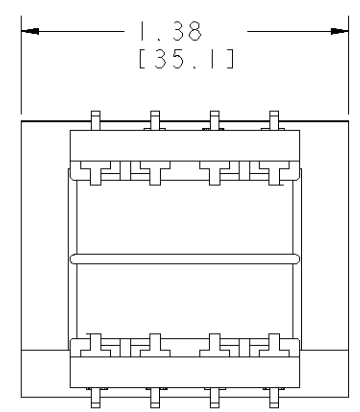
4900-XXXXRA60
 50/60HZ 1.1VA SEC-6/12 VAC
 115V 115V



SAMPLE LABEL
 SCALE: 5:1
 VOLTAGE ON LABEL WILL VARY PER MODEL NUMBER

CERTIFICATION: UL/CUL FILE NO. E102980	HZ.	V.A.
DIMENSIONS FOR REFERENCE ONLY.	50/60	1.1

PRIMARY	SECONDARY		P. U. PART NUMBER	TE Connectivity PART NUMBER
	SERIES	PARALLEL		
115 VAC	12 VCT	6 VAC	4900-8012RA60	1672324-2
115 VAC	12.6 VCT	6.3 VAC	4900-8013RA60	1672324-3
115 VAC	20 VCT	10 VAC	4900-8020RA60	1672324-5
115 VAC	24 VCT	12 VAC	4900-8024RA60	1672324-6
115 VAC	28 VCT	14 VAC	4900-8028RA60	1672324-7
115 VAC	48 VCT	24 VAC	4900-8048RA60	1-1672324-0
115/230 VAC	12 VCT	6 VAC	4900-9012RA60	1-1672324-4
115/230 VAC	12.6 VCT	6.3 VAC	4900-9013RA60	1-1672324-5
115/230 VAC	20 VCT	10 VAC	4900-9020RA60	1-1672324-7
115/230 VAC	24 VCT	12 VAC	4900-9024RA60	1-1672324-8
115/230 VAC	28 VCT	14 VAC	4900-9028RA60	1-1672324-9
115/230 VAC	48 VCT	24 VAC	4900-9048RA60	2-1672324-2



DIMENSIONS: INCHES (mm)		TOLERANCES UNLESS OTHERWISE SPECIFIED:		DWN T. SPRINKLE 16 JUL 2008		TE Connectivity	
0 PLC ±		1 PLC ±		CHK J. HURLBURT 16 JUL 2008		NAME	
2 PLC ±.01(0.25)		3 PLC ±.005(0.13)		APVD J. HURLBURT 16 JUL 2008		TRANSFORMER OUTLINE	
4 PLC ±		ANGLES ±		PRODUCT SPEC		SIZE CAGE CODE DRAWING NO RESTRICTED TO	
MATERIAL		FINISH		APPLICATION SPEC		A200779 C=4900-RA60	
-		-		WEIGHT		CUSTOMER DRAWING SCALE 5:1 SHEET 1 OF 1 REV F1	

4900-RA60

Mouser Electronics

Authorized Distributor

Click to View Pricing, Inventory, Delivery & Lifecycle Information:

[TE Connectivity:](#)

[4900-9020RA60](#)