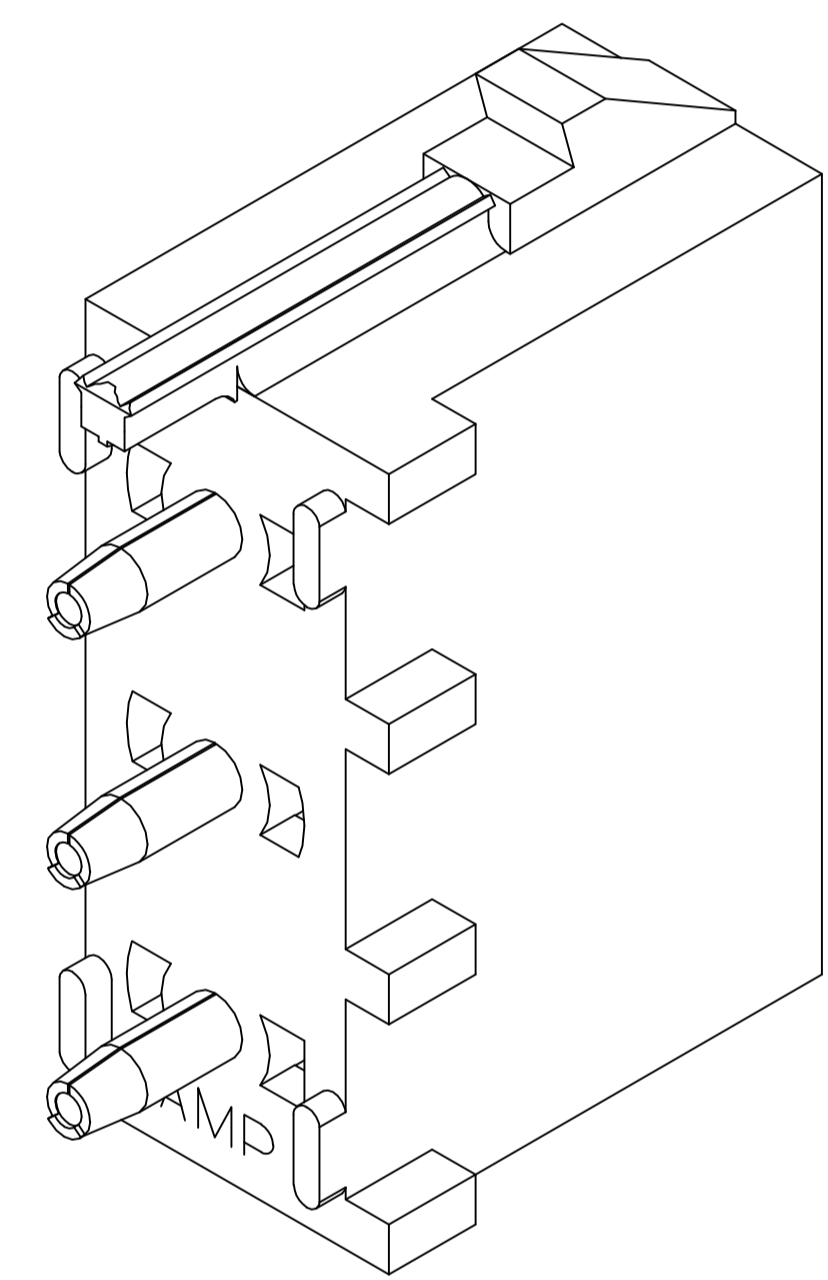
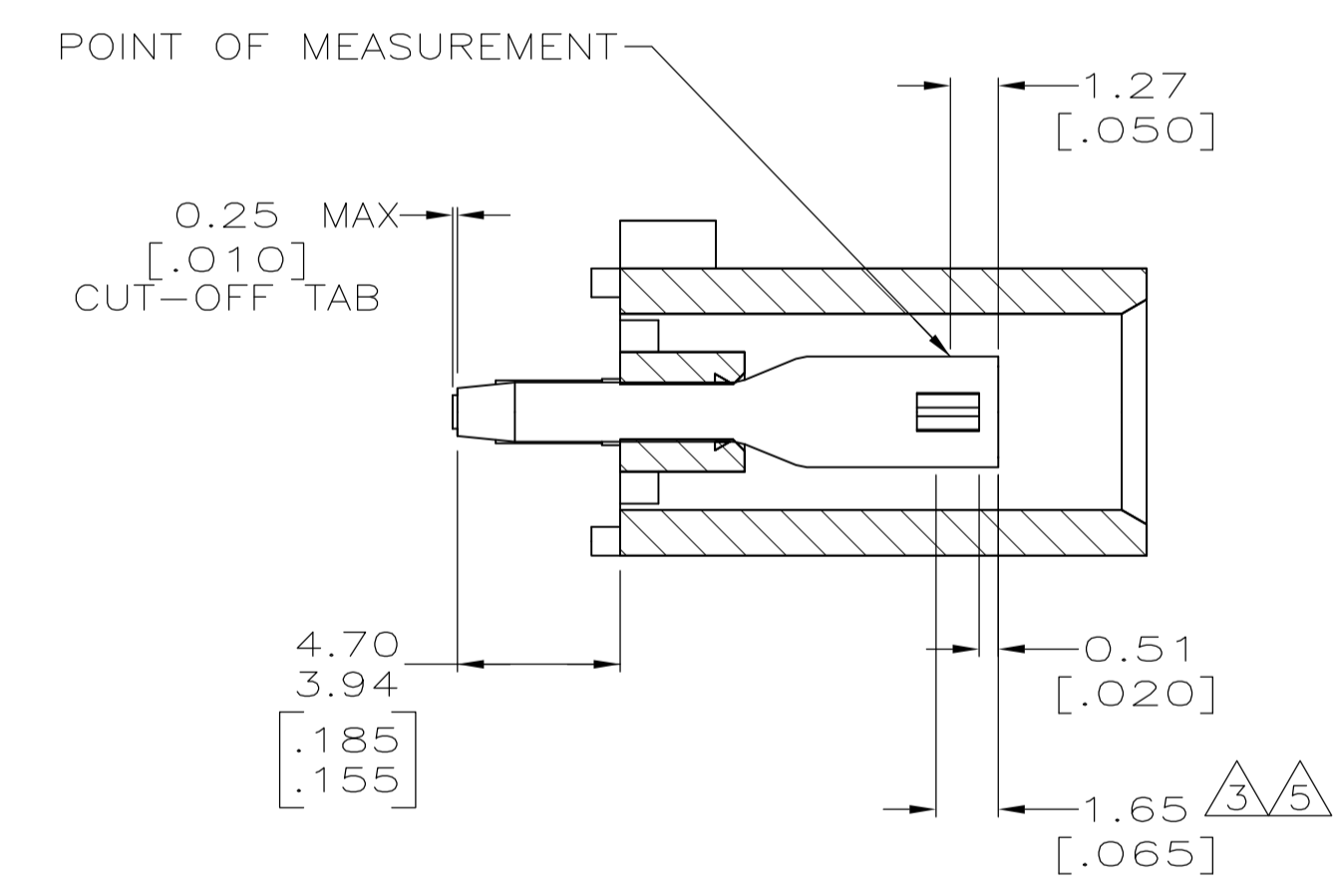
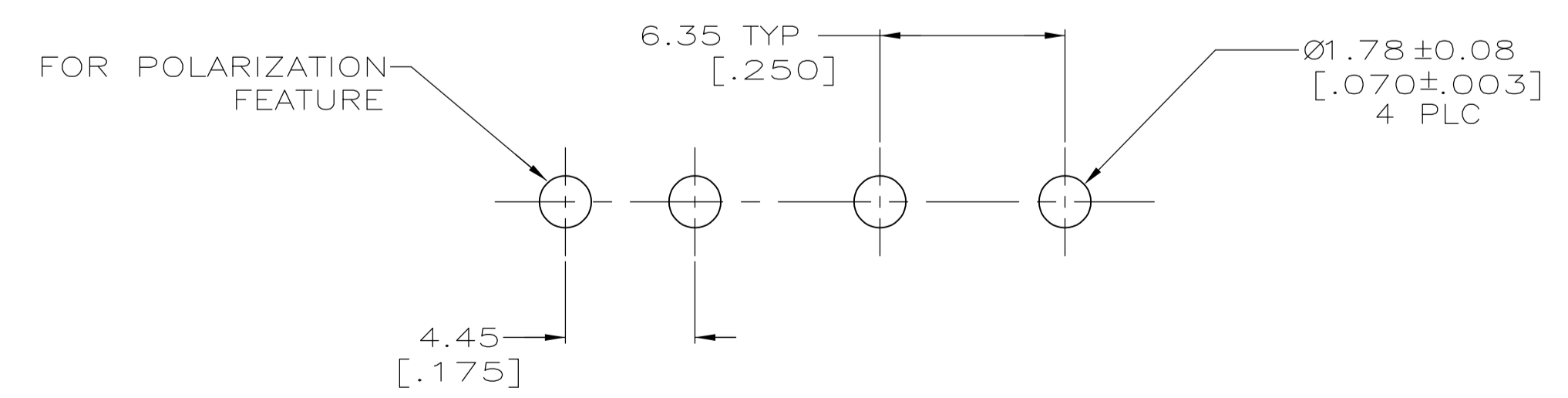


- 1 PARTS COMPLY TO AMP SOLDERABILITY SPECIFICATION 109-11-3.
- 2 CIRCUIT IDENTIFICATION CHARACTERS ARE ADJACENT TO THE INDICATED CAVITIES, BUT LOCATION AND ORIENTATION MAY DIFFER FROM PRINT.
- 3 CONTACT IS PLATED OVERALL WITH 0.00127 [.000050] NICKEL, THEN 0.00076 [.000030] GOLD OVER CONTACT LENGTH INDICATED AND MATTE TIN LEAD ON SOLDER TAIL END.
- 4 DIMENSIONS IN BRACKETS ARE IN INCHES.
- 5 CONTACT IS PLATED OVERALL WITH 0.00127 [.000050] NICKEL, THEN 0.00076 [.000030] GOLD OVER CONTACT LENGTH INDICATED AND MATTE TIN ON SOLDER TAIL END.
- 6 SUPERSEDED BY 643414-3



3-DIMENSIONAL MODEL NTS



RECOMMENDED MOUNTING HOLE PATTERN FOR 1.57 [.062] THICK P.C. BOARD

PHOSPHOR BRONZE, GOLD	NYLON,UL94V-0,WHITE	643414-3
PHOSPHOR BRONZE, GOLD	NYLON,UL94V-0,WHITE	643414-2
PHOSPHOR BRONZE, PRE-TIN	NYLON,UL94V-0,WHITE	643414-1
CONTACT MATERIAL AND FINISH	HOUSING MATERIAL	PART NUMBER

THIS DRAWING IS A CONTROLLED DOCUMENT.		DIN L McEACHIN 07-JAN-2000	TE Connectivity
DIMENSIONS: mm [INCHES]		CHK K COBLE 07-JUN-2000	
TOLERANCES UNLESS OTHERWISE SPECIFIED:		APVD K COBLE 07-JUN-2000	NAME
0 PLC ± -			PRODUCT SPEC
1 PLC ± -			APPLICATION SPEC
2 PLC ± 0.13 [.005]			SIZE
3 PLC ± -			WEIGHT
4 PLC ± -			SCALE
ANGLES ± 0°30'			SHEET
MATERIAL SEE TABLE	FINISH SEE TABLE	RESTRICTED TO	REV
		Customer Drawing	1 OF 1
		00779	J1
		643414	

Mouser Electronics

Authorized Distributor

Click to View Pricing, Inventory, Delivery & Lifecycle Information:

[TE Connectivity:](#)

[643414-3](#)