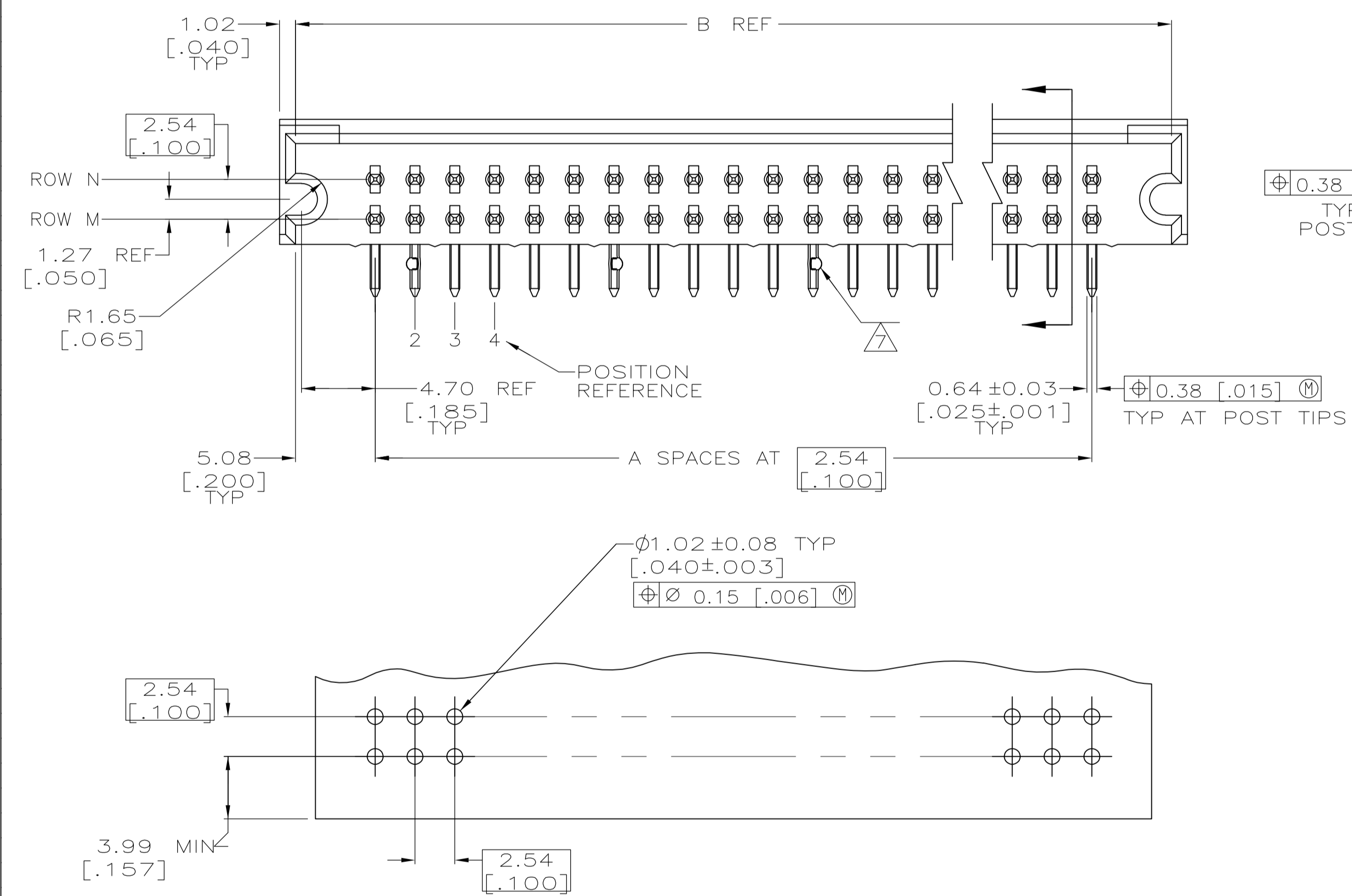
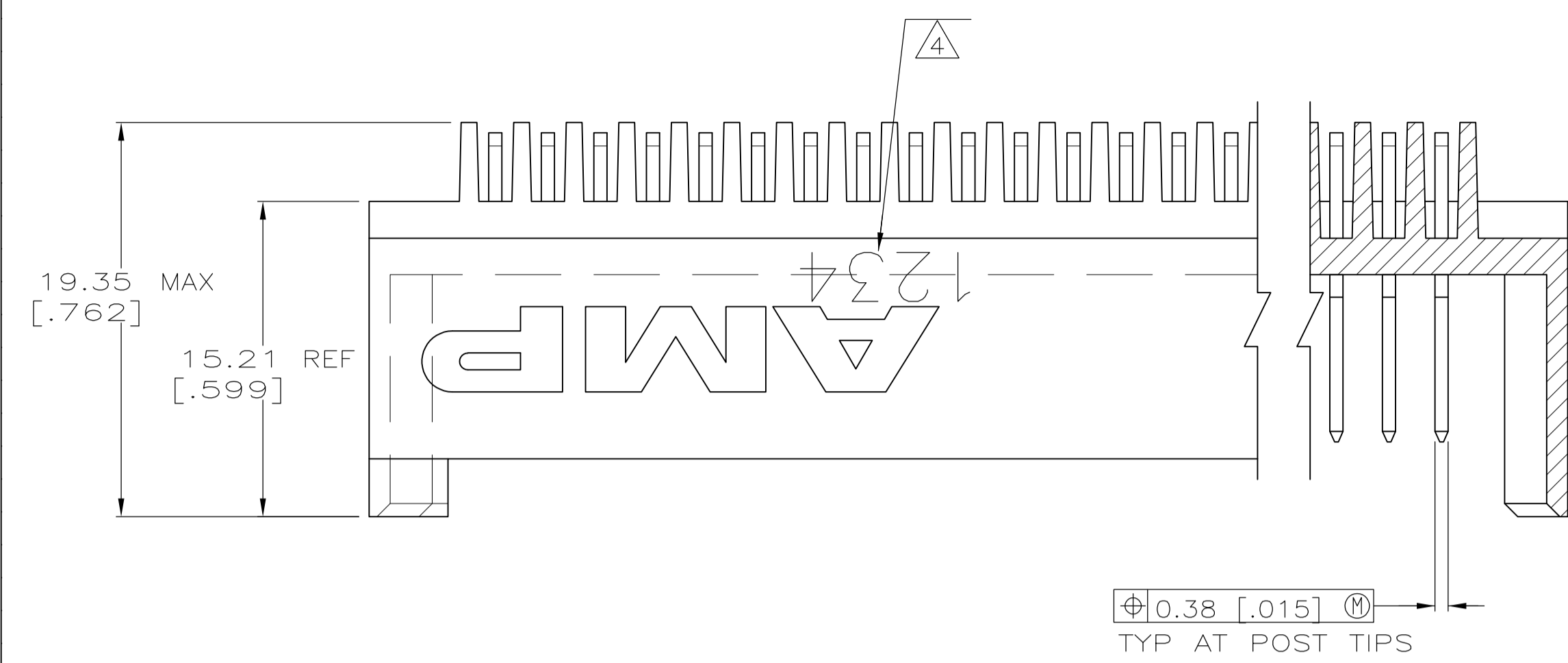
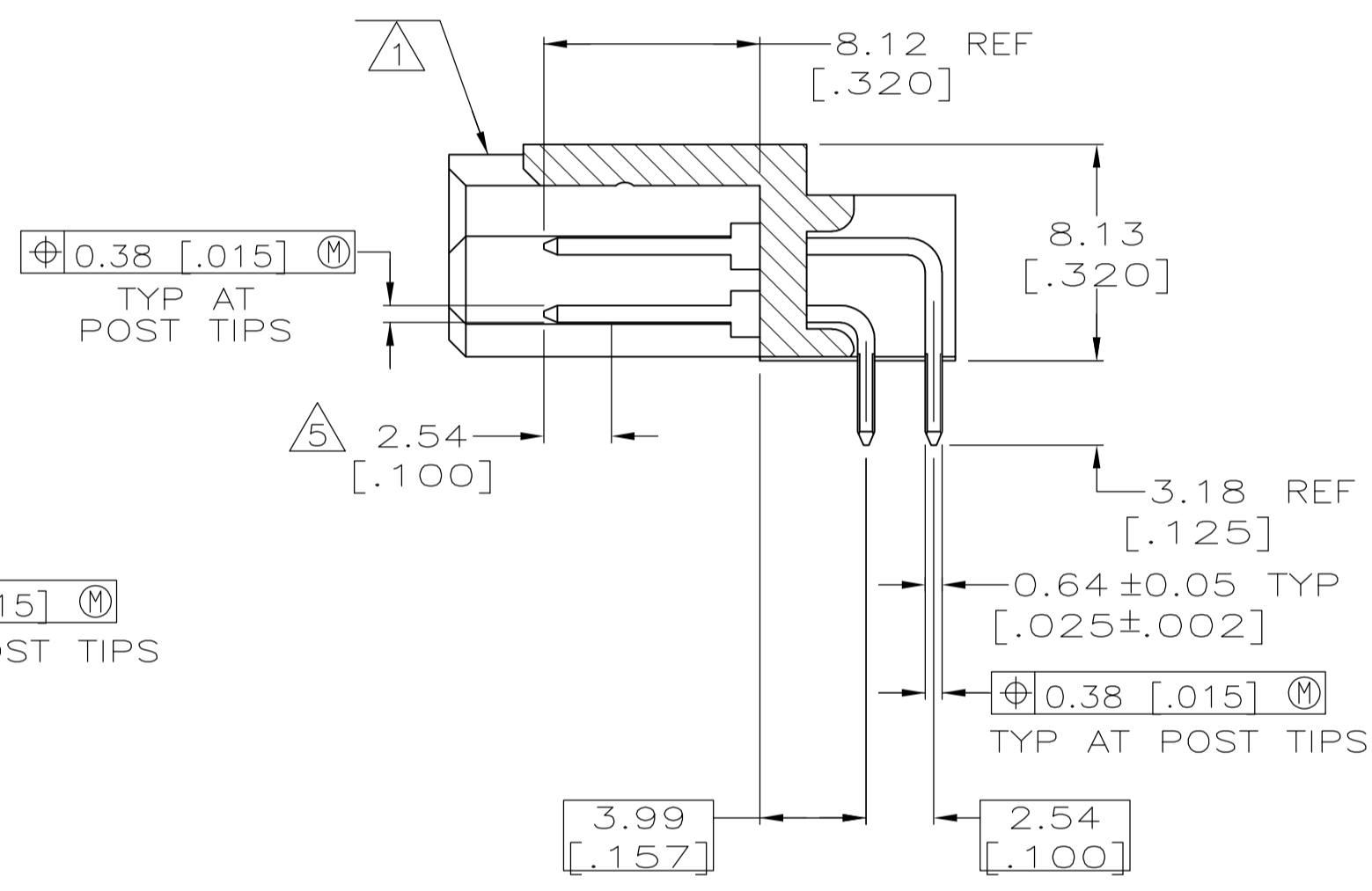


LOC	DIST	REVISIONS				
AD	39	REV	DESCRIPTION	DATE	BY	APPV
J1	ECO-05-7481			14FEB06	MB	JO
J2	REVISED PER ECO-10-000443			12JAN09	KK	AEG



RECOMMENDED P.C. BOARD HOLE LAYOUT



- ① HOUSING: FLAME RETARDANT THERMOPLASTIC; COLOR: BLACK.
- ② POST: PHOSPHOR BRONZE
- ③ POST FINISH: 0.00076 [.000030] GOLD ON CONTACT AREA, 0.00254 [.000100] MIN BRIGHT TIN-LEAD ON SOLDER LEADS, ALL OVER 0.00127 [.000050] NICKEL.
- ④ RECESSED DATE CODE.
- ⑤ POINT OF MEASUREMENT FOR GOLD PLATING THICKNESS.
- 6. CSA LOGO RECESS STAMPED ON HOUSING.
- ⑦ BOARD RETENTION FEATURE WHERE INDICATED.
- ⑧ POST FINISH: 0.00076 [.000030] GOLD ON CONTACT AREA, 0.00254 [.000100] MIN MATTE TIN ON SOLDER LEADS, ALL OVER 0.00127 [.000050] NICKEL.
- ⑨ ROHS 2002/95/EC COMPLIANT
- ⑩ OBSOLETE PARTS: OBSOLETE CIS STREAMLINING PER D.RENAUD/D.SINISI

OBSOLETE		2, 22, 43, 64	2, 22, 43, 64	172.72 [6.800]	64	130	⑨ 6-534245-3
OBSOLETE		2, 18, 37, 54	2, 18, 37, 54	147.32 [5.800]	54	110	⑨ 6-534245-2
OBSOLETE		2, 17, 33, 49	2, 17, 33, 49	134.62 [5.300]	49	100	⑨ 6-534245-1
OBSOLETE		2, 20, 39	2, 20, 39	109.22 [4.300]	39	80	⑨ 6-534245-0
OBSOLETE		2, 18, 34	2, 18, 34	96.52 [3.800]	34	70	⑨ 5-534245-9
OBSOLETE	⑧	4, 9, 14	4, 9, 14	53.34 [2.100]	17	36	⑨ 5-534245-8
OBSOLETE		5, 6, 7	5, 6, 7	38.10 [1.500]	11	24	⑨ 5-534245-7
OBSOLETE		4, 5, 6	4, 5, 6	33.02 [1.300]	9	20	⑨ 5-534245-6
OBSOLETE		2, 3, 4	2, 3, 4	22.86 [.900]	5	12	⑨ 5-534245-5
OBSOLETE		3, 4, 5	3, 4, 5	27.94 [1.100]	7	16	⑨ 5-534245-4
OBSOLETE		2, 20, 40, 59	2, 20, 40, 59	160.02 [6.300]	59	120	⑨ 5-534245-3
OBSOLETE		3, 8, 13	3, 8, 13	45.72 [1.800]	14	30	⑨ 5-534245-2
OBSOLETE		8, 13, 18	8, 13, 18	71.12 [2.800]	24	50	⑨ 5-534245-1
OBSOLETE		2, 22, 43, 64	2, 22, 43, 64	172.72 [6.800]	64	130	⑩ 5-534245-3
OBSOLETE		2, 18, 37, 54	2, 18, 37, 54	147.32 [5.800]	54	110	⑩ 5-534245-2
OBSOLETE		2, 17, 33, 49	2, 17, 33, 49	134.62 [5.300]	49	100	⑩ 5-534245-1
OBSOLETE		2, 20, 39	2, 20, 39	109.22 [4.300]	39	80	⑩ 5-534245-0
OBSOLETE		2, 18, 34	2, 18, 34	96.52 [3.800]	34	70	⑩ 5-534245-9
OBSOLETE	③	4, 9, 14	4, 9, 14	53.34 [2.100]	17	36	⑩ 5-534245-8
OBSOLETE		5, 6, 7	5, 6, 7	38.10 [1.500]	11	24	⑩ 5-534245-7
OBSOLETE		4, 5, 6	4, 5, 6	33.02 [1.300]	9	20	⑩ 5-534245-6
OBSOLETE		2, 3, 4	2, 3, 4	22.86 [.900]	5	12	⑩ 5-534245-5
OBSOLETE		3, 4, 5	3, 4, 5	27.94 [1.100]	7	16	⑩ 5-534245-4
OBSOLETE		2, 20, 40, 59	2, 20, 40, 59	160.02 [6.300]	59	120	⑩ 5-534245-3
OBSOLETE		3, 8, 13	3, 8, 13	45.72 [1.800]	14	30	⑩ 5-534245-2
OBSOLETE		8, 13, 18	8, 13, 18	71.12 [2.800]	24	50	⑩ 5-534245-1
FINISH		ROW M	ROW N	B	A	NO OF POSN	PART NUMBER
BOARD RETENTION LOCATION	⑦			B	A		

⑩ SUPERSEDED BY 5-534245-8

Mouser Electronics

Authorized Distributor

Click to View Pricing, Inventory, Delivery & Lifecycle Information:

[TE Connectivity:](#)

[534245-2](#)