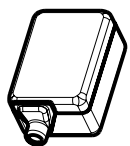
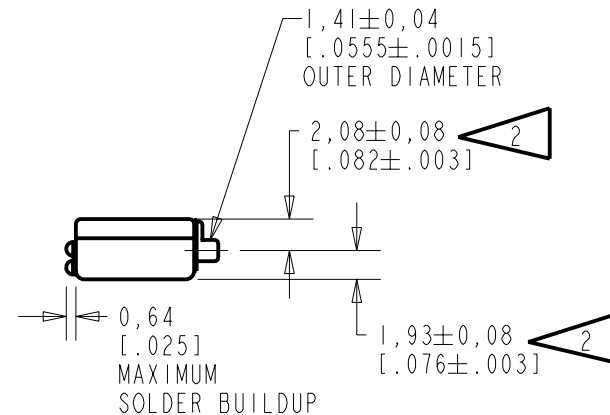
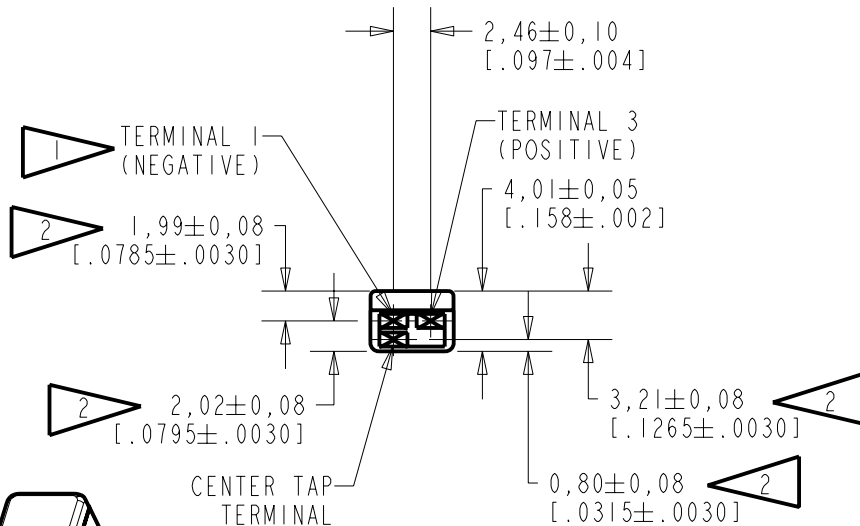


NOTES:

- 1 A POSITIVE GOING VOLTAGE AT TERMINAL 3, RELATIVE TO TERMINAL 1, CAUSES A DECREASE IN PRESSURE AT THE SOUND OUTLET.
- 2 LOCATED FROM TWO SURFACES FOR CUSTOMER CONVENIENCE. ONLY APPLICABLE FROM ONE SURFACE, NOT TO BE USED TOGETHER. HORIZONTAL LOCATION FOR TERMINAL CENTERED TO $\pm 0,17$ [.007].



NOMINAL WEIGHT
.66 GRAM

DIMENSIONS IN MILLIMETERS [INCHES]

Revision	C.O. #	Implementation Date	RELEASE LEVEL	REVISION
B	C10106382	8-23-07	Released	B
A	C10103302	10-20-05		

SCALE: 2:1		DR. BY	DATE
DO NOT SCALE DRAWING		MMM	10-20-05
TITLE: RECEIVER		CK. BY	DATE
OUTLINE DRAWING		GJP	10-21-05
BK-21613-000		APP. BY	DATE
SHT 1.1		GJP	10-21-05

KNOWLES ELECTRONICS
ITASCA, ILLINOIS U.S.A.



NOTES:

1. MEASUREMENTS MADE USING 27,9mm (1.100") X 1,4mm (.053") ID+10,2mm(.400")x 1,8mm(.070") ID + 23,1mm(.201") x 3,0mm(.118") ID TUBE CONNECTED TO 2CC COUPLER (TI278 AND B & K DB0138)

2. SENSITIVITY

FREQUENCY	MIN.	MAX.
200	103.0	109.0
400	---	110.5
450	105.0	---
700	---	115.0
800	109.0	---
1000	---	126.0
1100	117.0	---
1500	112.0	126.0
3300	112.0	---
4000	---	126.0

- RESPONSE, IMPEDANCE, AND DISTORTION MEASUREMENTS MADE USING THE ELECTRICAL TEST CONDITIONS SHOWN BELOW.
- ELECTRICAL SOURCE IMPEDANCE MUST BE GREATER THAN 20 TIMES 1KHz IMPEDANCE FOR TEST CONDITIONS BELOW.
- INDIVIDUAL SPECIFICATIONS.

PORT LOCATION	IMPEDANCE OHMS ±15%		DCR @20°C OHMS ±10%	DISTORTION		ELECTRICAL TEST CONDITIONS	
	1KHz	500Hz		MAX. %	FREQ Hz	AC mA RMS	DC mA
IS	1200	450	160	10	500	0.78	0.00

Revision	C.O. #	Implementation Date	RELEASE LEVEL	REVISION
B	C10106382	8-23-07	Released	B
A	C10103302	10-20-05		

KNOWLES ELECTRONICS
ITASCA, ILLINOIS U.S.A.

WHEN TEST LIMITS ARE USED TO ESTABLISH INCOMING INSPECTION ACCEPTANCE/REJECTION CRITERIA, CORRELATION OF TEST EQUIPMENT WITH KNOWLES IS ALSO REQUIRED FOR ELIMINATION OF EQUIPMENT AND TEST METHOD VARIATION

TITLE: **RECEIVER** **BK-21613-000**
PERFORMANCE SPECIFICATION **SHT 2.1**

DR. BY	DATE
MMM	10-20-05
CK. BY	DATE
GJP	10-21-05
APP. BY	DATE
GJP	10-21-05

Mouser Electronics

Authorized Distributor

Click to View Pricing, Inventory, Delivery & Lifecycle Information:

Knowles:

[BK-21615-000](#) [BK-21669-000](#) [BK-21604-000](#) [BK-21610-000](#) [BK-21968-000](#) [BK-23113-017](#) [BK-21612-000](#) [BK-21613-000](#) [BK-21941-000](#) [BK-21706-000](#) [BK-21606-000](#) [BK-23110-017](#) [BK-21600-000](#) [BK-21839-000](#) [BK-23134-000](#) [BK-29725-000](#) [BK-26877-000](#) [BK-28562-000](#) [BK-28507-000](#) [BK-26824-000](#) [BK-21911-033](#) [BK-28594-000](#) [BK-28375-028](#) [BK-26833-000](#) [BK-28510-000](#) [BK-28391-000](#) [BK-28416-000](#) [BK-21612-052](#) [BK-21612-B48](#) [BK-28472-M03](#) [BK-26773-000](#) [BK-28507-P16](#) [BK-21615-033](#) [BK-28511-000](#) [BK-30039-000](#) [BK-28385-000](#) [BK-28384-000](#) [BK-26834-000](#)