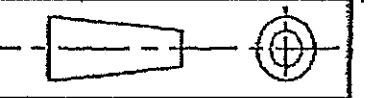
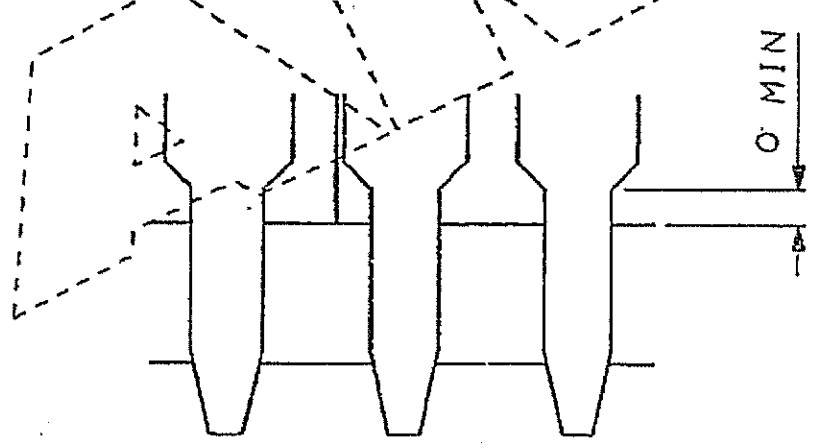
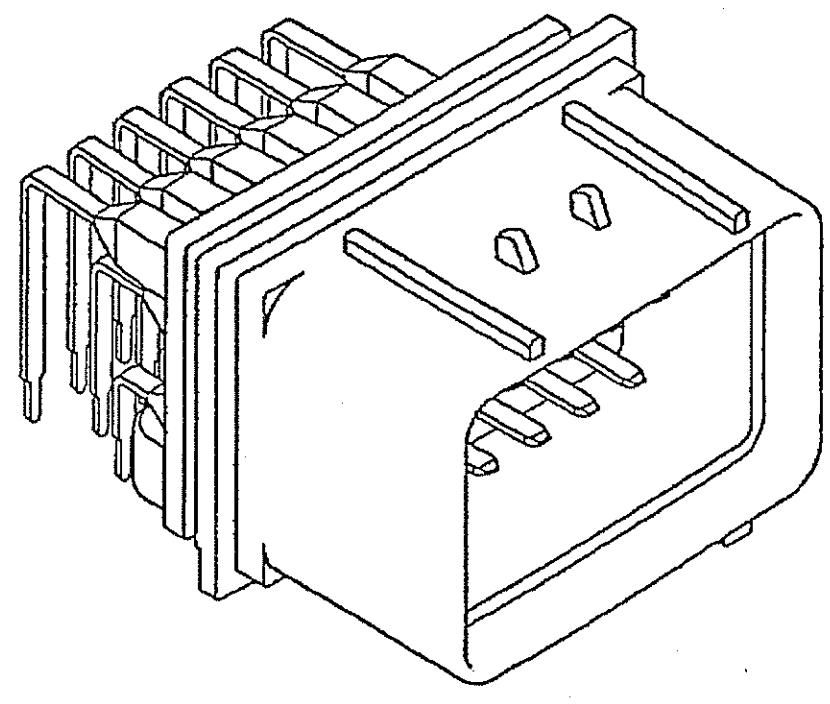


DO NOT SCALE

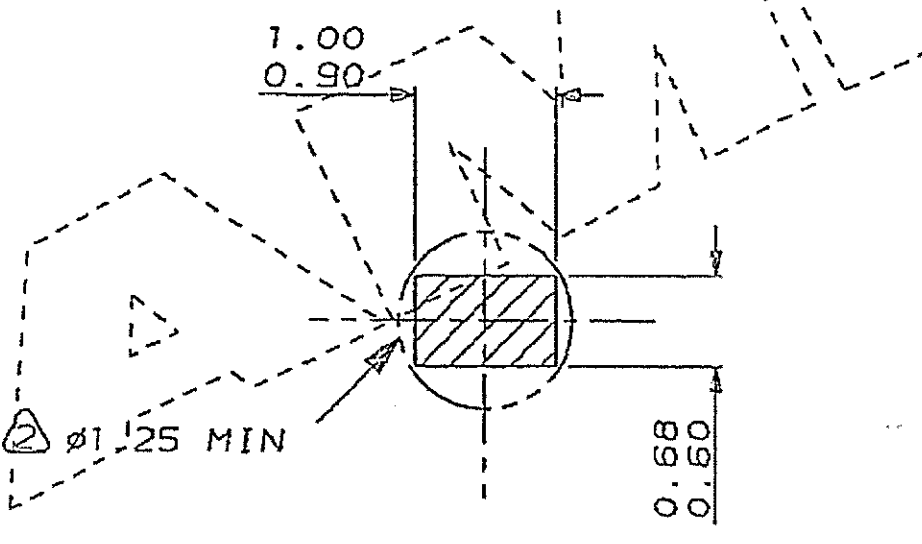
DIMENSIONS IN MM.



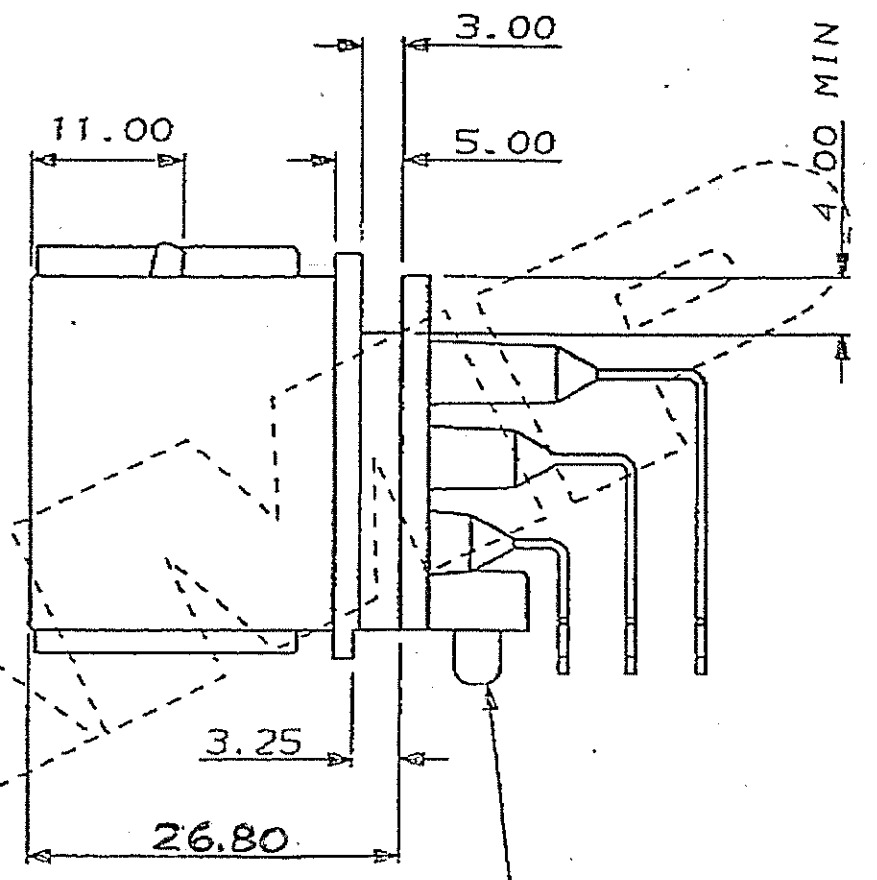
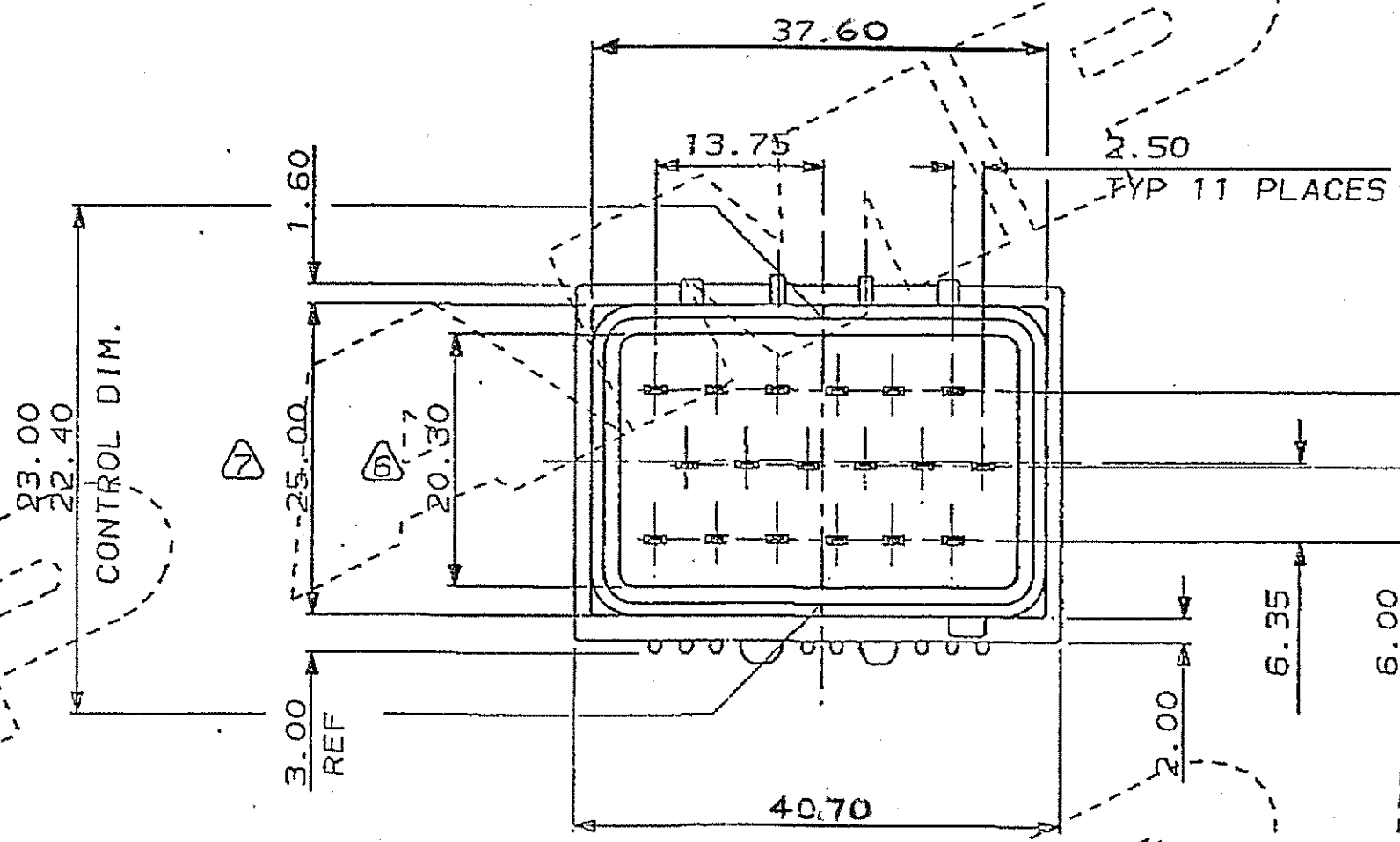
C.A.D. FILE CODE
S. C344103.E



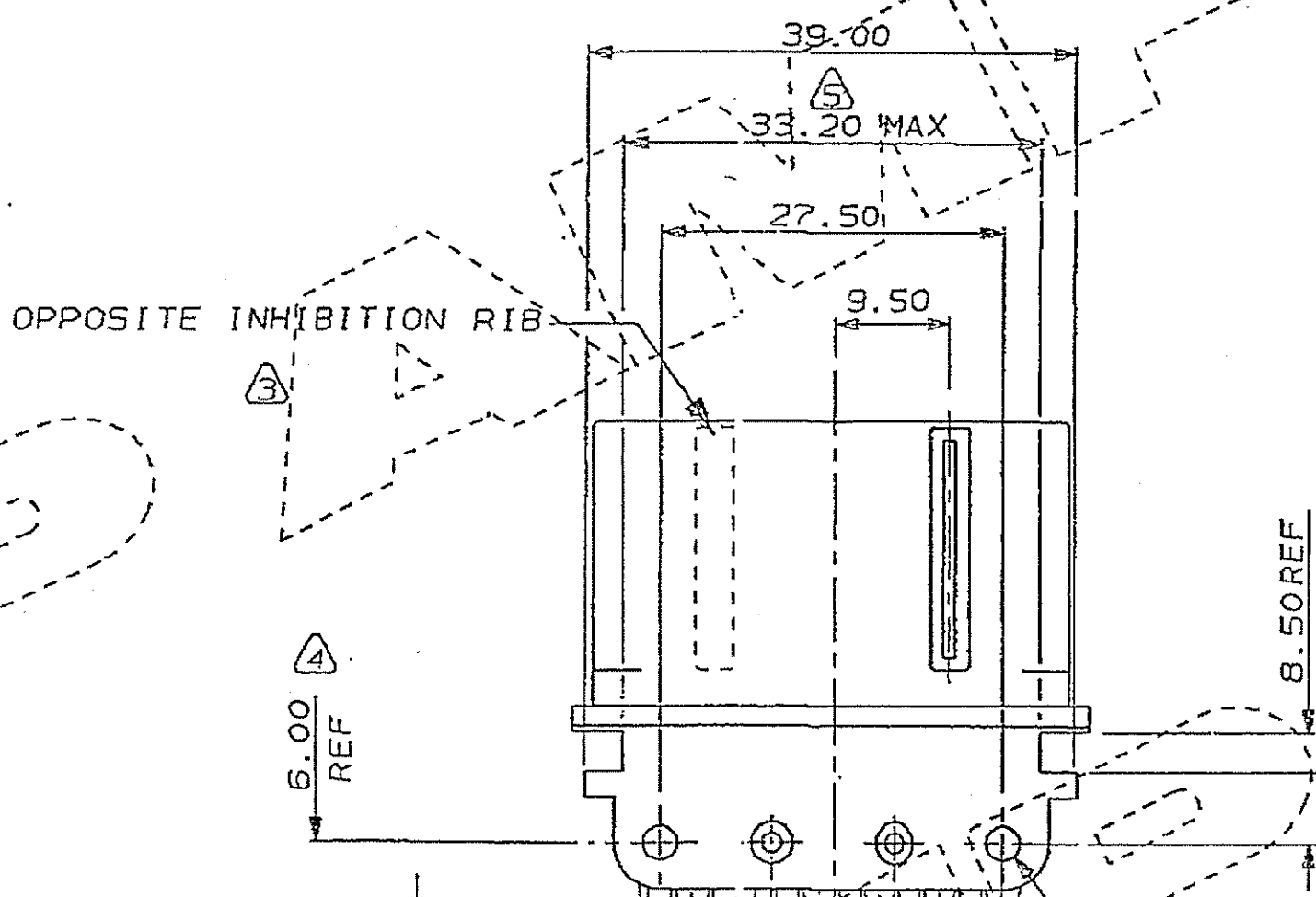
SCRAP VIEW OF PINS
SCALE 5:1



SCRAP VIEW OF PIN
DETAIL SHOWING MINIMUM
HOLE SIZE IN P.C.B. (DOTTED)



Ø3.17 x 4.00 LONG
BOSS



NOTES:

- ① TO SUIT SCREW 5.00mm LONG
FLASH ACCEPTABLE AT END OF HOLE
- ② P.C.B. HOLE SIZE Ø 1.35 mm
1.25
- ③ PROVISION FOR OPPOSITE
INHIBITION RIB (IF REQUIRED)
- ④ THE POSITIONING OF THE P.C.B.
LEGS MUST BE SUCH THAT IT FITS
GAUGE NO. 38-347 WHICH HAS A
POSITIONAL TOLERANCE OF ±0.25
- ⑤ FLASH ACCEPTABLE AT TOOL
SPLIT LINE (0.1 MAX.)
- ⑥ TO BE MEASURED AT THE CORNERS.
DIMENSION AT C TO BE 19.90 MIN.
- ⑦ TO BE MEASURED AT THE CORNERS.

WAS CP86-076-08

TIN	LEGS, GOLD TABS	TEMPER 4 BRASS	IN-MOULDED TAB	344103-1
	BLACK	15% GLASS FILLED NYLON	HEADER MouldING	
	FINISH	MATERIAL	DESCRIPTION	PART NUMBER
CUSTOMER DWG FOR REFERENCE ONLY			RELEASED FOR PUBLICATION 13/7/87	
TOLERANCES UNLESS OTHERWISE STATED DEC ± 0.25 ANGLES ± 1°			DR. <i>Mark White</i>	09 JUL 1987
			CH. RJS	APP. RJS
			STE TE Connectivity	
NAME 18 WAY HEADER (MK11) FOR ECONOSEAL 3 (WIRE TO BOARD)				
E1	RKHMR	REVISED PER ECO-11-005150	SCALE	LOC
REV	APPROVED	ECO	DATE	SIZE
			2/1	E
				A2
			DWG. NO.	REV
			C344103	E1
			SHEET	1/1

--0.TIF-10/30/03 7:35:10 AM
--0.TIF-10/21/03 6:43:55 AM

Mouser Electronics

Authorized Distributor

Click to View Pricing, Inventory, Delivery & Lifecycle Information:

[TE Connectivity:](#)

[344103-1](#)