

NOTES:

1. ELECTRICAL:

- A. IMPEDANCE: 50 Ω (NOMINAL)
- B. FREQUENCY RANGE: 0-6 GHz
- C. CONTACT RESISTANCE: CENTER: 20 mΩ MAX.; MEASURED AT 10mA MAX., 25 mΩ MAX AFTER CYCLING  
OUTSIDE: 10 mΩ MAX.; MEASURED AT 10mA MAX., 15 mΩ MAX AFTER CYCLING
- D. INSULATION RESISTANCE: 500 MΩ MIN.; MEASURED AT 100V DC.
- E. WITHSTANDIN VOLTAGE: NO LINE OR INSULATION BREAKDOWN: 200V AC FOR 1 MIN.
- F. V.S.W.R. : 1.3 MAX. AT DC TO 3 GHz, √1.4 MAX. AT 3 TO 6 GHz
- G. TYPICAL INSERTION LOSS : 0.0022\*L\* [Frequency in GHz]+0.087\* [Frequency in GHz]

2. PHYSICAL:

- A. FEMALE CONTACT HOLDING FORCE: 0.1 N MIN. : MEASURED WITH A Ø0.475 MM PIN GAUGE.
- B. DURABILITY: 30 CYCLES
- C. TEMPERATURE RANGE: -40°C TO +90°C.
- D. AMC CONNECTOR MATING FORCE: 20 N MAX.
- E. AMC CONNECTOR DEMATING FORCE: 10 N MIN.
- F. AMC INTERFACE IS FULLY COMPATIBLE WITH "U.FL" SERIES PRODUCT.

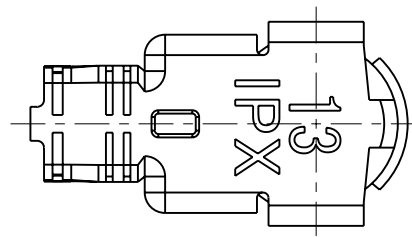
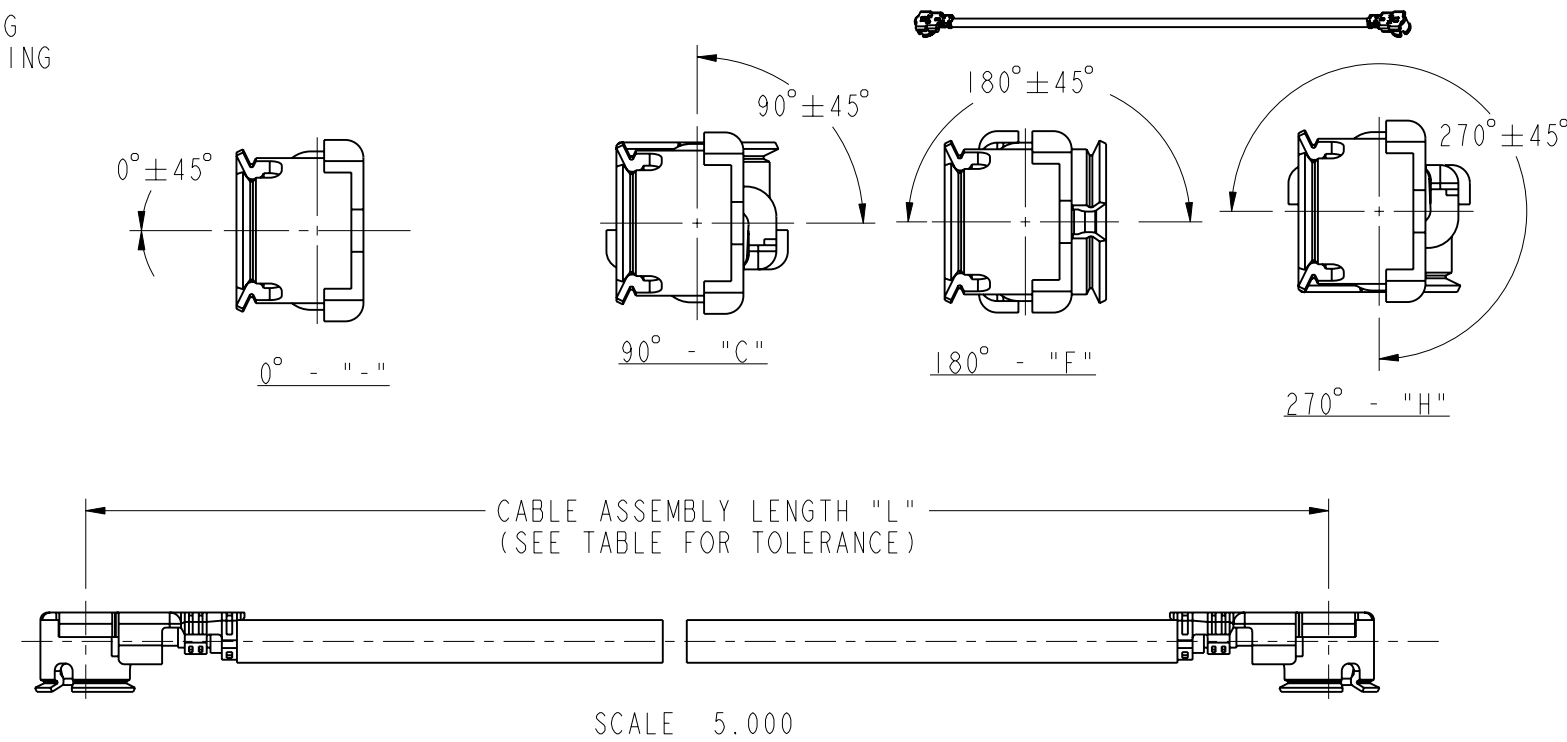
3. MATERIALS AND FINISHES(PLATING THICKNESS IN MICRO-INCHES):

- CONNECTOR BODY: PHOSPHOR BRONZE, AU 0.05 um MIN. PLATED OVER NI 1.0 um MIN.
- CONNECTOR CENTER CONTACT: PHOSPHOR BRONZE , AU 0.1 um MIN. PLATED OVER NI 1.0 um MIN.
- CONNECTOR INSULATOR: PBT, UL94V-0, BLACK
- CABLE JACKET: FEP
- CABLE DIELECTRIC: FEP
- CABLE CENTER CONDUCTOR: COPPER WIRE STRANDED, SILVER PLATED
- CABLE OUTER CONDUCTOR: COPPER WIRE BRAID, TIN PLATING

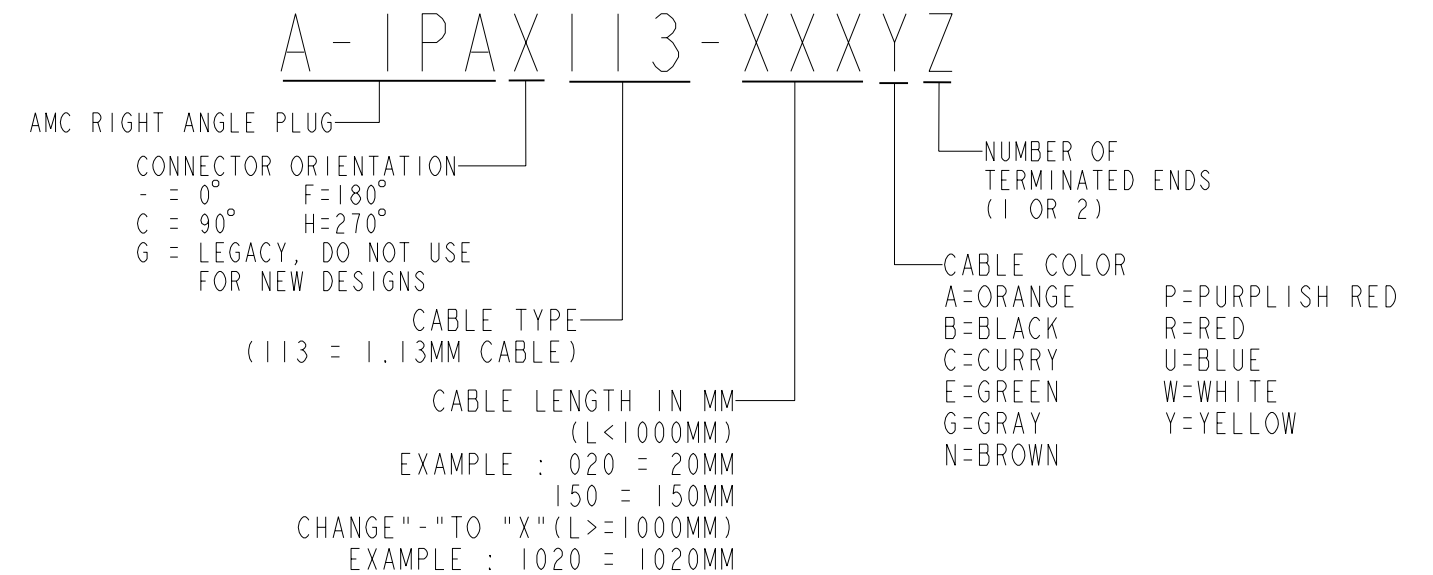
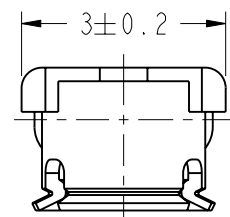
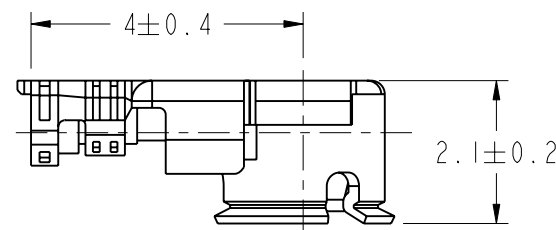
THIRD ANGLE PROJ.

REVISIONS

REV	DESCRIPTION	DATE	ECN	APPR
H	REDRAWN, GOLD PLATING WAS SILVER PLATING; OLD PN "A-IPAG" COMBINED TO "A-IPA-" ; NO "A-IPAG" FOR NEW PN	08-Jan-19	10390	JTS



CABLE ASSEMBLY OVERALL LENGTH TOLERANCE	
OVERALL LENGTH L (mm)	STANDARD TOLERANCE (mm)
20 ≤ L < 35	± 2
35 ≤ L < 200	± 4
200 ≤ L < 500	± 8
500 ≤ L < 1000	± 12
1000 ≤ L	± 1.5 %



**CUSTOMER OUTLINE DRAWING**

ALL OTHER SHEETS ARE FOR INTERNAL USE ONLY

UNLESS OTHERWISE SPECIFIED, DIMENSIONS ARE IN METRIC AND TOLERANCES ARE: <0.5mm ± 0.05mm    0.5 - 6mm ± 0.1mm    6 - 30mm ± 0.2mm    30 - 120mm ± 0.3mm    ANGLES ± 1°	MATERIAL	DRAWN JEKY	DATE 29-Jan-19	TITLE AMC PLUG TO AMC PLUG JUMPER ASSEMBLY ON 1.13MM CABLE		Amphenol RF www.amphenolrf.com		
	NOTICE - These drawings, specifications, or other data (1) are, and remain the property of Amphenol corp. (2) must be returned upon request; and (3) are confidential and not to be disclosed to any person other than those to whom they are given by Amphenol Corp. the furnishing of these drawings, specifications, or other data by Amphenol Corp., or to any other person to anyone for any purpose is not to be regarded by implication or otherwise in any manner licensing, granting rights to permitting such holder or any other person to manufacture, use or sell any product, process or design, patented or otherwise, that may in any way be related to or disclosed by said drawings, specifications, or other data.	REFERENCE EAR# REF: CONFIGURATION LEVEL: In Work FINISH	ENGINEER FIGO	DATE 29-Jan-19	APPROVED FIGO		DATE 14-Feb-19	SCALE: 3.0:1.0    SHEET 2 OF 2 DWG SIZE B

# Mouser Electronics

Authorized Distributor

Click to View Pricing, Inventory, Delivery & Lifecycle Information:

## Amphenol:

[A-1PA-113-050B2](#) [A-1PA-113-077B2](#) [A-1PA-113-180B2](#) [A-1PA-113-330B2](#) [A-1PA-113-125W2](#) [A-1PA-113-150B2](#)  
[A-1PA-113-300B2](#) [A-1PA-113-100G2](#) [A-1PA-113-137B2](#) [A-1PA-113-600B2](#) [A-1PA-113-064B2](#) [A-1PA-113-100B2](#) [A-](#)  
[1PA-113-229B2](#) [A-1PA-113-305B2](#) [A-1PA-113-390B2](#) [A-1PA-113-095B2](#) [A-1PA-113-410B2](#) [A-1PA-113-370B2](#) [A-](#)  
[1PA-113-205B2](#) [A-1PA-113-048B2](#) [A-1PA-113-999B2](#) [A-1PA-113-125B2](#) [A-1PA-113-400B2](#) [A-1PA-113-153B2](#) [A-](#)  
[1PA-113-200B2](#) [A-1PA-113-045B2](#) [A-1PA-113-204B2](#) [A-1PA-113-085B2](#) [A-1PA-113-279B2](#) [A-1PA-113-150G2](#) [A-](#)  
[1PA-113-084B2](#) [A-1PA-113-060B2](#) [A-1PA-113-039G2](#) [A-1PA-113-500B2](#) [A-1PA-113-01KB2](#) [A-1PA-113-089B2](#) [A-](#)  
[1PA-113-356B2](#)