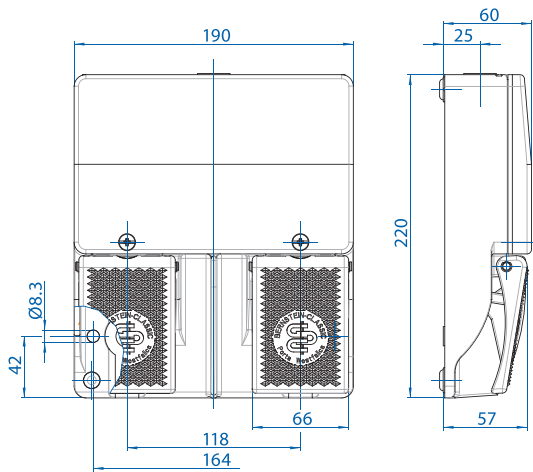


Double Pedal without Cover

STANDARD



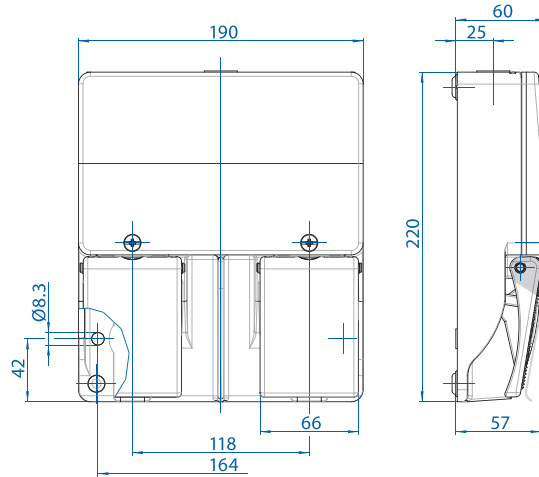
Standard OFF-ON Operation-
Push pedal to change contact state. Release pedal to return to original state.



STANDARD with Protective Hinged Cover



Standard OFF-ON Operation-
Lift protective hinged cover up to activate pedal.
Push pedal down to change contact state. Release pedal to return to original state. With IP67 Protection Rating (Temporary Submersion).



Two pedal foot switch F2

| Article number | Designation | Switching contacts | |
|-----------------------------|--------------|--------------------|-----------------|
| Snap-action contact: | | | |
| | | Pedal 1 (left) | Pedal 2 (right) |
| 606.2330.021 | F2-SU1Z/SU1Z | 1NC / 1NO | 1NC / 1NO |
| 606.2440.065 | F2-SU2Z/SU2Z | 2NC / 2NO | 2NC / 2NO |
| Slow-action contact: | | | |
| | | Pedal 1 (left) | Pedal 2 (right) |
| 606.2110.013 | F2-U1Z/U1Z | 1NC / 1NO | 1NC / 1NO |
| 606.2220.015 | F2-U2Z/U2Z | 2NC / 2NO | 2NC / 2NO |

Two pedal foot switch F2

| Article number | Designation | Switching contacts | |
|----------------|------------------|--------------------|-----------------|
| | | Pedal 1 (left) | Pedal 2 (right) |
| 606.2440.573 | F2-SU2ZPS/SU2ZPS | 2NC / 2NO | 2NC / 2NO |

Mouser Electronics

Authorized Distributor

Click to View Pricing, Inventory, Delivery & Lifecycle Information:

[Altech:](#)

[606.2220.015](#) [606.2440.573](#) [606.2110.013](#) [606.2330.021](#) [606.2440.065](#)