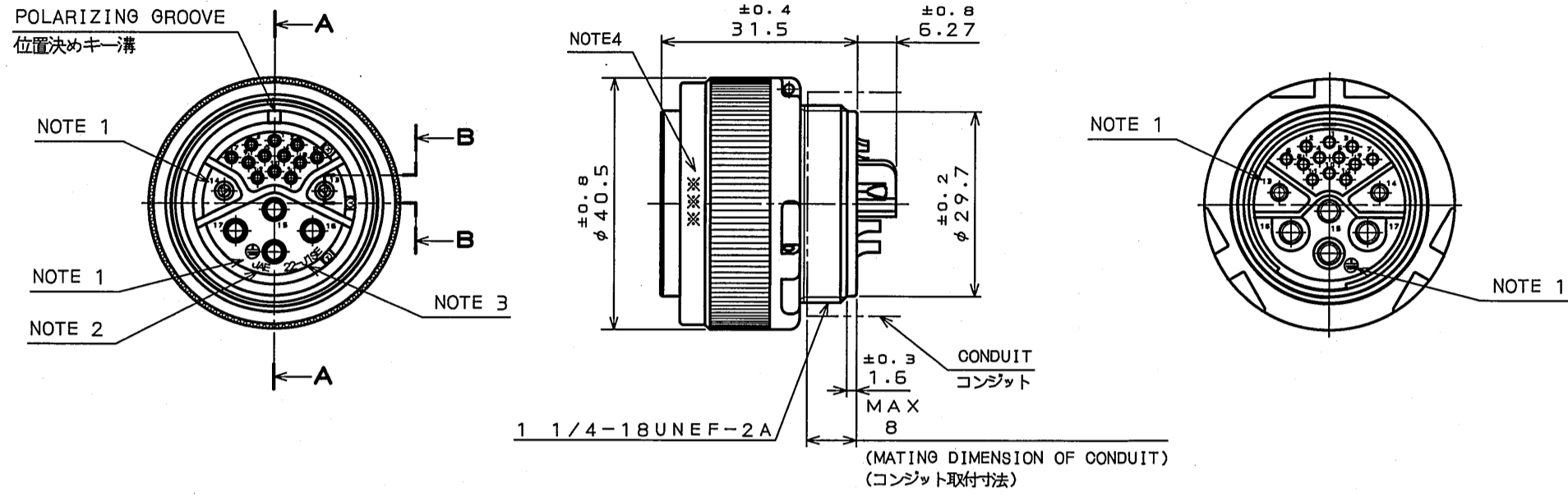
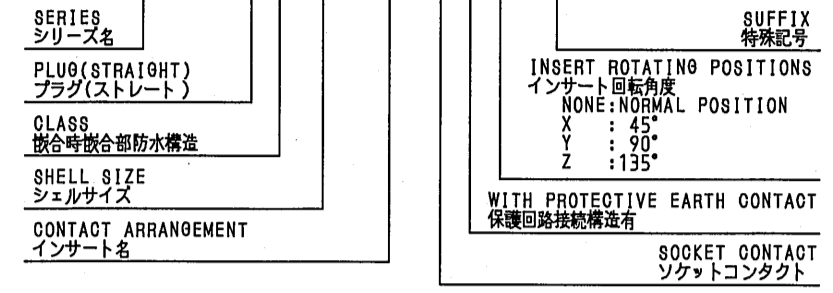


| 版数<br>REV. | 年月日<br>DATE | DCN NO. | 変更内容<br>DESCRIPTION | 製図<br>DR. | 担当<br>CHK. | 査閲<br>APPD. | 承認<br>APPD. |
|------------|-------------|---------|---------------------|-----------|------------|-------------|-------------|
|            |             |         |                     |           |            |             |             |

DESIGNATION

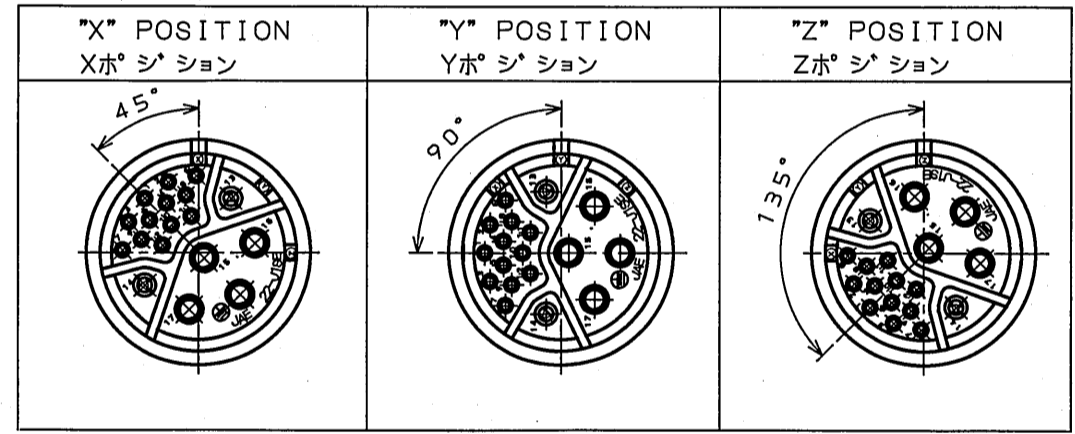
命名法

JL04V-6A22-J1SE※-R

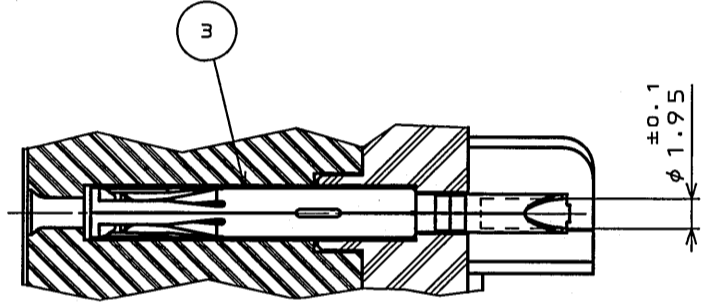


NOTE 1. CONTACT POSITION NUMBER IS MARKED IN THE AREA SHOWN. EARTH MARK (⊕) IS MARKED NEAR BY EARTH CONTACT.  
NOTE 2. COMPANY LOGO "JAE" APPEARS IN THE AREA SHOWN.  
NOTE 3. CONTACT ARRANGEMENT NUMBER "22-J1SE" IS MARKED IN THE AREA SHOWN.  
NOTE 4. PRODUCTION LOT NUMBER ARE MARKED AS INDICATED.  
※※※ MANUFACTURER MONTH (1~9, X, Y, Z)  
(JAN.~SEP., OCT., NOV., DEC.)  
MANUFACTURER YEAR ('05, '06, '07, ...)  
NOTE 5. TO PREVENT MIS-MATING OF CONNECTOR, THERE ARE FOUR INSERT ROTATING POSITIONS AVAILABLE: NORMAL, X, Y, AND Z (POSITIONS IS DIFFERENT EACH OTHER). NORMAL POSITION IS SHOWN IN THE FRONT VIEW.

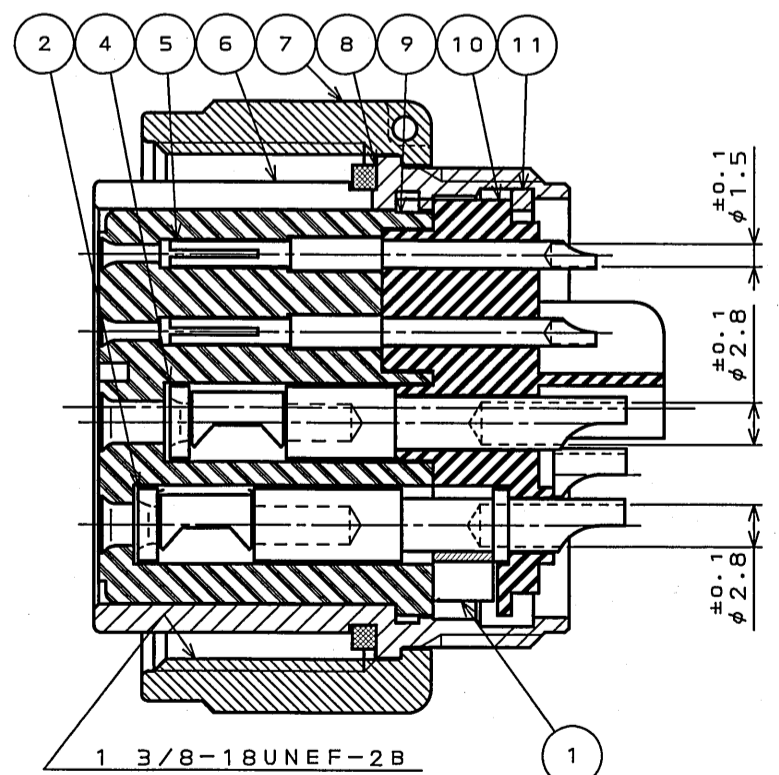
注1. 図示の位置に端子番号を表示する。  
又、保護回路接続端子は ⊕ で表わす。  
2. 図示の位置に社名【JAE】を表示する。  
3. 図示の位置にインサート名【22-J1SE】を表示する。  
4. 図示の位置に製造ロットNo.を表示する。  
※※※ 製造月(1~9月,X:10月,Y:11月,Z:12月)  
製造年('05,'06,'07,...)  
5. コネクタの誤嵌合防止の為、4つのインサート回転角度(互いに角度が異なる)ノーマル、X、Y、Zポジションがある。正面図は、ノーマルポジションのものである。



INSERT ROTATING POSITIONS  
インサート回転角度  
(NOTE 5)



特別管理品目  
SPECIAL CONTROL ITEM  
TUV



SPECIFICATION

|                                 |  |                                   |                                   |
|---------------------------------|--|-----------------------------------|-----------------------------------|
| NUMBER OF CONTACT               | : 12×#20 CONTACT No. 1~12                      | : 2×#16 CONTACT No. 13, 14        | : 4×#12 CONTACT No. 15~17, ⊕      |
| RATED VOLTAGE                   | : 24VAC #20CONTACT                             | : 125VAC OR 24VAC #16CONTACT      | : 250VAC #12CONTACT               |
| POLLUTION DEGREE                | : 3/OVER VOLTAGE CATEGORY: III                 |                                   |                                   |
| RATED CURRENT                   | : 5A MAX./ONE CONTACT #20CONTACT               | : 13A MAX./ONE CONTACT #16CONTACT | : 23A MAX./ONE CONTACT #12CONTACT |
| DIELECTRIC WITHSTANDING VOLTAGE | : 2000VAC EXCEPT 1000VAC BETWEEN #20 CONTACTS. |                                   |                                   |
| INSULATION RESISTANCE           | : 5000MΩ MIN. (AT 500VDC)                      |                                   |                                   |
| APPLICABLE WIRE                 | : 0.8mm MAX #20CONTACT                         | : 1.25mm MAX #16CONTACT           | : 3.5mm MAX #12CONTACT            |

仕様

|         |                                |
|---------|--------------------------------|
| CONTACT | : #20CONTACT 12本 (No. 1~12)    |
|         | : #16CONTACT 2本 (No. 13, 14)   |
|         | : #12CONTACT 4本 (No. 15~17, ⊕) |
| 定格電圧    | : 24VAC (#20CONTACT)           |
|         | : 125VAC or 24VAC (#16CONTACT) |
|         | : 250VAC (#12CONTACT)          |
|         | (汚染度: 3/過電圧耐量: III)            |
| 定格電流    | : 5A以下/1芯 (#20CONTACT)         |
|         | : 13A以下/1芯 (#16CONTACT)        |
|         | : 23A以下/1芯 (#12CONTACT)        |
| 耐電圧     | : 2000VAC                      |
|         | (但し、#20CONTACT間は1000VAC)       |
| 絶縁抵抗    | : 5000MΩ以上 (DC500Vにて)          |
| 適用電線    | : 0.8 mm以下 (#20CONTACT)        |
|         | : 1.25 mm以下 (#16CONTACT)       |
|         | : 3.5 mm以下 (#12CONTACT)        |

| NO. | DESCRIPTION        | QTY. | MATERIAL         | FINISH         | REMARKS                               |
|-----|--------------------|------|------------------|----------------|---------------------------------------|
| 11  | RETAINING RING     | 1    | COPPER ALLOY     | ZINC PLATING   | COLOR:BLACK SYSTEM INTERFERENCE COLOR |
| 10  | REAR INSULATOR     | 1    | SYNTHETIC RESIN  | NONE           | COLOR:BLACK                           |
| 9   | FRONT INSULATOR    | 1    | SYNTHETIC RESIN  | NONE           | COLOR:BLACK                           |
| 8   | GASKET             | 1    | SYNTHETIC RUBBER | NONE           | COLOR:BLACK                           |
| 7   | COUPLING NUT       | 1    | ALUMINUM ALLOY   | ZINC PLATING   | COLOR:BLACK SYSTEM INTERFERENCE COLOR |
| 6   | BARREL             | 1    | ALUMINUM ALLOY   | ZINC PLATING   | COLOR:BLACK SYSTEM INTERFERENCE COLOR |
| 5   | #20CONTACT (LINE)  | 12   | COPPER ALLOY     | SILVER PLATING | CONTACT NO.:1~12                      |
| 4   | #16CONTACT (LINE)  | 2    | COPPER ALLOY     | SILVER PLATING | CONTACT NO.:13,14                     |
| 3   | #12CONTACT (LINE)  | 3    | COPPER ALLOY     | SILVER PLATING | CONTACT NO.:15~17                     |
| 2   | #12CONTACT (EARTH) | 1    | COPPER ALLOY     | SILVER PLATING | CONTACT No. ⊕                         |
| 1   | EARTH LUG          | 1    | COPPER ALLOY     | SILVER PLATING |                                       |

|                     |                   |                     |            |            |     |               |       |        |          |            |                     |        |          |         |          |          |          |          |            |           |  |                    |          |           |   |
|---------------------|-------------------|---------------------|------------|------------|-----|---------------|-------|--------|----------|------------|---------------------|--------|----------|---------|----------|----------|----------|----------|------------|-----------|--|--------------------|----------|-----------|---|
| 仕様書 (SPECIFICATION) | JACS-5080-3.T95-4 | 第1版 (ORIGINAL DATE) | 20.09.2005 | 尺度 (SCALE) | 1:1 | シリーズ (SERIES) | JL04V | 製図 DR. | T.SUZUKI | 名称 (TITLE) | JL04V-6A22 -J1SE※-R | 製図 DR. | T.SUZUKI | 担当 CHK. | T.SUZUKI | 査閲 APPD. | TOKAMURA | 承認 APPD. | A. Onogawa | 質量 (MASS) |  | 図面番号 (DRAWING NO.) | SJ105473 | 版数 (REV.) | 1 |
|---------------------|-------------------|---------------------|------------|------------|-----|---------------|-------|--------|----------|------------|---------------------|--------|----------|---------|----------|----------|----------|----------|------------|-----------|--|--------------------|----------|-----------|---|

# Mouser Electronics

Authorized Distributor

Click to View Pricing, Inventory, Delivery & Lifecycle Information:

[JAE Electronics:](#)

[JL04-22EBL-R](#) [JL04V-6A22-J1PE-R](#) [JL04V-6A22J1SE-R](#) [JL04V-2A28-11PE-R](#) [JL04V-6A22-J1SE-R](#)