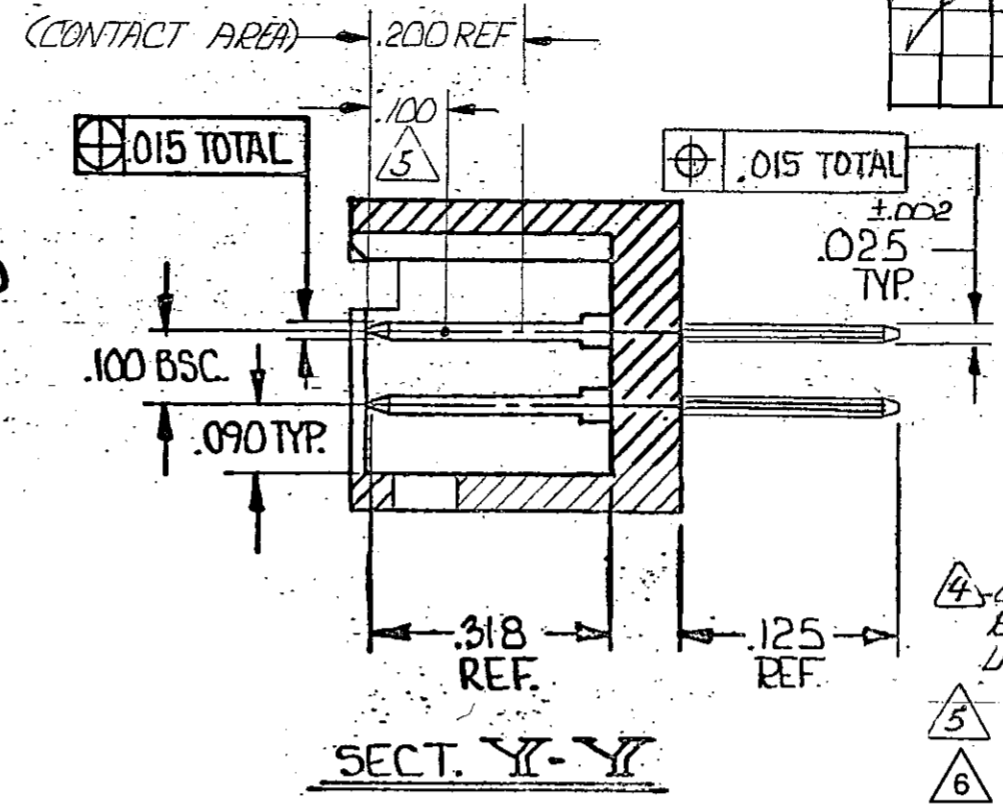
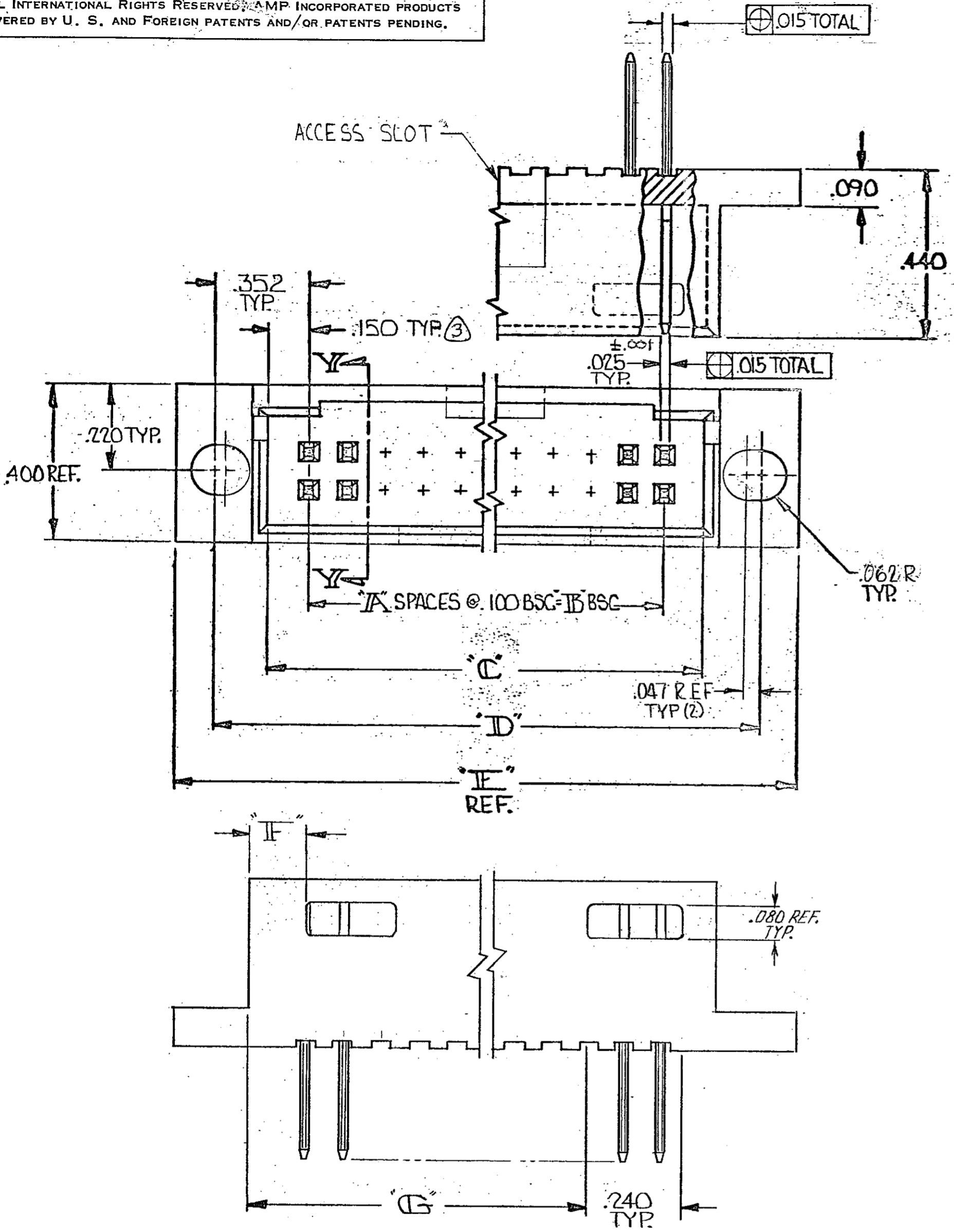


© COPYRIGHT 1975-83 BY AMP INCORPORATED, HARRISBURG, PA. ALL INTERNATIONAL RIGHTS RESERVED. AMP INCORPORATED PRODUCTS COVERED BY U. S. AND FOREIGN PATENTS AND/OR PATENTS PENDING.

REVISIONS					
REV	DATE	APPROVED	DESCRIPTION	BY	CHKD
✓	2-1-91	RF	REV PER AD-5084		
✓	2-1-91	RF	REV PER AD-5161		
✓	9-93	JA	REV PER 0010-0981-93	RAC	
✓	2-27-97	JAS	REV PER 0310-0146-96	ED	
✓	12-3-97	SAS	REV PER 0310-0437-97	CB	
	JAN10	HMR	REVISED PER ECO-10-000445		



1. .000030 GOLD ON CONTACT AREA, GOLD FLASH ON SOLDER AREA ALL OVER .000050 MIN. NICKEL ON ENTIRE POST.

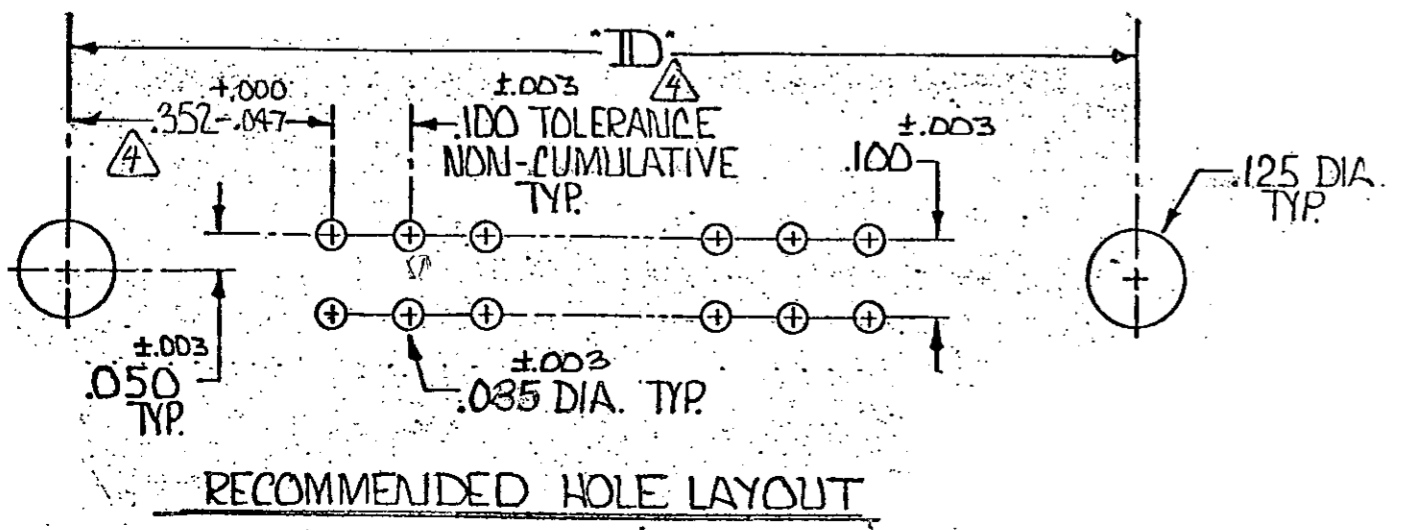
2. WILL ALSO MATE WITH OTHER CONNECTORS WHICH ARE COMPATIBLE WITH THE .150 END DIM AND WILL MATE W/MOD IV HAVING FOUR EXTRA EMPTY CIRCUITS (TWO EA. END) --- EX: 20 POS. POST HEADER WILL MATE WITH 24 POS. MOD IV HOUSING.

3. CUSTOMER P.C. BRD. LAYOUT MAY VARY WITHIN THIS RANGE. WHEN MATING WITH MOD IV CONNECTORS UTILIZING JACKSCREW HARDWARE USE D-.091" AND .305 TYP.

4. POINT OF MEASUREMENT FOR PLATING THICKNESS.

5. OBSOLETE PARTS: OBSOLETE CIS STREAMLINING PER D.RENAUD/D.SINISI

POS.	FINISH	NO. OF POS.	PART NO.
60	(1)	60	2-87474-6
58		58	2-1-5
56		56	2-4
54		54	2-3
52		52	2-2
48		48	2-1
46		46	2-0
44		44	1-9
42		42	1-8
40		40	1-7
38		38	1-6
36		36	1-5
34		34	1-4
32		32	1-3
30		30	1-2
28		28	1-1
26		26	1-0
24		24	1-9
22		22	1-8
20		20	1-7
18		18	1-6
16		16	1-5
14		14	1-4
12		12	1-3
10		10	1-2
8		8	1-1
6		6	1-0
5		5	1-9
4		4	1-8
3		3	1-7
2		2	1-6
1		1	1-5
0		0	1-4
0		0	1-3
0		0	1-2
0		0	1-1
0		0	1-0
0		0	1-9
0		0	1-8
0		0	1-7
0		0	1-6
0		0	1-5
0		0	1-4
0		0	1-3
0		0	1-2
0		0	1-1
0		0	1-0
0		0	1-9
0		0	1-8
0		0	1-7
0		0	1-6
0		0	1-5
0		0	1-4
0		0	1-3
0		0	1-2
0		0	1-1
0		0	1-0
0		0	1-9
0		0	1-8
0		0	1-7
0		0	1-6
0		0	1-5
0		0	1-4
0		0	1-3
0		0	1-2
0		0	1-1
0		0	1-0
0		0	1-9
0		0	1-8
0		0	1-7
0		0	1-6
0		0	1-5
0		0	1-4
0		0	1-3
0		0	1-2
0		0	1-1
0		0	1-0



UNLESS OTHERWISE SPECIFIED DIMENSIONS ARE IN INCHES. TOLERANCES ON: DECIMALS ±.005 ANGLES ±		CONTRACT NO. 10-13-75		AMP INCORPORATED Harrisburg, Pa.	
MATERIAL HSG. = GLASS FILLED NYLON COLOR - BLACK POST = PHOS. BRONZE		DR. <i>B. Wolfe</i> 10-13-75 CHK. <i>D. M. ...</i> 10-14-75		NAME HEADER ASSY., MOD II, .025 SQ. POST, DBL. ROW, .100 x .100 CENTERS, W/ MTG. EARS & DETENT SLOTS (MATES W/ AMP LATCH OR FFC) (2)	
FINISH SEE TABLE		APPD. <i>B. Bennett</i> 10-14-75 APPD. <i>C. Lopinski</i> 10/17/75		SIZE CODE IDENT NO DRAWING NO C 00779 87474	
		DSGN APPD.		SCALE SHEET	
		OTHER APPD.			

# Mouser Electronics

Authorized Distributor

Click to View Pricing, Inventory, Delivery & Lifecycle Information:

[TE Connectivity:](#)

[87474-1](#)