

4

3

2

1


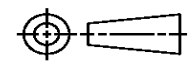
THIS DRAWING IS UNPUBLISHED. RELEASED FOR PUBLICATION  
© COPYRIGHT ALL RIGHTS RESERVED.

LOC		DIST		REVISIONS			
P	LTR	DESCRIPTION		DATE	DWN	APVD	
	A1	ECR-14-003919		18MAR2014	GK	HMR	

# REPLACED BY OCEAN STYLE APPLICATOR PART NUMBER 2266162-1

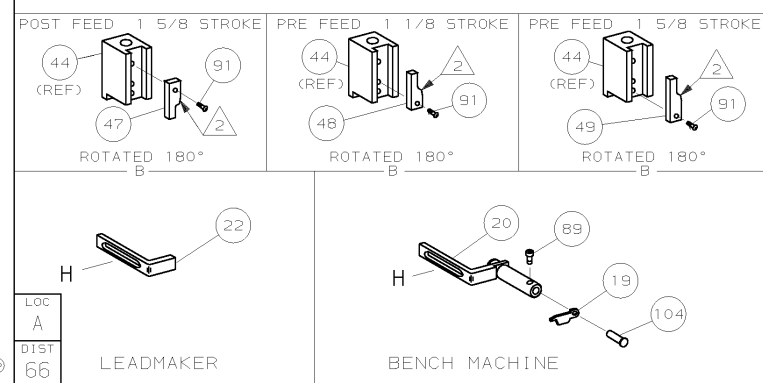
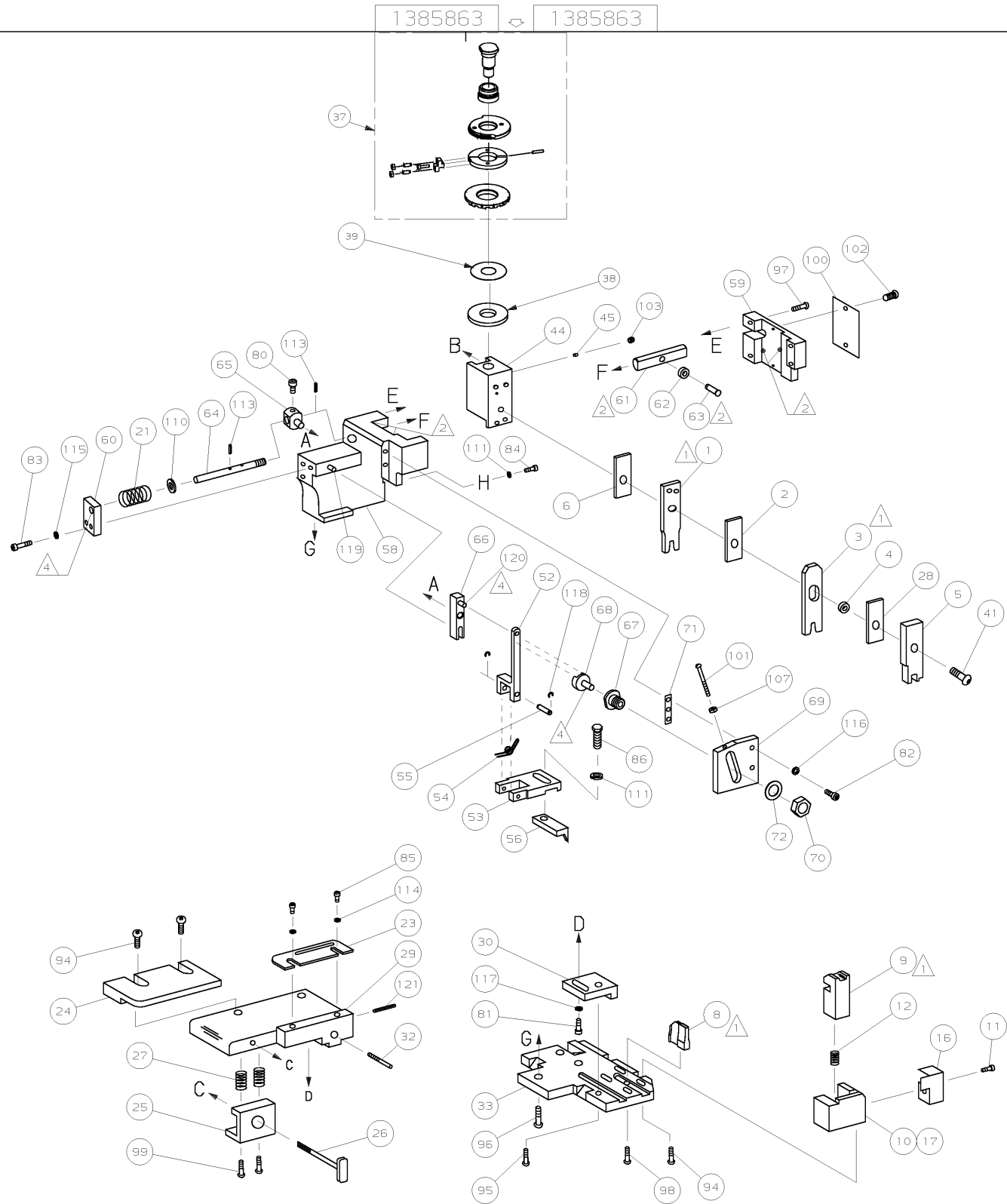
FOR REPLACEMENT PARTS FOR APPLICATOR 1385863  
REFER TO ADDITIONAL PAGE(S). SPARE PARTS KIT (IF LISTED)  
WILL REMAIN AVAILABLE.

THE REPLACEMENT OCEAN STYLE APPLICATOR HAS THE  
SAME TERMINATOR/PRESS INTERFACE AS APPLICATOR  
1385863

THIS DRAWING IS A CONTROLLED DOCUMENT.		DWN	GOPALAKRISHNA HV			TE Connectivity	
DIMENSIONS:		CHK	RAGHAVENDRA			NAME	
		TOLERANCES UNLESS OTHERWISE SPECIFIED:		APVD	RAGHAVENDRA		
		0 PLC ±	1 PLC ±	PRODUCT SPEC			
MATERIAL		2 PLC ±	3 PLC ±	APPLICATION SPEC			
FINISH		4 PLC ±	ANGLES ±	SIZE	CAGE CODE	DRAWING NO	RESTRICTED TO
				A3		©- 1385863	
CUSTOMER DRAWING				SCALE	SHEET 1 OF 3	REV	A1



THIS DRAWING IS A CONTROLLED DOCUMENT



LOC A  
DIST 66

LEADMAKER

BENCH MACHINE

DWG SIZE	PART NO	DESCRIPTION	ITEM NO
← REVISION OF EACH ASSY NO (WHEN BLANK, USE DWG REVISION)			
QTY REQD PER ASSY			
PARTS LIST			
MATL	HT TR	FIN	
DR	APP		
CHK	REL		
NAME SIDE FEED HDM APPLICATOR		MACHINE REF	
SCALE	DWG NO	1385863	SHEET 2 of 2 REV A
CASE CODE 00779	CUSTOMER AND ASSEMBLY DRAWING		RESTRICTED TO

SEE SHEET 1
REVISION RECORD
APP DATE

RELEASED FOR PUBLICATION JANUARY 14, 2005  
ALL RIGHTS RESERVED.  
COPYRIGHT 2005

# Mouser Electronics

Authorized Distributor

Click to View Pricing, Inventory, Delivery & Lifecycle Information:

[TE Connectivity:](#)

[9-1385863-2](#)