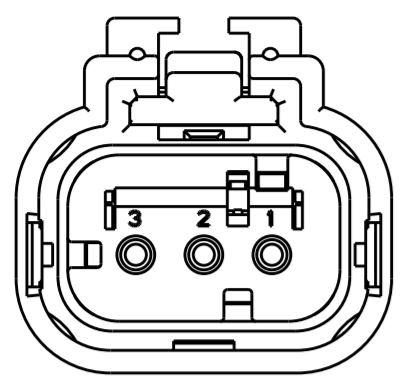
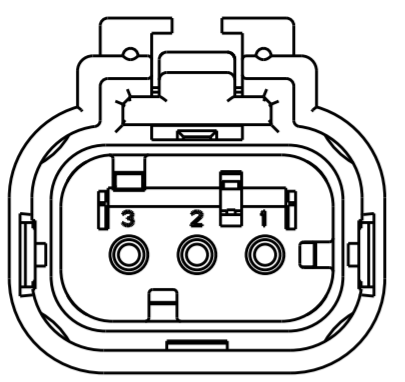


THIS DRAWING IS UNPUBLISHED. RELEASED FOR PUBLICATION 20
 © COPYRIGHT 20 BY - ALL RIGHTS RESERVED.

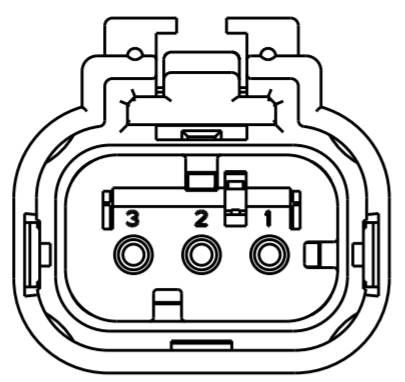
| REVISIONS | | | | |
|-----------|-----|---------------------------|-----------|-------|
| P | LTR | DESCRIPTION | DATE | APVD |
| F | | REVISED PER ECO-13-019095 | 05DEC2013 | DR RB |



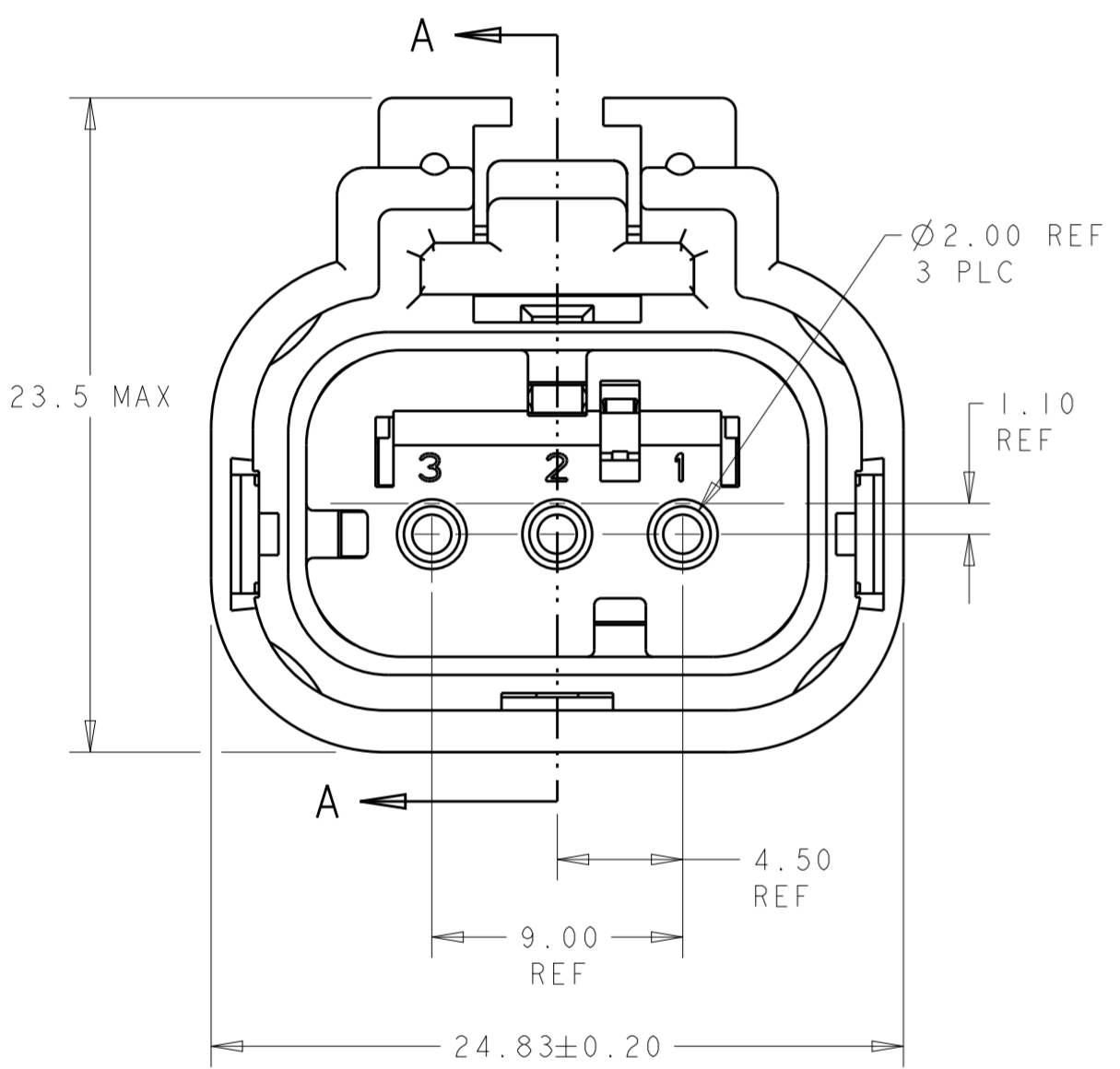
776429-2
SCALE 2:1
KEY B



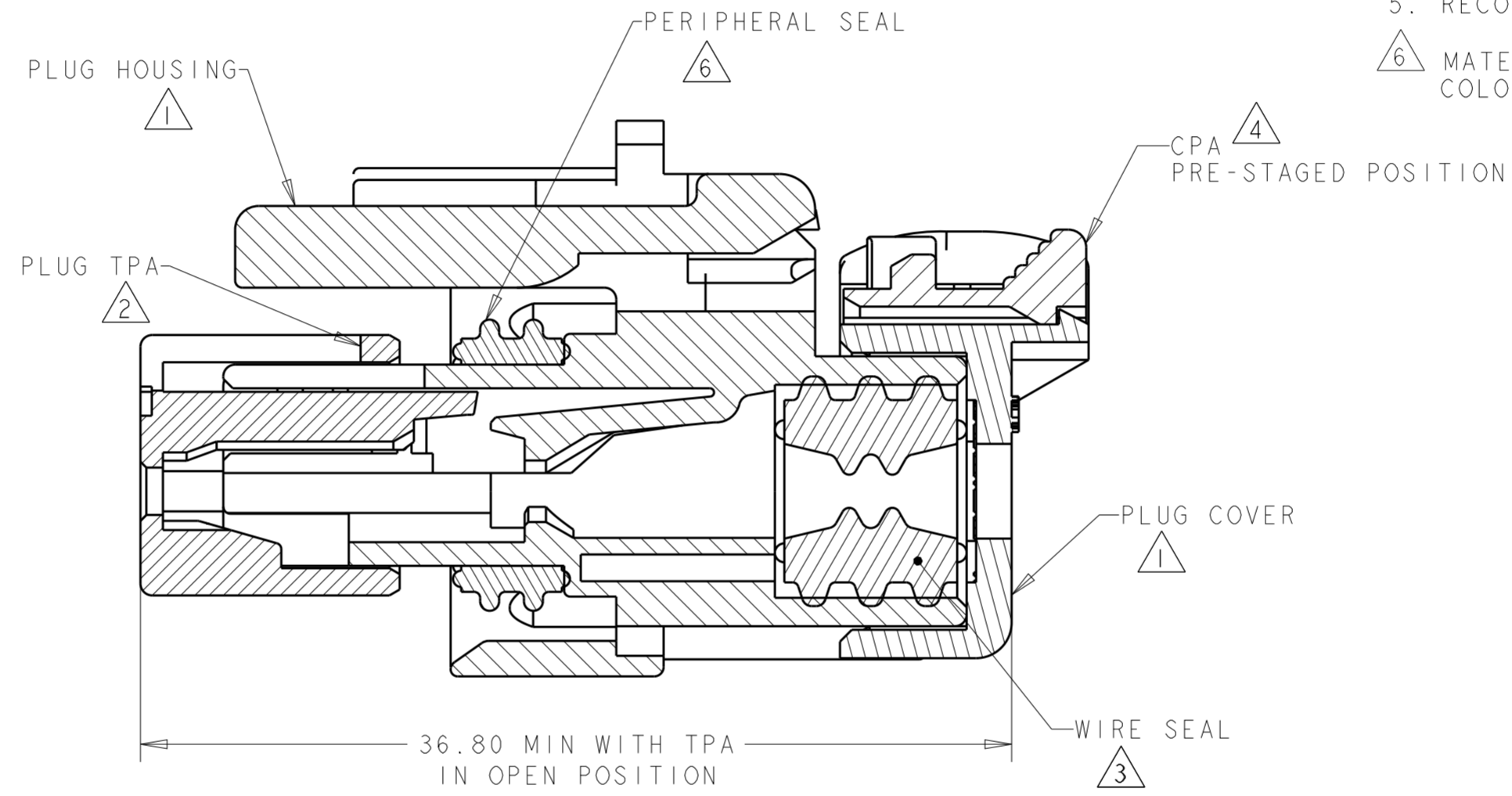
776429-3
SCALE 2:1
KEY C



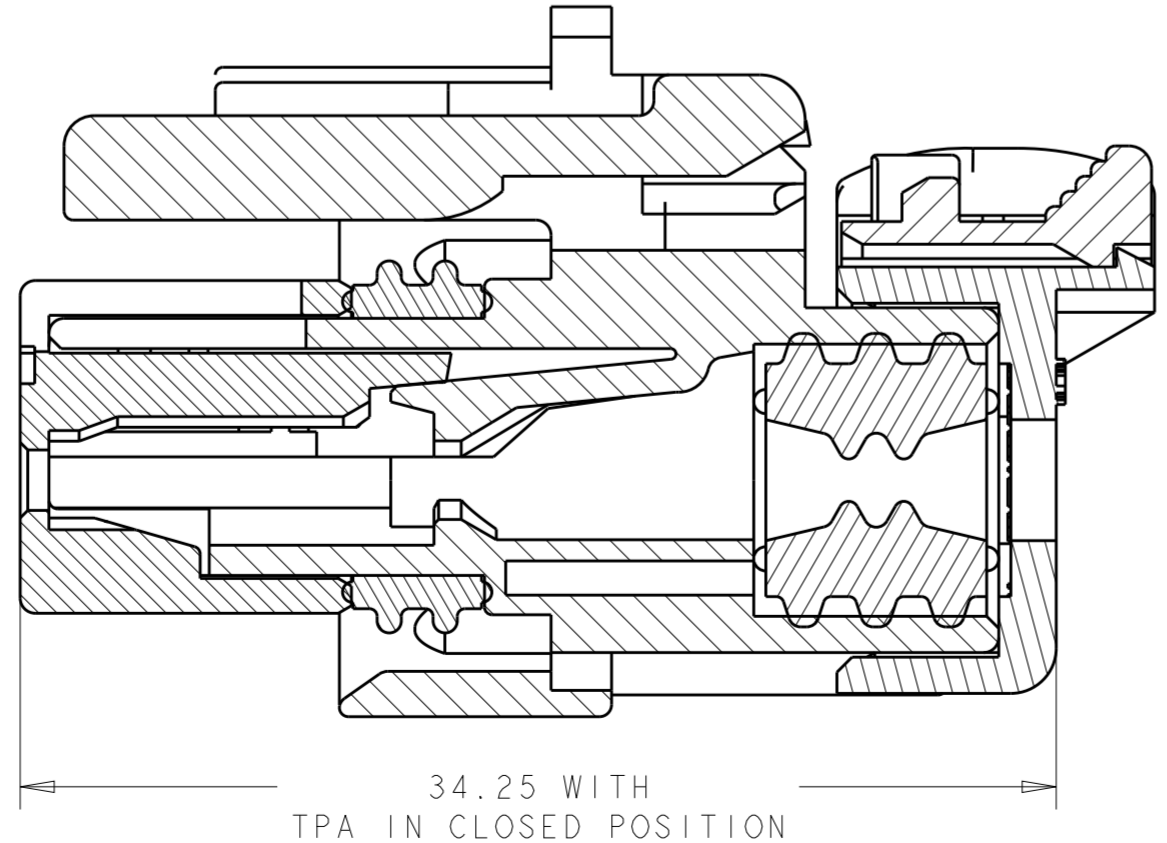
776429-4
SCALE 2:1
KEY D



776429-1 SHOWN
KEY A

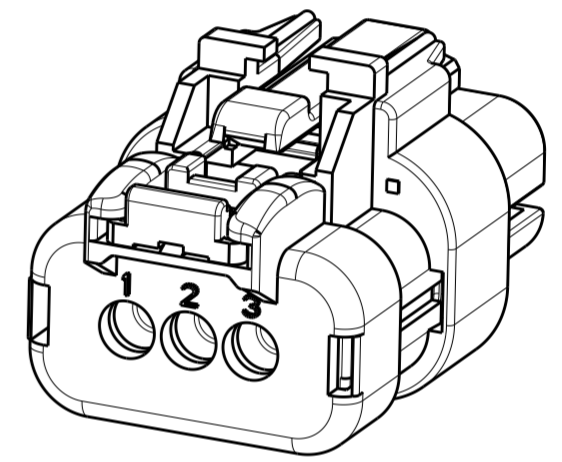


SECTION A-A

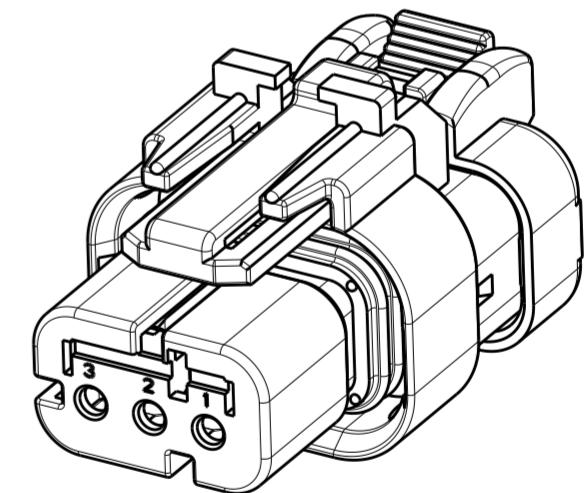


SECTION A-A

- 1 MATERIAL: 15% GLASS FILLED THERMOPLASTIC
COLOR: BLACK
- 2 MATERIAL: 15% GLASS FILLED THERMOPLASTIC
COLOR: (SEE TABLE)
- 3 MATERIAL: SILICONE
COLOR: GREEN
- 4 MATERIAL: 15% GLASS FILLED THERMOPLASTIC
COLOR: RED
- 5. RECOMMENDED WIRE DIAMETER RANGE IS 2.18 TO 3.67mm.
- 6 MATERIAL: SILICONE
COLOR: TAN



SCALE 2:1



SCALE 2:1

| | | |
|-----|-----------|-------------|
| D | GREEN | 776429-4 |
| C | YELLOW | 776429-3 |
| B | GRAY | 776429-2 |
| A | RED | 776429-1 |
| KEY | TPA COLOR | PART NUMBER |

| | | | | |
|--|--|-------------------------------|--|--|
| THIS DRAWING IS A CONTROLLED DOCUMENT. | | DWN AJ GRAFF 22FEB00 | TE Connectivity | |
| DIMENSIONS: mm | | CHK R GREINER 11DEC01 | | |
| TOLERANCES UNLESS OTHERWISE SPECIFIED: | | APVD M TRULLI 11DEC01 | NAME PLUG ASSEMBLY, 3 POSITION, SINGLE ROW AMPSEAL 16 | |
| 0 PLC ± | | PRODUCT SPEC 108-2184 | SIZE CAGE CODE DRAWING NO RESTRICTED TO | |
| 1 PLC ± | | APPLICATION SPEC 114-13065 | A200779C-776429 | |
| 2 PLC ± | | WEIGHT 10 | SCALE 4:1 SHEET OF REV F | |
| 3 PLC ± | | Customer Drawing | | |
| 4 PLC ± | | | | |
| ANGLES ± | | | | |
| FINISH - | | | | |
| - | | | | |

Mouser Electronics

Authorized Distributor

Click to View Pricing, Inventory, Delivery & Lifecycle Information:

[TE Connectivity:](#)

[776429-1](#)