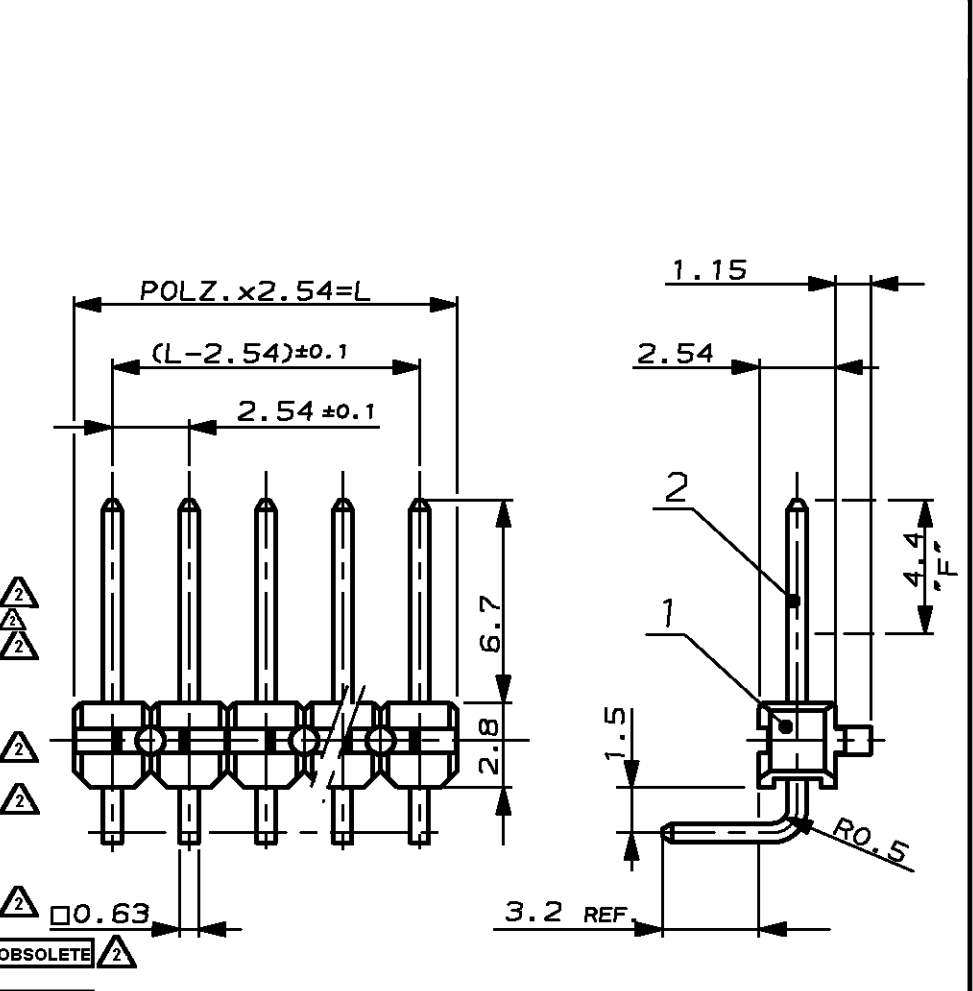


RELEASED FOR PUBLICATION KW 39/96  
FREI FUER VEROEFFENTLICHUNG  
ALL RIGHTS RESERVED. ALLE RECHTE VORBEHALTEN.  
BY TE INCORPORATED.  
THIS DRAWING IS UNPUBLISHED.  
VERTRAULICHE UNVEROEFFENTLICHTETE ZEICHNUNG.  
COPYRIGHT 1975

MATED WITH: PASSEND ZU:	LOC <b>AI</b>	DIST <b>-</b>	REVISIONS AENDERUNGEN DESCRIPTION BESCHREIBUNG					
PROJEKT NR.: <b>E 75-9231</b>			P	LTR		DATE	DWN	APVD
			V		Contact pin base material change from CuSn (Phosphor bronze) to CuZn (Brass). Plating change from min. 0.8microns gold plating to min. 0.7 microns Pd Ni + 0.1 microns gold flash at contact area (Area F).	24 JUN 2014	TJ	JK

POLZ.	L±0.5	BESTELL-NR.
-	-	-
2	5.08	825 437 -2
3	7.62	-3
4	10.16	-4
5	12.70	-5
6	15.24	-6
7	17.78	-7
8	20.32	-8
9	22.86	-9
10	25.40	1- -0
11	27.94	1- -1
12	30.48	1- -2
13	33.02	1- -3
14	35.56	1- -4
15	38.10	1- -5
16	40.64	1- -6
17	43.18	1- -7
18	45.72	1- -8
19	48.26	1- -9
20	50.80	2- -0
21	53.34	2- -1
22	55.88	2- -2
23	58.42	2- -3
24	60.96	2- -4
25	63.50	2- -5
26	66.04	2- -6
27	68.58	2- -7
28	71.12	2- -8
29	73.66	2- -9
30	76.20	3- -0
31	78.74	3- -1
32	81.28	3- -2
33	83.82	3- -3
34	86.36	3- -4
35	88.90	3- -5
36	91.44	3- -6
37	93.98	3- -7
38	96.52	3- -8
39	99.06	3- -9
40	101.60	4- -0
41	104.14	4- -1
42	106.68	4- -2
43	109.22	4- -3
44	111.76	4- -4
45	114.30	4- -5
46	116.84	4- -6
47	119.38	4- -7
48	121.92	4- -8
49	124.46	4- -9
50	127.00	5- 825 437 -0



- 1 MATING SIDE: MIN 0.7µm PdNi + 0.1µm GOLD FLASH. SOLDER SIDE: MIN 2.5µm TIN OVER 1.27µm NICKEL.
- 2 OBSOLETE PARTS: OBSOLETE CIS STREAMLINING PER D.RENAUD/D.SINISI
- 3 OBSOLETE

CUSTOMER PART NO	TE PART NO	REV.	PCS.	MATERIAL	SURFACE COLOR	DESCRIPTION	ITEM NO
-	-	-	-	Cu Zn	1 GREEN GRÜN	CONTACT PIN KONTAKTSTIFT	2
-	-	-	-	PBT GV		PIN HOUSING STIFTGEHÄUSE	1

**TE Connectivity**

AMPMODU II PIN HEADER, 90DEGREE, SINGLE ROW

SIZE: **A4** CAGE CODE: **00779** DRAWING NO: **825437**

RESTRICTED TO NUR FUER

CUSTOMER DRAWING /KUNDENZEICHNUNG MASSSTAB: 4:1 BLATT 1 OF 1 REV V

**TE**

NAME: AMPMODU II PIN HEADER, 90DEGREE, SINGLE ROW

PRODUCT SPEC: 108-18012

APVD: -

CHK: BÖCK 17.12.75

DWN: DAHLHEIMER 05.12.75

DIMENSIONS: DIMENSIONEN: mm

TOLERANCES UNLESS OTHERWISE SPECIFIED: ALLGEMEINTOLERANZEN

PLC: ±0.2

PLC: ±0.2

PLC: ±0.2

PLC: ±

ANGLES/WINKEL: ±1°

WEIGHT: -

GEWICHT: -

MATERIAL: -

FINISH OBERFLÄCHE/FARBE: -

# Mouser Electronics

Authorized Distributor

Click to View Pricing, Inventory, Delivery & Lifecycle Information:

[TE Connectivity:](#)

[2-825437-4](#)