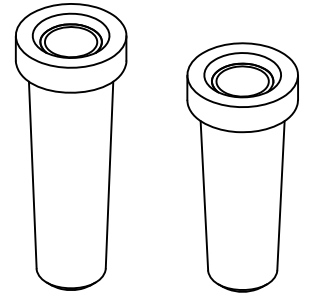
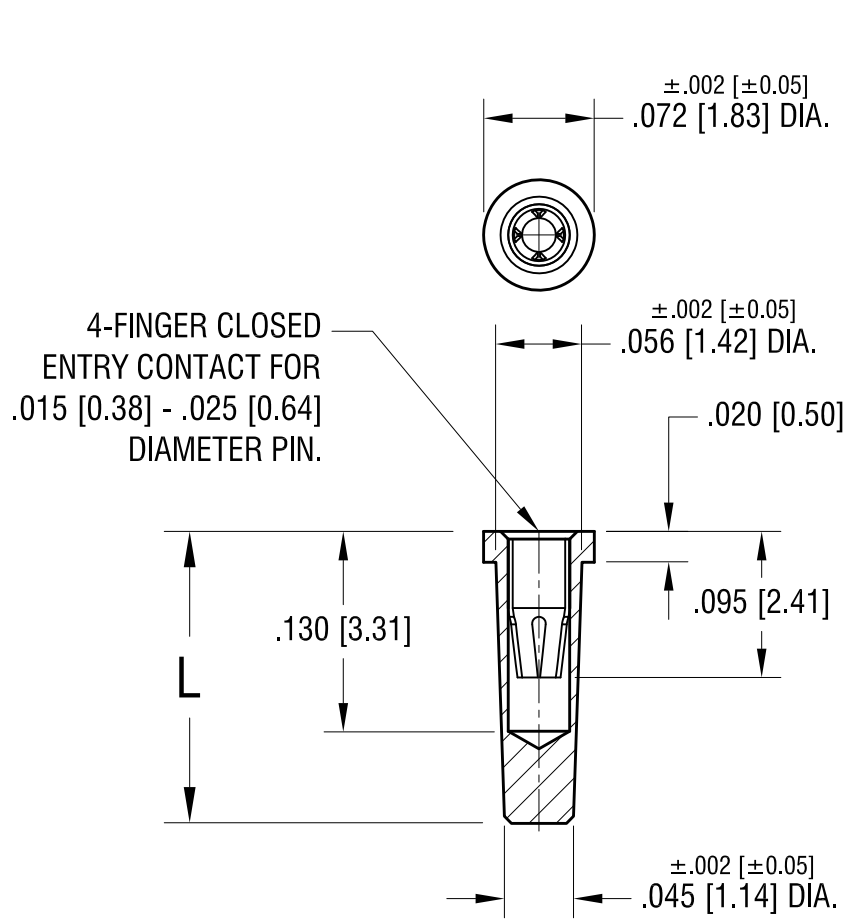


THIS DOCUMENT IS THE PROPERTY OF
KEYSTONE ELECTRONICS CORP. AND
SHALL NOT BE REPRODUCED, DISTRIBUTED
OR USED AS A BASIS FOR MANUFACTURE
WITHOUT PRIOR WRITTEN PERMISSION
FROM KEYSTONE ELECTRONICS CORP.



NOTES:

1. BODY: MAT'L - BRASS
SPRING CONTACT: MAT'L - BERYLLIUM COPPER
2. MOUNTING HOLE DIA.: .055 [1.40]

PART NO.	'L' DIM.
1415-1	.160 [4.06]
1415-2	.190 [4.83]

2.22.11	CHANGE AS PER ECN 11-019	A
DATE	DESCRIPTION	REV.

KEYSTONE ELECTRONICS CORP.			
www.keyelco.com • ASTORIA, N.Y. 11105-2017 • Tel (718) 956-8900			
PART NAME MICRO JACK, TAPER-FIT			
MATERIAL AS NOTED			
FINISH GOLD PLATE		DRN BY BOONE	DATE 2.15.07
		APP'D LN	SCALE 8X
TOLERANCES DECIMAL ANGULAR	INCH [MM] ±.005 [±0.13] ± 1°	CODE C/M	DWG NO. 1415-1 - 1415-2
UNLESS OTHERWISE SPECIFIED			

Mouser Electronics

Authorized Distributor

Click to View Pricing, Inventory, Delivery & Lifecycle Information:

[Keystone Electronics:](#)

[1415-2](#)