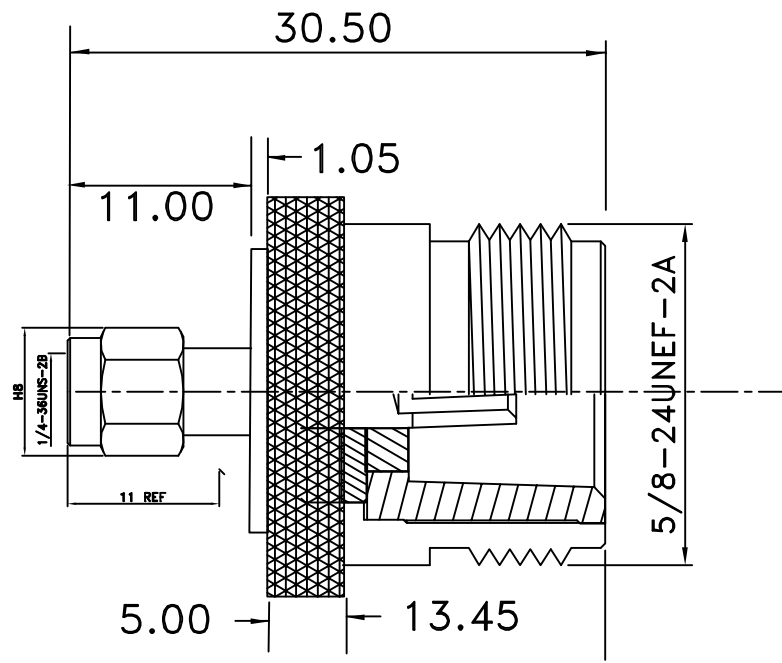


REV	DESCRIPTION	DRAWN	DATE



10	Gasket	1	Si-rubber	Orange
9	Retaining ring	1	Brass	Nickel
8	Shell	1	Brass	Nickel
7	Ground ring	1	Brass	Nickel
6	Sleeve	1	Brass	Nickel
5	Dielectric	2	Teflon	None
4	Pin	1	Brass	Gold
3	Pin	1	Brass	Gold
2	Body	1	Brass	Nickel
1	Body	1	Brass	Nickel
NO	Description	Q'ty	Material	Finish

UNLESS OTHERWISE SPECIFIED 1.REMOVE ALL BURRS. 2.BREAK ALL CONNERS & EDGES CO.15 MAX. 3.CHAMFER 1ST & LAST THREADS 45°. 4.DIAMETERS ON COMMON CENTERS. TO BE CONCENTRIC WITHIN 0.1 T.I.R. 5.ALL DIMENSIONS ARE AFTER PLATING.	* MAJOR DIMENSION	APPROVED	<i>Bomar Interconnect Products, Inc.</i>	
	UNLESS OTHERWISE NOTED TOLERANCES 0.5-6=±0.2 6-30=±0.4 30-120=±0.6 120-315=±1.0 ANGLES=±1°	BB		
SCALE 3/1	UNIT MM	CHECKED	TITLE	REV A
		DRAWN	N FEMALE TO SMA MALE	
		RUSSELL	DRAWING NO. 9311505	
		DRAWN DATE 10/08/01	FILE NO.	

Mouser Electronics

Authorized Distributor

Click to View Pricing, Inventory, Delivery & Lifecycle Information:

[Bomar Interconnect:](#)

[9311505](#)