

Future Technology Devices International Ltd

USB-COM422-PLUS4

CE FC

Datasheet

Document Reference No.: FT_000135

Version 1.0

Issue Date: 2009-09-14

Future Technology Devices International Ltd (FTDI)

Unit 1, 2 Seaward Place, Centurion Business Park, Glasgow, G41 1HH, United Kingdom

Tel.: +44 (0) 141 429 2777 Fax: + 44 (0) 141 429 2758

E-Mail (Support): support1@ftdichip.com Web: <http://www.ftdichip.com>

Neither the whole nor any part of the information contained in, or the product described in this manual, may be adapted or reproduced in any material or electronic form without the prior written consent of the copyright holder. This product and its documentation are supplied on an as-is basis and no warranty as to their suitability for any particular purpose is either made or implied. Future Technology Devices International Ltd will not accept any claim for damages howsoever arising as a result of use or failure of this product. Your statutory rights are not affected. This product or any variant of it is not intended for use in any medical appliance, device or system in which the failure of the product might reasonably be expected to result in personal injury. This document provides preliminary information that may be subject to change without notice. No freedom to use patents or other intellectual property rights is implied by the publication of this document. Future Technology Devices International Ltd, Unit1, 2 Seaward Place, Centurion Business Park, Glasgow, G41 1HH, United Kingdom. Scotland Registered Number: SC136640

1 Introduction

1.1 Functional Description

The USB-COM422-PLUS4 is a USB to a quad interface RS422 level serial UART adaptor incorporating FTDI's FT4232H Hi-Speed USB2.0 (480Mb/s) to quad serial UART interface IC device. The FT4232H handles all the USB signaling and protocols. The adaptor provides a fast, simple way to connect devices with an RS422 interface to USB.

USB-COM422-PLUS4 is a USB to a quad-port RS422 adapter.

The integrated electronics of the USB-COM422-PLUS4 utilise the FTDI FT4232H and includes RS422 level shifters plus TXD/RXD LEDs to provide a visual indication of data traffic through the module.

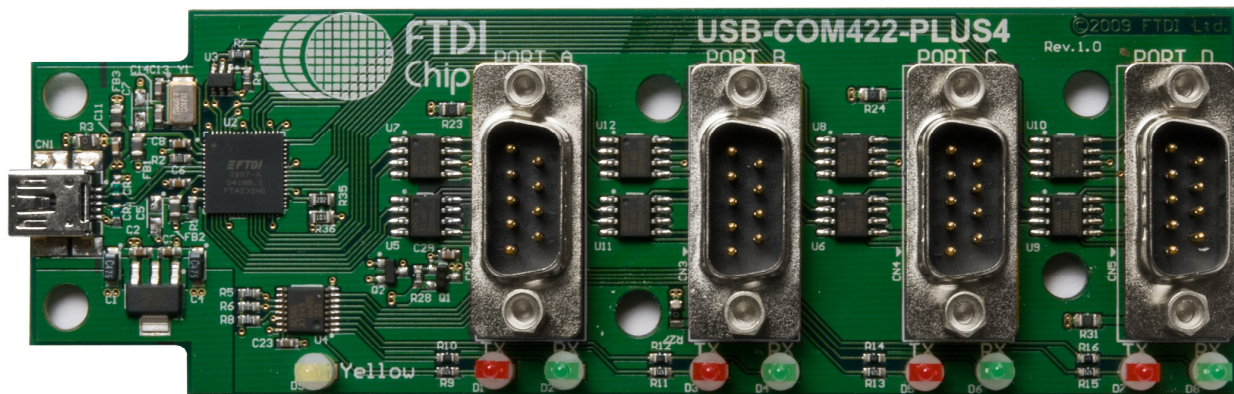


Figure 1.1 USB-COM422-PLUS4

The module uses a standard USB Mini B device connector for connection to an upstream host or hub port. RS422-level signals, including modem handshake signals, are available on an industry-standard DE-9P connector. The maximum RS422-level data rate is 10Mbps.

The USB-COM422-PLUS4 module requires USB device drivers, available free from www.ftdichip.com, which are used to make the USB-COM422-PLUS4 appear as four Virtual COM Ports (VCP). This allows existing serial communications software, such as HyperTerminal, to exchange data through the USB-COM422-PLUS4 to a legacy RS422 peripheral device.

1.2 LED Description

The USB-COM422-PLUS4 uses 9 LEDs to indicate a valid link as well as data traffic according to the following table:

| LED Color | Function | Description | Quantity |
|-----------|--------------|---|----------|
| Yellow | Enumerated | ON when USB-COM-PLUS4 is configured and ready | 1 |
| Red | TxD Activity | Flashes when data is transmitted from the USB-COM422-PLUS4 to the attached RS422 device | 4 |
| Green | RxD Activity | Flashes when data is transmitted from the attached RS422 device to the USB-COM422-PLUS4 | 4 |

Table 1.1 – LED Description

1.3 Block Diagram

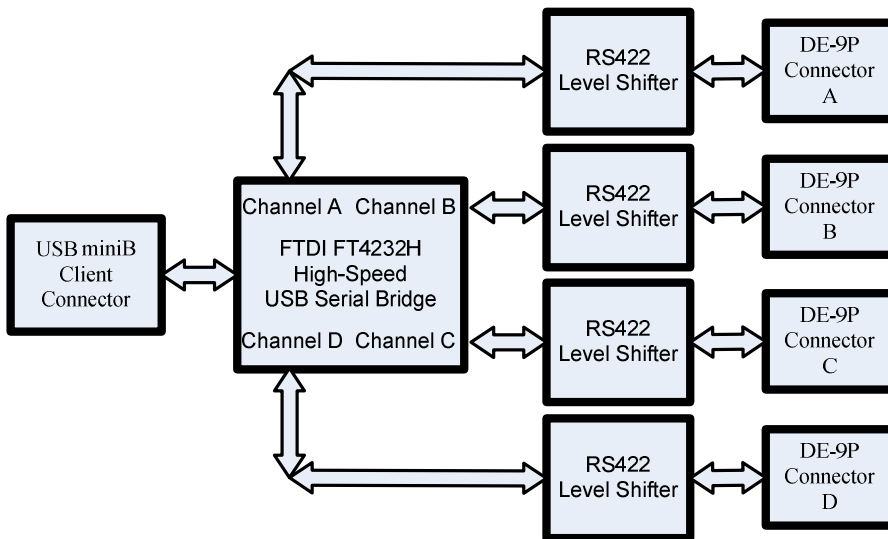


Figure 1.2 USB-COM422-PLUS4 Block Diagram

1.3.1 Block description

USB Mini B Client Connector

This connector provides the interface for connection to a USB Host or Hub port. A USB-A to USB-Mini B cable is provided, though one of a different length may also be used. The maximum cable length is 5 meters, according to the USB 2.0 specification.

FTDI FT4232H

FT4232H Hi-Speed USB2.0 (480Mb/s) is a quad serial UART interface IC device. Operating system device drivers are required in order to work with the one to provide the Virtual COM Port serial functionality.

Quad RS422 Level Shifter

The RS422 level shifter converts the signals provided by the FT4232H into the voltage levels required by RS422 devices.

Quad DE-9P Connector (Male)

The DE-9P connector is configured in an industry standard (TIA/EIA-574) pin-out to provide connection to RS422 peripherals through standard cables. See section 3.1.2

1.4 Features

- Adds quad RS-422 serial ports by connecting to a USB 2.0 Hi-Speed interface.
- Easy plug & play installation and RS-422 device connection
- Works with USB 1.1 & 2.0 Host and Hub ports
- Industry Standard FTDI chip set & device drivers for maximum compatibility
- Microsoft Windows® WHQL-certified, Mac OS X, Linux and Windows CE device drivers
- Installs as four standard Windows COM ports
- COM port number can be changed to any available COM port number, to support HyperTerminal, or any other serial communications software application running in Windows
- Supports Windows Server 2008, 2003, Vista, XP, 2000, Windows CE, Linux, Mac OS X
- FIFO: 2k byte transmit buffer, 2k byte receive buffer
- RS-422 data signals: TxD+, TxD-, RxD+, RxD-, RTS+, RTS-, CTS+, CTS-, GND
- Powered by USB port. No external power adapter required.
- Serial port speed up to 10Mbps
- Serial Communication Parameters
 - Parity: None, Even, Odd
 - Data bits: 7, 8
 - Flow control: RTS/CTS , X-ON/X-OFF, None
- Four DE-9P male connectors
- LEDs indicate USB Enumeration, RxD, TxD for monitoring port status & easy diagnostics
- Operating temperature of -40°C to +85°C

1.5 Performance Figures

| Parameter | Performance |
|------------------|---|
| USB Interface | 480Mbps USB 2.0 High-Speed |
| RS422 Interface | Standard Windows baud rates (300bps to 921.6Kbps) Custom baud rates (300bps to 10Mbps) through baud rate aliasing. See FTDI Application Note: Configuring FT232R, FT2232 and FT232BM Baud Rates |
| Max Cable Length | USB=5m, RS422=12m (for 10Mbps) |

Table 1.2 - Performance Figures

| Part Number | Description |
|------------------|---|
| USB-COM422-PLUS4 | USB-COM-Plus Hi-Speed USB to quad-Port RS422 module |

Table 1.3 - Ordering Information

| | | |
|-----------|--|-----------|
| 1 | Introduction | 1 |
| 1.1 | Functional Description | 1 |
| 1.2 | LED Description..... | 2 |
| 1.3 | Block Diagram | 3 |
| 1.3.1 | Block description | 3 |
| 1.4 | Features..... | 4 |
| 1.5 | Performance Figures | 4 |
| 2 | Installation..... | 7 |
| 2.1 | Example Applications and Configurations | 7 |
| 2.1.1 | Wiring..... | 7 |
| 2.2 | Device Driver Installation | 8 |
| 2.2.1 | Microsoft Windows..... | 8 |
| 2.2.2 | Mac OS X, Linux, Windows CE..... | 12 |
| 3 | Connections..... | 13 |
| 3.1 | External Connectors | 13 |
| 3.1.1 | USB..... | 13 |
| 3.1.2 | RS422..... | 13 |
| 4 | Electrical details | 14 |
| 4.1 | USB | 14 |
| 4.2 | RS422 | 14 |
| 5 | Mechanical Details..... | 15 |
| 5.1 | Module Mechanical Dimensions..... | 15 |
| 6 | Physical Environment Details | 16 |
| 6.1 | Storage | 16 |
| 6.2 | Operating | 16 |
| 7 | Environmental Approvals & Declarations..... | 17 |
| 7.1 | EMI Compatibility..... | 17 |
| 7.2 | Safety..... | 17 |
| 7.3 | Environmental..... | 17 |
| 7.4 | Reliability..... | 17 |
| 7.4.1 | MTTF | 17 |
| 7.5 | Import / Export Information..... | 18 |
| 8 | Troubleshooting | 19 |
| 8.1 | Hardware | 19 |
| 8.2 | Device Driver | 19 |
| 9 | Contact Information | 20 |
| 10 | Appendix A - List of Figures and tables..... | 22 |



Appendix B - Revision History 23

2 Installation

2.1 Example Applications and Configurations

2.1.1 Wiring

Insert the A-plug into an available USB Host or Hub port. Insert the miniB-plug into the miniB-receptacle on the USB-COM422-PLUS4.

The USB-COM422-PLUS4 follows EIA-422 standard as a Data Terminal Equipment (DTE) device. If the RS422 equipment being connected is a Data Communication Equipment (DCE) device, it's typical that a straight-through cable can be used.

| DTE Pin Number | Signal Name | Expected Connect Signal |
|----------------|--|-------------------------|
| 1 | TXD- = Transmit Data, negative polarity | RXD- |
| 2 | TXD+ = Transmit Data, positive polarity | RXD+ |
| 3 | RXD+ = Receive Data, positive polarity | TXD+ |
| 4 | RXD- = Receive Data, negative polarity | TXD- |
| 5 | GND = signal ground | GND |
| 6 | RTS- = Request To Send, negative polarity | CTS- |
| 7 | RTS+ = Request To Send, positive polarity | CTS+ |
| 8 | CTS+ = Clear To Send, positive polarity | RTS+ |
| 9 | CTS- = Clear To Send, negative polarity | RTS- |

Table 2.1 – RS422 DTE to DCE connection with straight-through cable

Some serial devices may require certain handshake signals to be connected. Refer to your device manual for cabling details.

2.2 Device Driver Installation

The USB-COM422-PLUS4 module drivers are available for download from:

www.ftdichip.com

2.2.1 Microsoft Windows

With the device drivers being Windows Hardware Quality Labs (WHQL) certified, they are also available through download directly from the Microsoft® Windows® Update service. This is the best choice when connecting the USB-COM422-PLUS4 to a computer running Windows Vista. Additional installation options are noted below:

Installation Executable shown on Windows XP

- 1) Login to your system as Administrator, or a user with Administrator rights.
- 2) Prior to connecting the USB-COM422- PLUS4 to the USB Host or Hub port, download the latest device driver version from the FTDI web site.
- 3) Run this executable to install the device drivers.
- 4) Connect the USB-COM422-PLUS4 to your computer. A notification will appear near the task bar indicating that new hardware has been installed and is ready for use. It is normal if this notice appears twice.

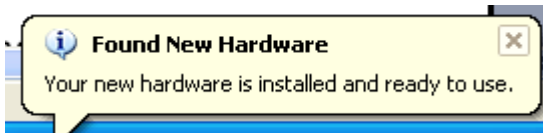


Figure 2.1 - Hardware Ready

Windows Update shown on Windows XP

You must have an active Internet connection and the Windows Update Service enabled.

- 1) Connect the USB-COM422-PLUS4 to your USB Host or Hub.
- 2) The "Found New Hardware" Wizard will appear. The first dialog should ask whether it is acceptable to use the Windows Update Service to find the device driver.



Figure 2.2 – Found New Hardware Wizard

- 3) Select one of the "Yes" choices and click "Next".
- 4) The following screen appears:

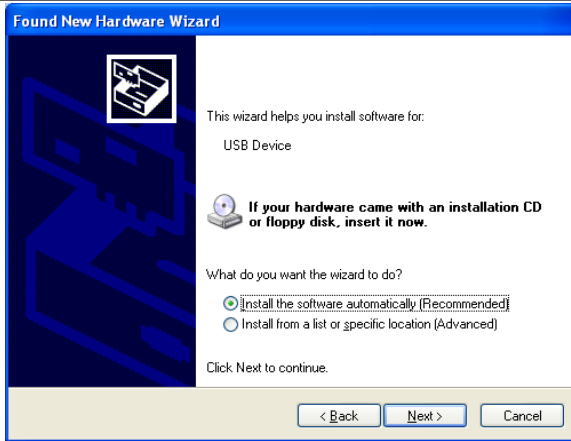


Figure 2.3 – Automatic Install

- 5) Wait while the driver is found, downloaded, and installed. This step may take a couple minutes.



- 6) After the files are found and installed, click "Finish" to complete the installation.

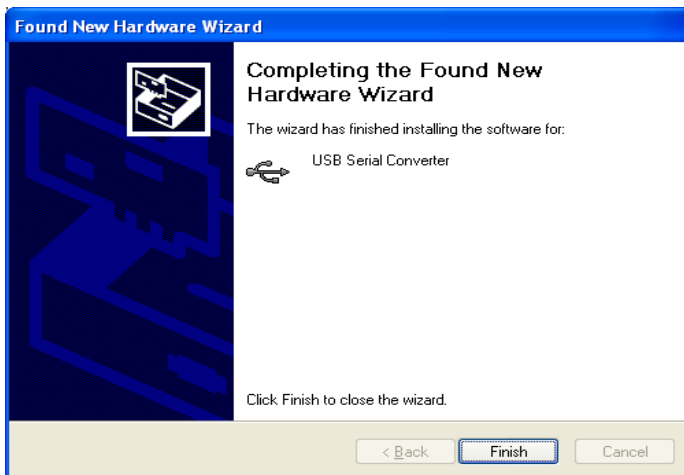


Figure 2.4 - Complete Hardware Installation

- 7) Steps 2 through 6 will repeat. The first time installs the basic USB Serial Converter in the USB device tree. The second time installs the Virtual COM Port layer in the Ports tree and assigns the COM port number. You must install the Virtual COM Port layer four times, because the USB-COM422-PLUS4 has four Virtual COM Ports.
- 8) When both portions of the device driver have been installed successfully, the following message will appear, indicating that the device is ready.

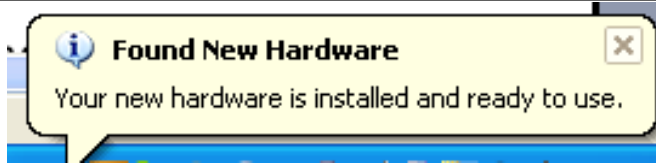


Figure 2.5 - Hardware Ready

COM Port Assignment

Next, to determine which COM port has been assigned, open the Windows Device Manager from the System Control Panel.

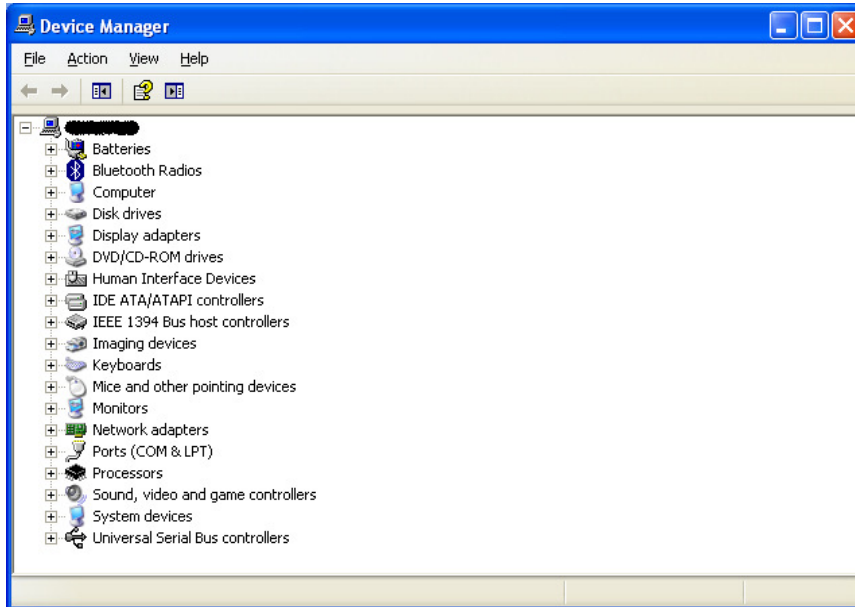


Figure 2.6 - Device Manager

Click on the Plus “+” sign next to the Ports tree and Universal Serial Bus controllers tree to list the available USB device. You will see four additional “USB Serial Port”, followed by a COMn assignment. And four additional “USB Serial Converter A”, “USB Serial Converter B”, “USB Serial Converter C” and “USB Serial Converter D”.

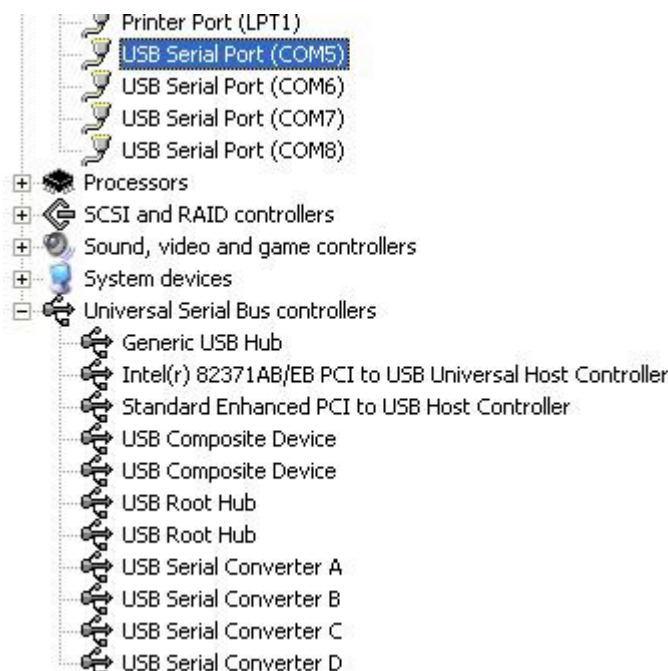


Figure 2.7 - COM Port and USB Device name Assignment

To determine which COM port has been assigned to Converter A, B, C or D, the cursor point to the USB Serial Port (COM5), (COM6), (COM7), (COM8), then right-click on it and select "Properties", it shows their relationship to the Converter A, B, C or D.

In the figure below, the Converter A is assigned to COM5, Converter B is assigned to COM6, Converter C is assigned to COM7 and Converter D is assigned to COM8.

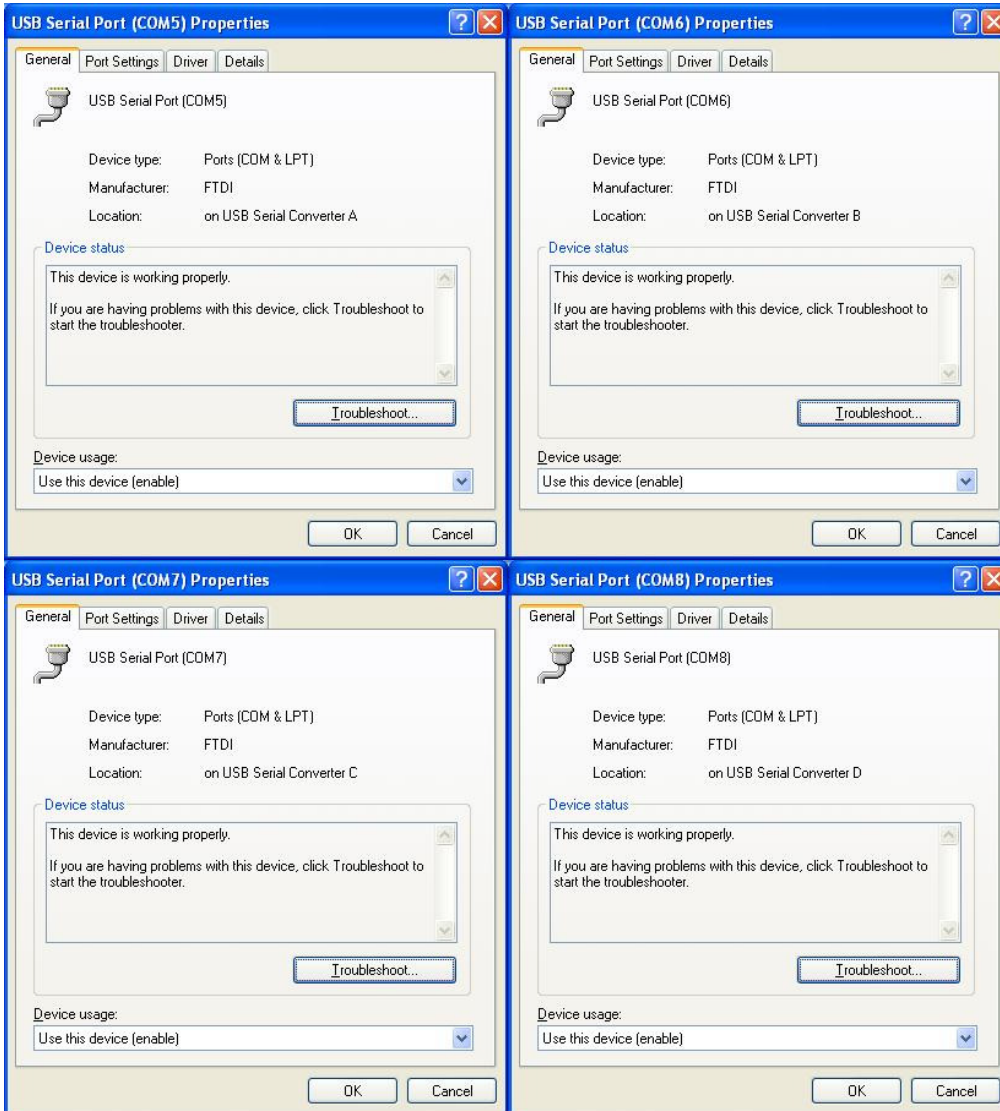


Figure 2.8 - COM Port Assignment and Properties

Use this COM port number with your application software in order to access the USB-COM422-PLUS4.

If an application requires use of a different COM port number, the assignment may be changed through the Advanced Driver Options settings.

From the above "Properties", click on the "Port Settings" tab.

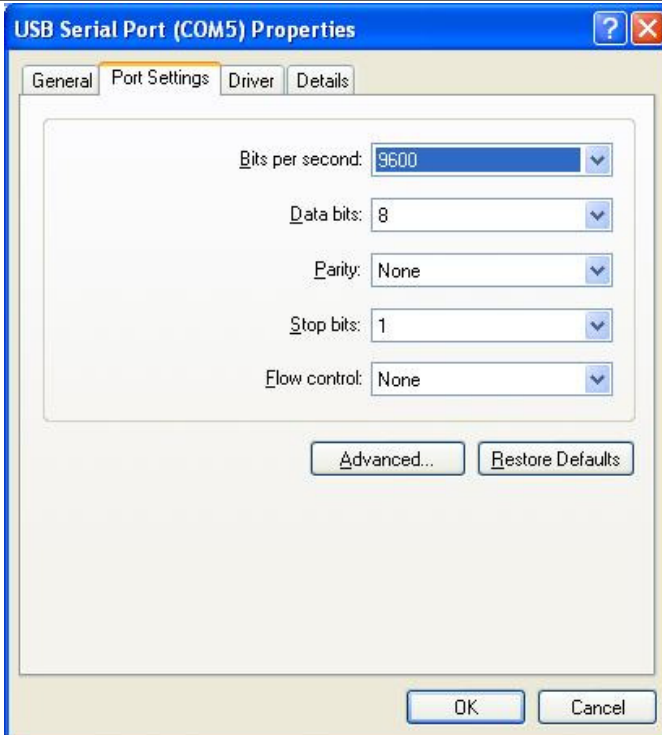


Figure 2.9 - Settings Tab

Then click on the "Advanced..." button.

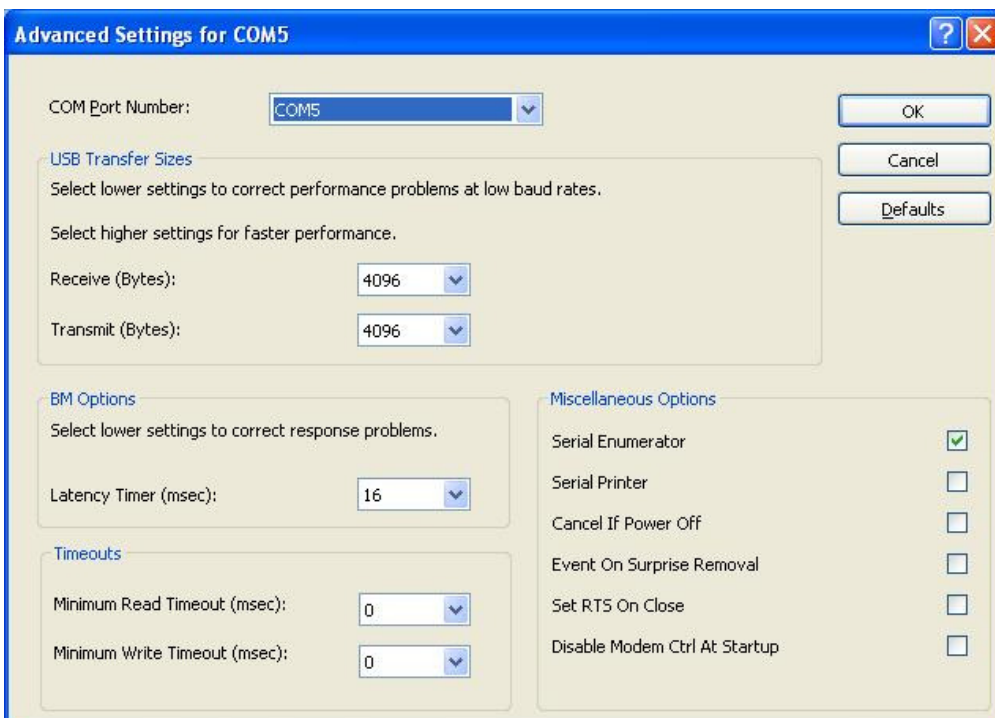


Figure 2.10 - Advanced Options

This will display the various advanced settings. Note the COM port assignment in the upper left. Clicking on the drop-down list will display the available port numbers. Select one that is not in use and click OK on each dialog box to activate the selection. Windows will remember this COM port number.

2.2.2 Mac OS X, Linux, Windows CE

Device drivers and FTDI installation guides for Mac OS X, Linux and Windows CE are available for download on the FTDIChip web sites. Follow the respective FTDI installation guides for the chosen operating system.

3 Connections

3.1 External Connectors

3.1.1 USB

The USB-COM422-PLUS4 is a downstream USB 2.0 High-speed Device. A standard USB "mini B" receptacle is mounted inside the USB-COM422-PLUS4 to facilitate connection to an upstream USB Host or Hub.

| Pin Number | Pin Type | Description |
|------------|---------------|---|
| 1 | Power | VBUS = USB Power provided from upstream USB Host or Hub |
| 2 | Bidirectional | D- = USB data signal, negative polarity |
| 3 | Bidirectional | D+ = USB data signal, positive polarity |
| 4 | ID | No connected |
| 5 | Ground | GND = USB signal ground |
| Shield | Case Ground | Drain = typically connected to the host PC case |

Table 3.1 – USB "mini B" Receptacle Pin-Out

3.1.2 RS422

The four RS422 ports are configured as Data Terminal Equipment (DTE), with a 9-contact D-Sub Pin connector. Pin assignments are according to TIA/EIA-422.

| Pin Number | Pin Type | Description |
|------------|----------|---|
| 1 | Output | TXD- = Transmit Data, negative polarity |
| 2 | Output | TXD+ = Transmit Data, positive polarity |
| 3 | Input | RXD+ = Receive Data, positive polarity |
| 4 | Input | RXD- = Receive Data, negative polarity |
| 5 | Ground | GND = signal ground |
| 6 | Output | RTS- = Request To Send, negative polarity |
| 7 | Output | RTS+ = Request To Send, positive polarity |
| 8 | Input | CTS+ = Clear To Send, positive polarity |
| 9 | Input | CTS- = Clear To Send, negative polarity |

Table 3.2 – DE-9P RS422 Pin-Out

4 Electrical details

4.1 USB

| Parameter | Description | Minimum | Typical | Maximum | Units | Conditions |
|-----------------|----------------------|---------|---------|---------|-------|--|
| USB_VCC | Input Power Voltage* | 4.25 | 5.0* | 5.25 | V | *Present when USB cable is attached and USB Host or Hub powered. |
| I _{cc} | USB current | | 30 | 50 | mA | |

Table 4.1 - USB Electrical Details

4.2 RS422

| Parameter | Description | Minimum | Typical | Maximum | Units | Conditions |
|--------------------|----------------------------------|---------|---------|---------|-------|---|
| V _{trans} | Transmitter output voltage swing | 2 | | | V | R _L = 50R, C _L = 50pF |
| V _{rec} | Receiver input voltage range | -7 | | +12 | V | R _L = 50R, C _L = 50pF |
| ESD HBM | N/A | | ±15 | | KV | For all RS-422 Inputs and Outputs pin |

Table 4.2 - RS422 Electrical Details

5 Mechanical Details

5.1 Module Mechanical Dimensions

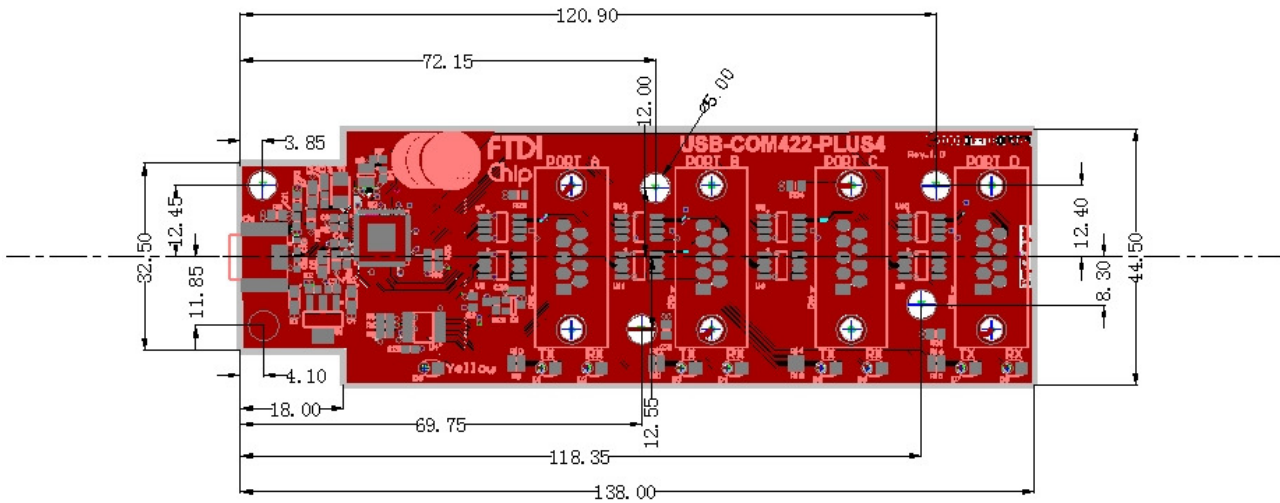


Figure 5.1 - USB-COM422-PLUS4 PCB Dimensions

Dimensions are in mm. The height of the module is dominated by the 4 D-type connectors and stands 12.8mm +/- 1mm. The D-type pins protrude below the PCB by 2.54mm +/- 1mm

6 Physical Environment Details

6.1 Storage

| Parameter | Description | Minimum | Typical | Maximum | Units | Conditions |
|-----------|---------------------------|---------|---------|---------|-------|------------|
| T | Storage Temperature Range | -65 | | +150 | °C | |

Table 6.1 - Storage Temperature

6.2 Operating

| Parameter | Description | Minimum | Typical | Maximum | Units | Conditions |
|-----------|-----------------------------|---------|---------|---------|-------|---------------------------------|
| T | Operating Temperature Range | -40 | | +85 | °C | 5% to 95% RH, non condensing |

Table 6.2 - Operating Temperature

7 Environmental Approvals & Declarations

7.1 EMI Compatibility

FCC and CE

The USB-COM422-PLUS4 has been tested to be compliant with both FCC Part 15 Subpart B and European EMC Directive.



NOTE: This is a Class B product. In a domestic environment, this product may cause radio interference, in which case the user may be required to take adequate measures.



NOTE: This equipment has been tested and found to comply with the limits for a Class B digital device, pursuant to Part 15 of the FCC Rules. These limits are designed to provide reasonable protection against harmful interference in a residential installation. This equipment generates, uses and can radiate radio frequency energy and, if not installed and used in accordance with the instructions, may cause harmful interference to radio communications. However, there is no guarantee that interference will not occur in a particular installation. If this equipment does cause harmful interference to radio or television reception, which can be determined by turning the equipment off and on, the user is encouraged to try to correct the interference by one or more of the following measures:

- Reorient or relocate the receiving antenna.
- Increase the separation between the equipment and receiver.
- Connect the equipment into an outlet on a circuit different from that to which the receiver is connected.
- Consult the dealer or an experienced radio/TV technician for help.

7.2 Safety

The USB-COM422-PLUS4 is defined as Limited Power Supply (LPS) device, with operating voltages under 60VDC.

7.3 Environmental

The USB-COM422-PLUS4 is a lead-free device that complies with the following environmental directives: RoHS, WEEE, REACH, PFOS and DecaBDE.

7.4 Reliability

The USB-COM422-PLUS4 is designed as a robust USB-Serial module for use in many environments. There are no user-serviceable parts. Any failure will require a replacement of the unit.

7.4.1 MTTF

The Mean Time To Failure is calculated at TBD hours.

7.5 Import / Export Information

| Import / Export Information | |
|-----------------------------|--|
| Country of Origin | China |
| Harmonized Code | TBD |
| Product Description | USB to RS422 Development Module, Four COM Port |
| USA ECCN | EAR99 – No License Required |

Table 7.1 - Import / Export Information

8 Troubleshooting

8.1 Hardware

Cables are the most common sources of trouble with external devices.

Check the following:

- USB cable is properly inserted at both ends
- Computer power is ON
- Computer is not in Sleep or Standby
- If a USB Hub is used, be sure it is set for "Self-Powered" operation
- If a USB Hub is used, be sure all cables are properly inserted
- If all the above are OK, the Yellow LED should be lit, indicating the device has been recognized by the USB subsystem.

RS422 cables – check the following:

- Output signals (TXD+, TXD-, RTS+, RTS-) are connected to the respective inputs (RXD+, RXD-, CTS+, CTS-) in each direction.
- Check for specific handshake requirements of your RS422 peripheral.
- If handshake signals are not used, ensure the application is set to "No Hardware Handshake", or equivalent.
- Test the port with a loop-back connector. Connect TXD+ to RXD+, TXD- to RXD-, RTS+ to CTS+ and RTS- to CTS-. Use a simple terminal program to check that data is transmitted and received.

8.2 Device Driver

Ensure the latest device driver is in use. See www.ftdichip.com

If other devices with FTDI chips are installed in the system, check with all manufacturers of these devices for the latest device drivers.

See the FTDI installation guides for additional details: <http://ftdichip.com/Documents/InstallGuides.htm>

Common Windows Device Driver Troubles:

- **DEVICE TIMES OUT:** The default settings of the device driver assume typical data transfers of hundreds to thousands or more bytes at a given time. Some applications, such as a GPS device, only send data in short packets, often only a few bytes. If this is the case, it may be necessary to adjust the driver buffer size and/or latency timer to smaller values. These values can be adjusted through the Advanced driver options as noted in Figure 2.13. The buffer size can be reduced to 64 bytes. The latency timer can be set as low as 2ms. A setting of 1ms will cause unnecessary USB traffic and could adversely affect data transmission.
- **ERRATIC MOUSE POINTER:** The device driver defaults to query an attached device to find out whether it is a mouse or modem, consistent with native COM port operation. Some RS422 peripherals constantly send short packets of data, causing the host system to "think" a mouse or modem has been attached. These short packets will interfere with normal mouse operation causing the pointer to jump around the screen. If this happens, disconnect the RS422 device and *uncheck the Serial Enumerator* option, also found on the Advanced driver options screen in Figure 2.13.
- **COM PORT IN USE:** Windows keeps track of all COM port assignments. If multiple FTDIChip products have been connected to a single system, the COM port number will increase, even if the other devices are not attached. If the higher COM port assignments are not acceptable for the application, known unused COM port numbers should be uninstalled according to the FTDI installation guide: <http://ftdichip.com/Documents/InstallGuides.htm>.

9 Contact Information

Head Office – Glasgow, UK

Future Technology Devices International Limited
Unit 1, 2 Seaward Place, Centurion Business Park
Glasgow G41 1HH
United Kingdom
Tel: +44 (0) 141 429 2777
Fax: +44 (0) 141 429 2758

E-mail (Sales) sales1@ftdichip.com
E-mail (Support) support1@ftdichip.com
E-mail (General Enquiries) admin1@ftdichip.com
Web Site URL <http://www.ftdichip.com>
Web Shop URL <http://www.ftdichip.com>

Branch Office – Taipei, Taiwan

Future Technology Devices International Limited (Taiwan)
2F, No 516, Sec. 1 NeiHu Road
Neihu District
Taipei 114
Taiwan, R.O.C.
Tel: +886 (02) 8797 1330
Fax: +886 (02) 8751 9737

E-mail (Sales) tw.sales1@ftdichip.com
E-mail (Support) tw.support1@ftdichip.com
E-mail (General Enquiries) tw.admin1@ftdichip.com
Web Site URL <http://www.ftdichip.com>

Branch Office – Shanghai, China

Future Technology Devices International Limited (China)
Room 408, 317 Xianxia Road,
ChangNing District,
ShangHai, China
Tel: +86 (21) 62351596
Fax: +86(21) 62351595

E-Mail (Sales): cn.sales@ftdichip.com
E-Mail (Support): cn.support@ftdichip.com
E-Mail (General Enquiries): cn.admin1@ftdichip.com
Web Site URL: <http://www.ftdichip.com>

Branch Office – Hillsboro, Oregon, USA

Future Technology Devices International Limited (USA)
7235 NW Evergreen Parkway, Suite 600
Hillsboro, OR 97123-5803
USA
Tel: +1 (503) 547 0988
Fax: +1 (503) 547 0987

E-Mail (Sales) us.sales@ftdichip.com
E-Mail (Support) us.support@ftdichip.com
E-mail (General Enquiries) us.admin@ftdichip.com
Web Site URL <http://www.ftdichip.com>



Distributor and Sales Representatives

Please visit the Sales Network page of the FTDI Web site for the contact details of our distributor(s) and sales representative(s) in your country.

10 Appendix A - List of Figures and tables

List of Figures:

| | |
|---|----|
| Figure 1.1 USB-COM422-PLUS4..... | 1 |
| Figure 1.2 USB-COM422-PLUS4 Block Diagram | 3 |
| Figure 2.1 - Hardware Ready | 8 |
| Figure 2.2 – Found New Hardware Wizard | 8 |
| Figure 2.3 – Automatic Install..... | 9 |
| Figure 2.4 - Complete Hardware Installation | 9 |
| Figure 2.5 - Hardware Ready | 10 |
| Figure 2.6 - Device Manager | 10 |
| Figure 2.7 - COM Port and USB Device name Assignment..... | 10 |
| Figure 2.8 - COM Port Assignment and Properties..... | 11 |
| Figure 2.9 - Settings Tab..... | 12 |
| Figure 2.10 - Advanced Options..... | 12 |
| Figure 5.1 - USB-COM422-PLUS4 PCB Dimensions | 15 |

List of tables:

| | |
|---|----|
| Table 1.1 – LED Description | 2 |
| Table 1.2 - Performance Figures | 4 |
| Table 1.3 - Ordering Information | 4 |
| Table 2.1 – RS422 DTE to DCE connection with straight-through cable | 7 |
| Table 3.1 – USB "mini B" Receptacle Pin-Out | 13 |
| Table 3.2 – DE-9P RS422 Pin-Out..... | 13 |
| Table 4.1 - USB Electrical Details..... | 14 |
| Table 4.2 – RS422 Electrical Details | 14 |
| Table 6.1 - Storage Temperature | 16 |
| Table 6.2 - Operating Temperature | 16 |
| Table 7.1 - Import / Export Information..... | 18 |

Appendix B - Revision History

Version 1.0 First release

14th September 2009

Mouser Electronics

Authorized Distributor

Click to View Pricing, Inventory, Delivery & Lifecycle Information:

[FTDI:](#)

[USB-COM422-PLUS4](#)