

4

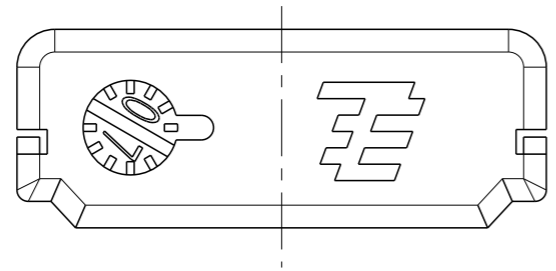
3

2

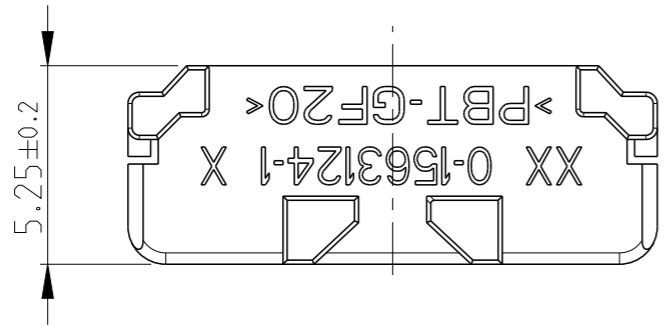
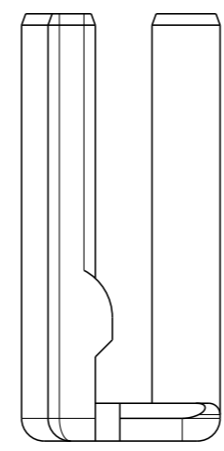
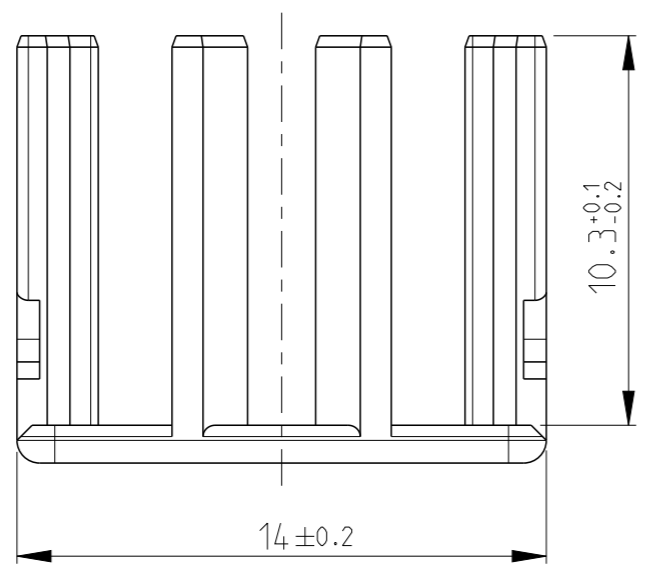
1

THIS DRAWING IS UNPUBLISHED. RELEASED FOR PUBLICATION 2008  
 © COPYRIGHT 2008 BY TYCO ELECTRONICS CORPORATION. ALL RIGHTS RESERVED.

LOC	DIST	REVISIONS					
		P	LTR	DESCRIPTION	DATE	DWN	APVD
A1	-		A	NEW DRAWING	30JAN2008	GP	GM
			A1	ECR-17-010498	19JUL2017	KC	PT



1:1



- NOTES:  
Bemerkungen:
- DELIVERY CONDITION: LOOSE PIECES  
Anlieferungszustand: Teile lose beigelegt
  - MATED WITH TE-PN: 0-1563123-1  
Verwendet mit TE-PN: 0-1563123-1
  - MATED WITH TE-PN: 0-2112415-1  
Verwendet mit TE-PN: 0-2112415-1

<small>THIS DRAWING IS A CONTROLLED DOCUMENT FOR TYCO ELECTRONICS CORPORATION IT IS SUBJECT TO CHANGE AND THE CONTROLLING ENGINEERING ORGANIZATION SHOULD BE CONTACTED FOR THE LATEST REVISION.</small>		DWN G.PUCKEL 30JAN2008	Tyco Electronics AMP GmbH 64625 Bensheim (Germany)				
DIMENSIONS: mm		CHK K.ROTH 30JAN2008					
		APVD G.MUMPER 30JAN2008					
TOLERANCES UNLESS OTHERWISE SPECIFIED: 0 PLC ±0.30 1 PLC ±0.30 2 PLC ±0.30 3 PLC ± 4 PLC ± ANGLES ±°		PRODUCT SPEC -	NAME <b>SECONDARY LOCK</b> <b>FOR 10 POS. MIXED RECEPTACLE HOUSING</b> <b>8 x MCON1.2 AND 2 x MCP2.8</b>				
MATERIAL -		FINISH -	APPLICATION SPEC 114-18923 (A1)	SIZE A3	CAGE CODE 00779	DRAWING NO G-1563124	RESTRICTED TO -
CUSTOMER DRAWING			WEIGHT -	SCALE 5:1	SHEET 1 OF 1	REV A1	