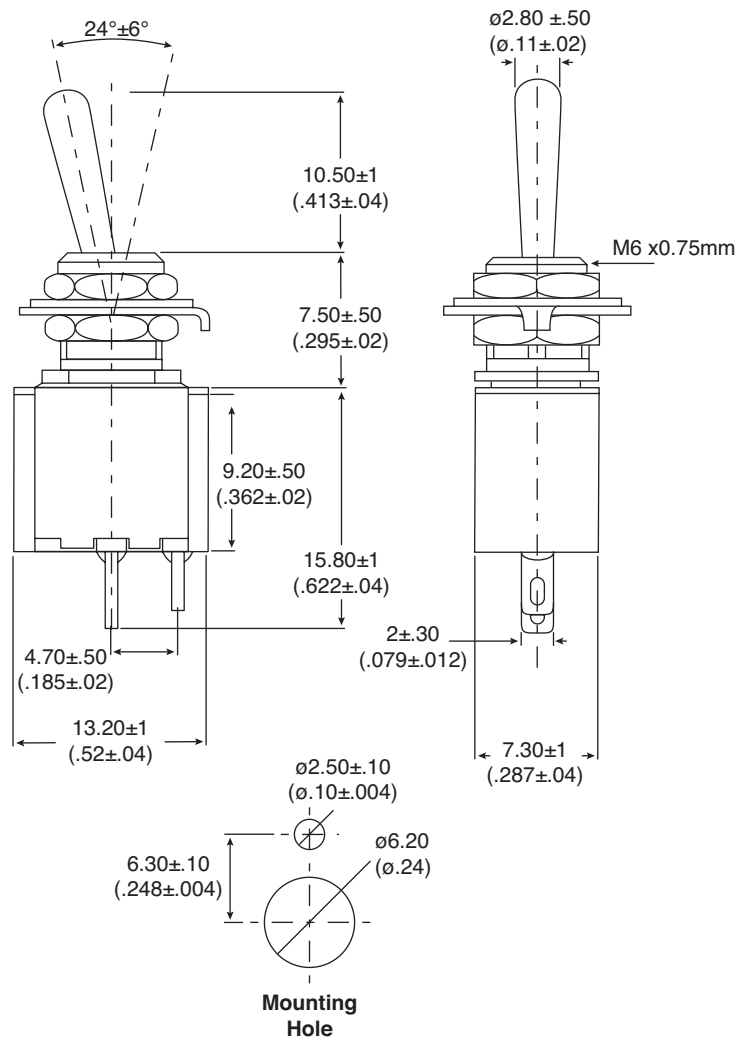


Dimensions: mm (in.)

**Electrical Specifications:**

- Rating: 6A/125VAC, 3A/250VAC
- Contact Resistance: 50m Ω max.
- Insulation Resistance: 100M Ω min. 500VDC
- Dielectric Strength: 1000VAC 1min.

Mechanical Specifications:

- Operating Temperature: -20 $^{\circ}$ C to +65 $^{\circ}$ C
- Circuits: 2P SPST On-Off

Note:

- RoHS compliant by exemption

Miniature Toggle Switch
1055-TA1120B-EVX

Mountain
Switch

Mouser Electronics

Authorized Distributor

Click to View Pricing, Inventory, Delivery & Lifecycle Information:

[Mountain Switch:](#)

[1055-TA1120B-EVX](#)