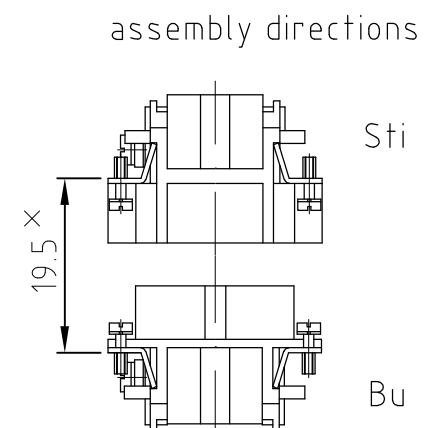
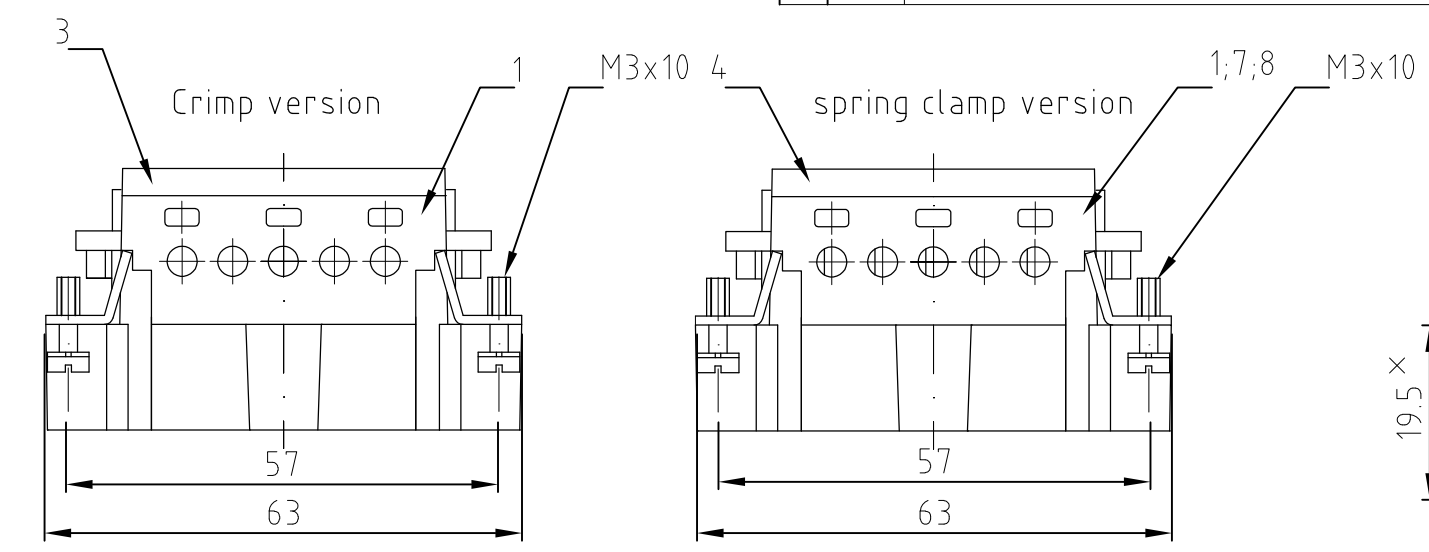
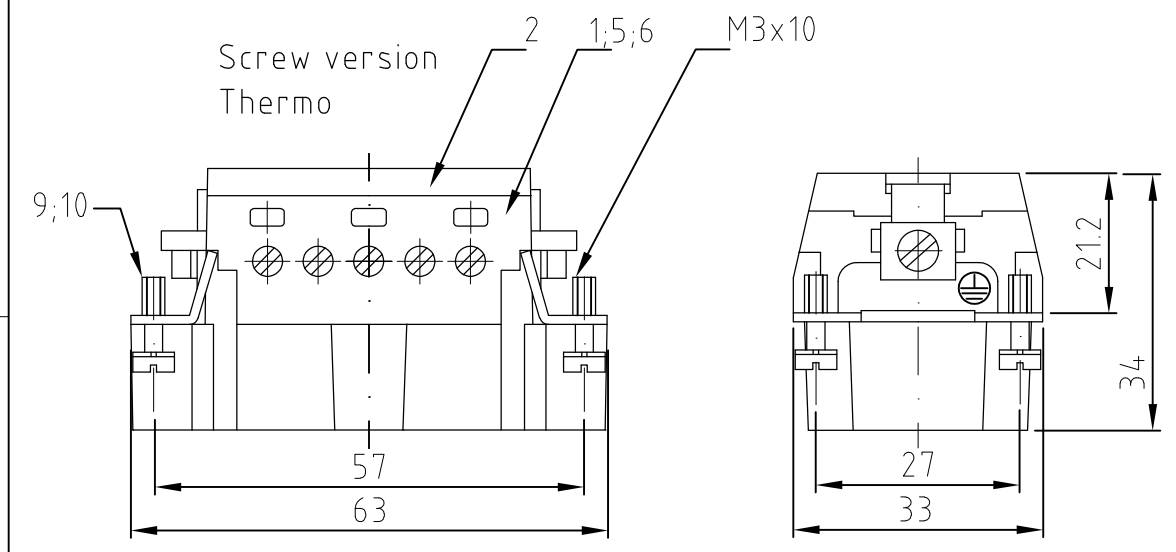


THIS DRAWING IS UNPUBLISHED.
 VERTRAULICHE UNVERÖFFENTLICHTE ZEICHNUNG
 © COPYRIGHT - By -
 RELEASED FOR PUBLICATION
 FREI FUER VERÖFFENTLICHUNG
 ALL RIGHTS RESERVED.
 ALLE RECHTE VORBEHALTEN

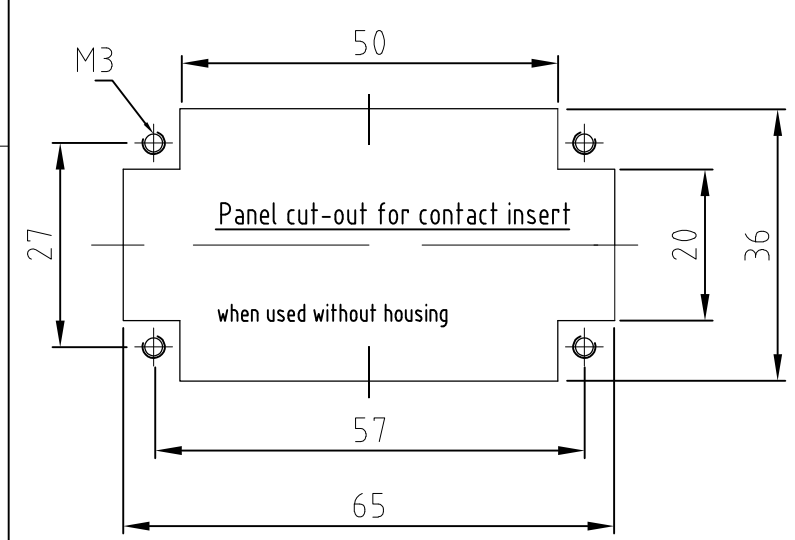
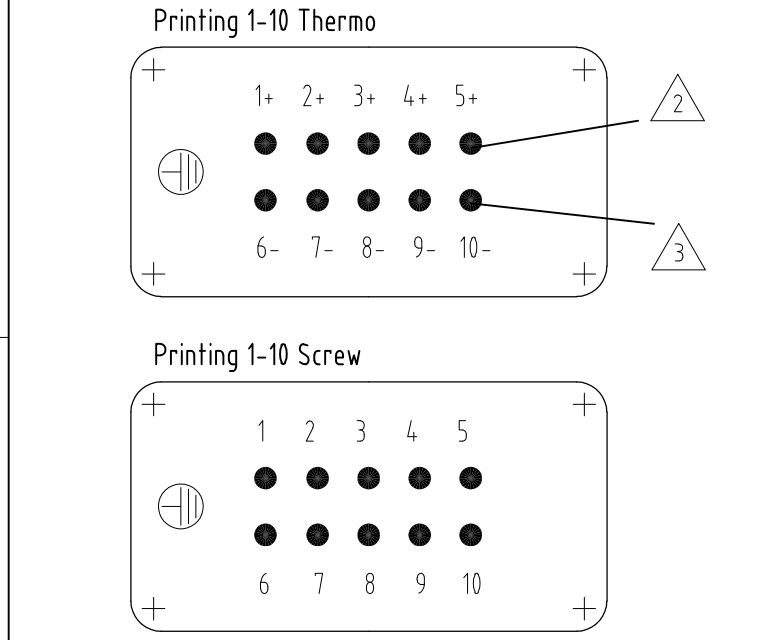
REVISIONS ÄNDERUNGEN		DATE	DWN	APVD
P	LTR	DESCRIPTION BESCHREIBUNG		
	A7	AS PER ECR-16-009336	07DEC2016	GCM MKO



view from termination side

OBSOLETE	OBSOLETE	OBSOLETE	OBSOLETE	OBSOLETE	OBSOLETE	OBSOLETE	OBSOLETE							
		4							fixing screw	stainless steel	even		10	M3x10
4	4		4	4	4	4	4		fixing screw	steel	nickel plated	blue	9	M3x10
10									contact spring clamp	brass	gold plated		8	
							10		contact pin	brass	silver plated		7	
								10	contact screw termination	brass	gold plated		6	
	10	10						10	contact screw termination	brass	silver plated		5	
1							1		cover spring version			light grey	4	
							1		cover crimp version			light grey	3	
	1	1	1				1	1	cover screw version			light grey	2	
1	1	1	1	1	1	1	1	1	pin insert			light grey	1	

- NOTES:
- 1 SUITABLE CRIMP CONTACTS: SERIES HE/HA
OUTER DIMENSIONS OF INSULATION: MAX. Ø3,2 MM
 - SUITABLE HOOD SIZE 4: SERIES HB, HD, HIP, EMV
SUITABLE INSERTION AND EXTRACTION TOOL:
SCREWDRIVER 0,5x3 DIN 5264
 - Strip length: Screw conection 10mm
Spring clamp conection 10mm Crimp conection 7.5mm
 - STANDARDS:
DIN EN 61984; DIN EN 60664-1
 - PACKAGING:
5 SETS IN A CARTON, PRE-MOUNTED
 - SPECIAL PACKAGING: Krauss-Maffei
PACKAGING UNIT: 250 PIECES



ORDERING TEXT / BESTELL TEXT	DESCRIPTION / BENENNUNG	MATERIAL	SURFACE	COLOR	ITEM NO. POS.	NOTES
HE.10.Sti.SC-AU	fixing screw	stainless steel	even		10	M3x10
HE.10.Sti.S.KM	fixing screw	steel	nickel plated	blue	9	M3x10
HE.10.Sti.S.VA	contact spring clamp	brass	gold plated		8	
HE.10.Sti.S-AU	contact pin	brass	silver plated		7	
HE.10.Sti.SC	contact screw termination	brass	gold plated		6	
HE.10.Sti.C	contact screw termination	brass	silver plated		5	
HE.10.Sti.S-T	cover spring version			light grey	4	
HE.10.Sti.S	cover crimp version			light grey	3	
	cover screw version			light grey	2	
	pin insert			light grey	1	

THIS DRAWING IS A CONTROLLED DOCUMENT.
 DIESE ZEICHNUNG IST EIN KONTROLLIERTES DOKUMENT.

DIMENSIONS: MASSE/NEHMEN: mm
 TOLERANCES UNLESS OTHERWISE SPECIFIED: ALLGEMEINTOLERANZEN

0 PLC	±	p. 150 8015 p. 150 2768 - 100 DIN 16901 - 100
1 PLC	±	
2 PLC	±	
3 PLC	±	
4 PLC	±	
ANGLES / WINKEL	±	

MATERIAL: -
 FINISH/OBERFLAECHE/FARBE: -

ORDERING TEXT / BESTELL TEXT: CUSTOMER DRAWING/KUNDENZEICHNUNG

DWN Gräf 10.02.1999
 CHK Schweiger 18.02.1999
 APVD - NAME

PRODUCT SPEC PRODUKTSPEZ.
 APPLICATION SPEC VERARBEITUNGSSPEZ.

Male insert
 HE.10.STI.S/C

SIZE: A3 CAGE CODE: 00779 DRAWING NO: G-1103636
 RESTRICTED TO NUR FUER

SCALE: 1:1 SHEET: 1 OF 1 REV: A7

Mouser Electronics

Authorized Distributor

Click to View Pricing, Inventory, Delivery & Lifecycle Information:

[TE Connectivity:](#)

[1-1103636-1](#)