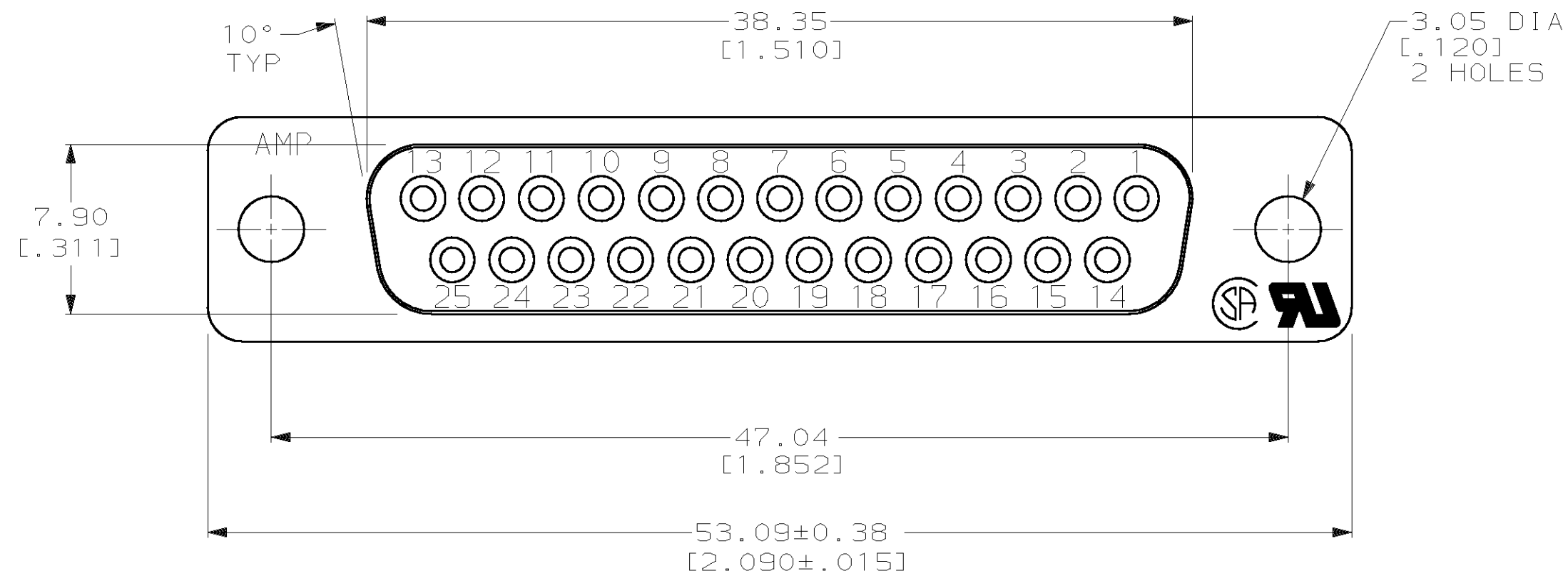
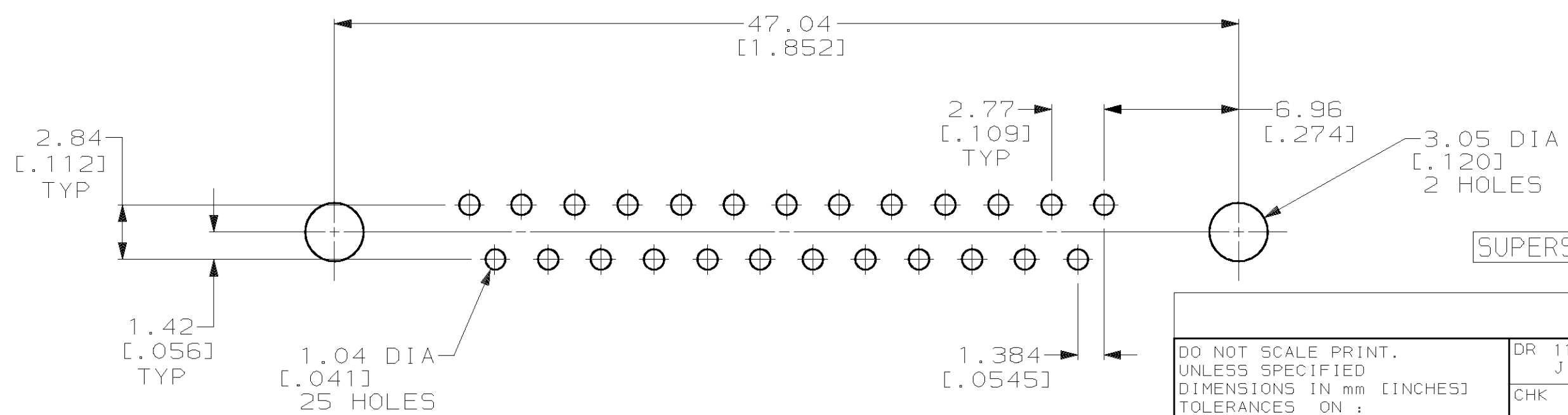
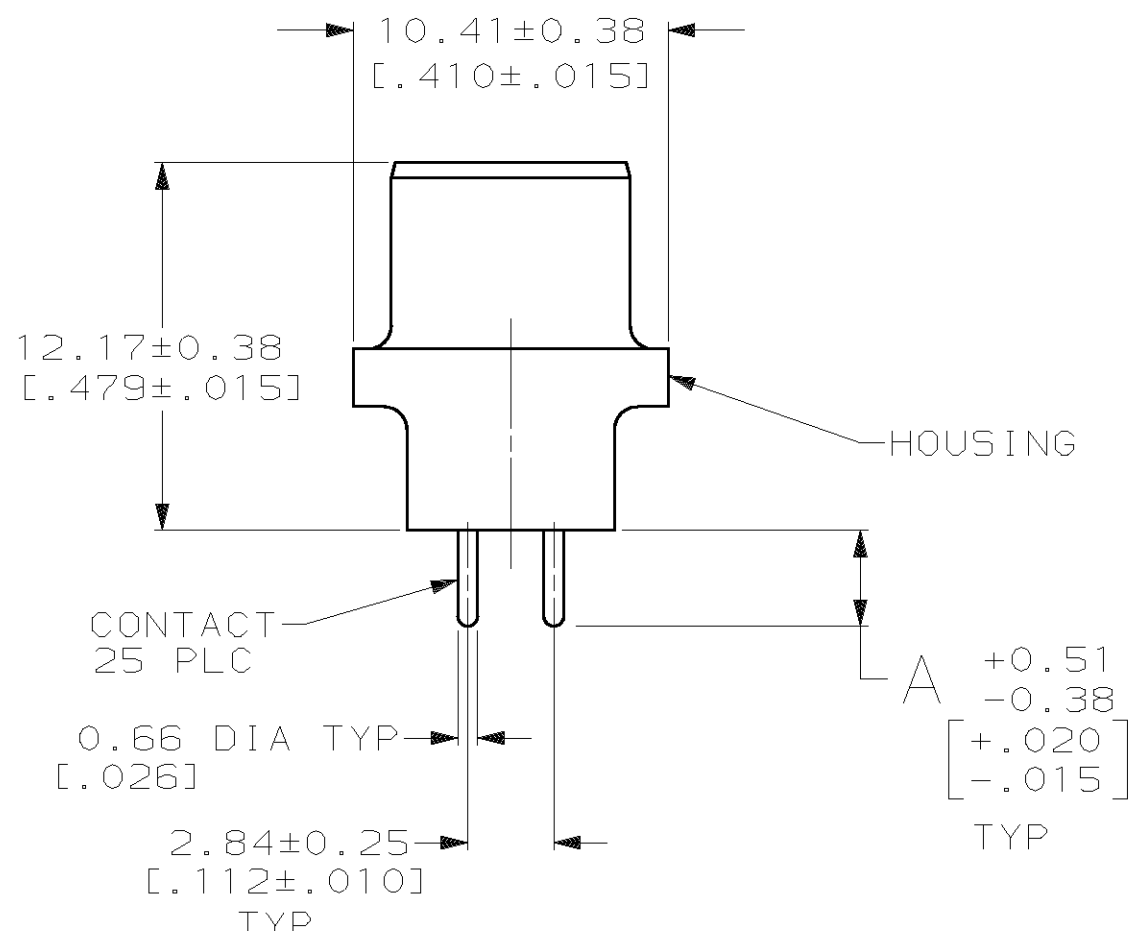
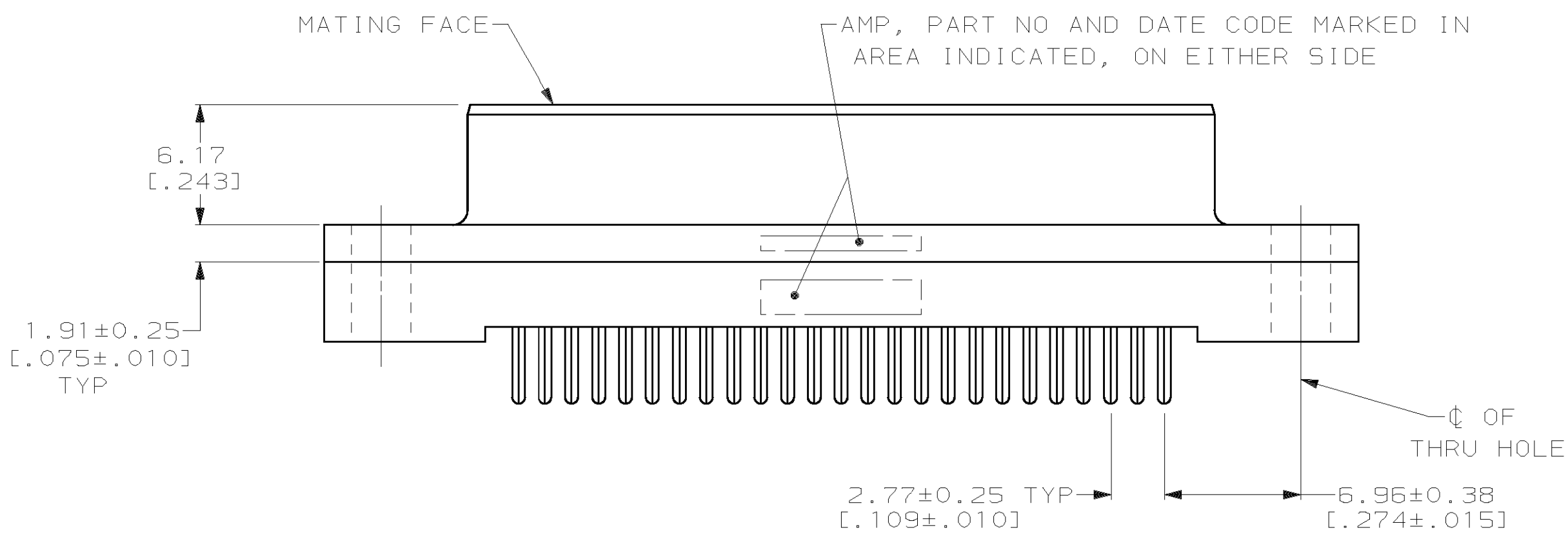


THIS DRAWING IS UNPUBLISHED. RELEASED FOR PUBLICATION .19 .
 © COPYRIGHT 19 BY AMP INCORPORATED. ALL INTERNATIONAL RIGHTS RESERVED.

LOC		DIST		P		F		REVISIONS		DATE	APPD
ZONE	LTR	DESCRIPTION		DATE	APPD						
GP	00					H	REVISED PER EC 0513-0017-03	12MAY03	JG		



- ① HOUSING: BLACK POLYESTER, UL 94V-0 RATED; CONTACTS: PHOSPHOR BRONZE PER QQ-B-750.
- ② GOLD PLATING PER MIL-G-45204, TIN PLATING PER MIL-T-10727, NICKEL PLATING PER QQ-N-290.
- ③ GOLD FLASH FOR A LENGTH OF 3.81 [.150] MIN FROM MATING END, 2.54µm [.000100] MIN TIN OR TIN-LEAD FOR A LENGTH OF DIMENSION A FROM OPPOSITE END, ALL OVER 1.27µm [.000050] MIN NICKEL.
- ④ 0.76µm [.000030] MIN GOLD FOR A LENGTH OF 3.81 [.150] MIN FROM MATING END, 2.54µm [.000100] MIN TIN OR TIN-LEAD FOR A LENGTH OF DIMENSION A FROM OPPOSITE END, ALL OVER 1.27µm [.000050] MIN NICKEL.



	A	CONTACT FINISH	PART NO
OBSOLETE	6.35 [.250]	④	207828-8
OBSOLETE	6.35 [.250]	③	207828-7
OBSOLETE	4.32 [.170]	④	207828-6
OBSOLETE	4.32 [.170]	③	207828-5
	3.18 [.125]	④	207828-4
	3.18 [.125]	③	207828-3
SUPERSEDED BY 207828-6	3.56 [.140]	④	207828-2
OBSOLETE	3.56 [.140]	③	207828-1

DO NOT SCALE PRINT. UNLESS SPECIFIED DIMENSIONS IN mm [INCHES] TOLERANCES ON : 2 PLC DEC ± 0.13 [.005] 3 PLC DEC ± - ANGLES ± 2°		DR 11-16-89 J McCLINTON	
MATERIAL		CHK 2-2-90 R.STONE	
FINISH ②		APPD 2-2-90 S.SCHEFFERLY	
CONTACT: SEE TABLE		APPD 2-2-90 C.ROHDE	
		PRODUCT SPEC 108-40025	
		APPLICATION SPEC -	
		WEIGHT -	
AMP INCORPORATED Harrisburg, Pa. 17105		NAME RECEPTACLE ASSEMBLY, SIZE 3, 25 POSN, VERTICAL, AMPLIMITE® HD-20	
SIZE C		CAGE CODE 00779	
SCALE 4:1		DRAWING NO 207828	
		SHEET 1 OF 1	

Mouser Electronics

Authorized Distributor

Click to View Pricing, Inventory, Delivery & Lifecycle Information:

[TE Connectivity:](#)

[207828-4](#)