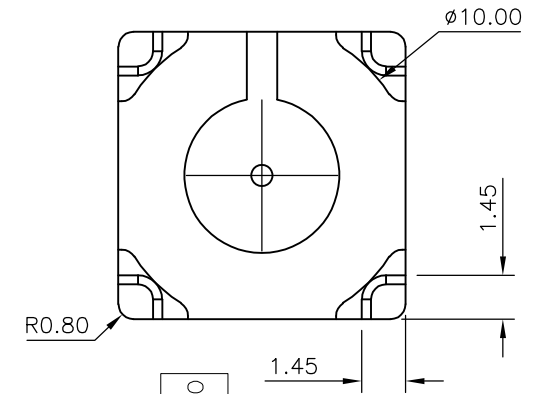
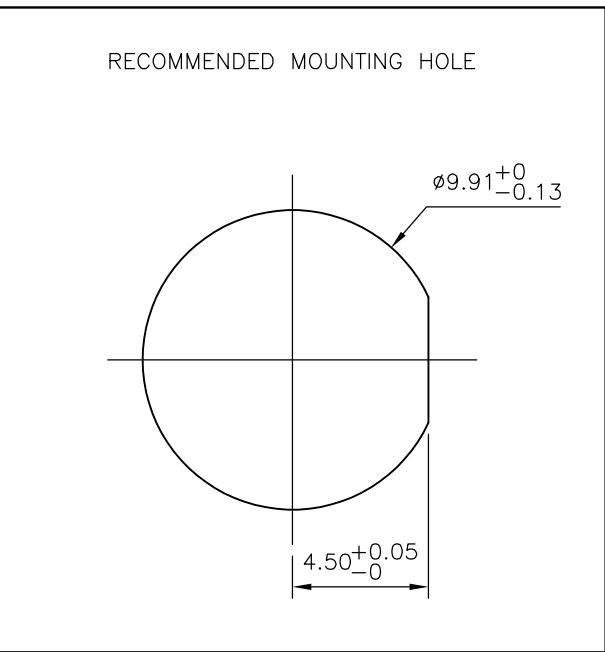
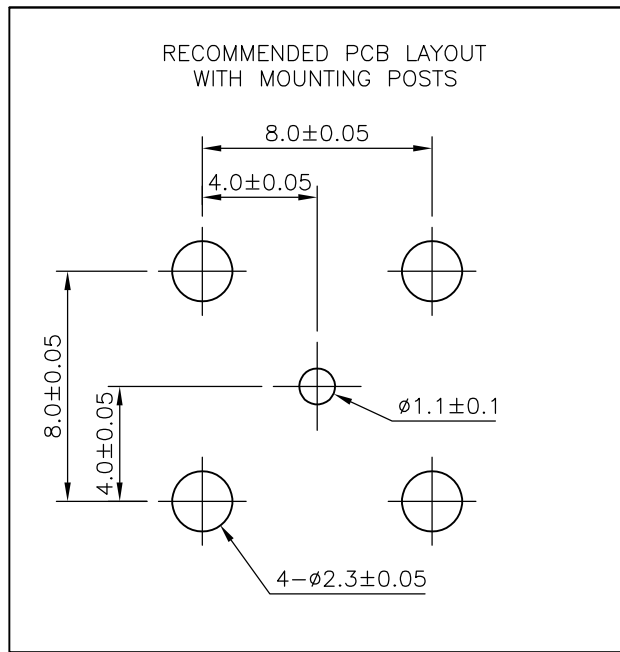
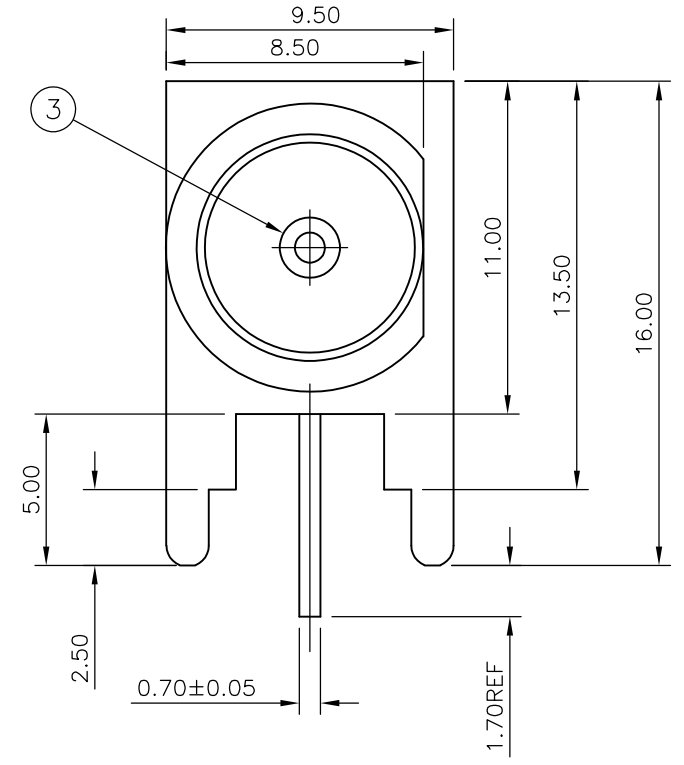
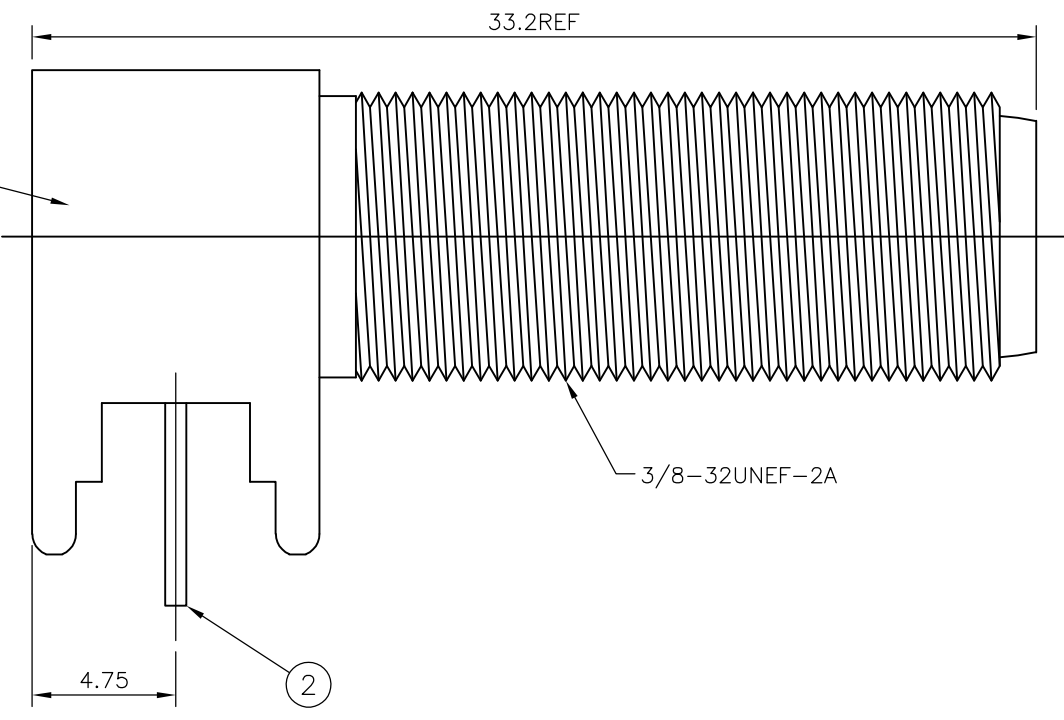


THIS DRAWING IS UNPUBLISHED. RELEASED FOR PUBLICATION SEP, 2004.
 © COPYRIGHT 2004 By - ALL RIGHTS RESERVED.

LOC	DIST	REVISIONS			
P	LTR	DESCRIPTION	DATE	DWN	APVD
E	B	D1	REVISED PER ECO-11-005033	01APR11	RK HMR
E		E	REVISED PER ECO-11-021675	02NOV11	TITAN MARTIN

NOTES

- 1 100 TRAY PACK IN ACCORDANCE WITH AMP SPEC 107-3275
- 2 SINGLE PACK IN ACCORDANCE WITH AMP SPEC 107-3275
- 3 1.27um TIN PLATING OVER 0.76um Cu PLATING
- 4 1.27um Ni PLATING OVER 0.76um Cu PLATING
- 5 FOR TECHNICAL DATA REFER TO YOUR LOCAL TE CONNECTIVITY SALES OFFICE
- 6 ALL DIMENSIONS ARE NOMINAL FOR REFERENCE ONLY UNLESS OTHERWISE STATED



QUANTITY PER ASSY		PARTS LIST		
1	1	TPX	INSULATOR	3
1	1	PHOS BRONZE	CONTACT	2
1	1	ZINC ALLOY	BODY	1
5--1	5--0	MATERIAL	DESCRIPTION	ITEM

THIS DRAWING IS A CONTROLLED DOCUMENT.

DWN ANSON MA 14FEB09	 TE Connectivity	NAME		
CHK RITA ZUO 14FEB09		F SERIES CONNECTOR ELBOW JACK PCB EXTENDED		
APVD BOB ZHAO 14FEB09		SIZE	CAGE CODE	DRAWING NO
PRODUCT SPEC 108-112000		A3	00779	C-1634552
MATERIAL SEE TABLE	FINISH SEE TABLE	RESTRICTED TO		
CUSTOMER DRAWING		SCALE NTS	SHEET 1 OF 1	

Mouser Electronics

Authorized Distributor

Click to View Pricing, Inventory, Delivery & Lifecycle Information:

[TE Connectivity:](#)

[5-1634552-1](#)