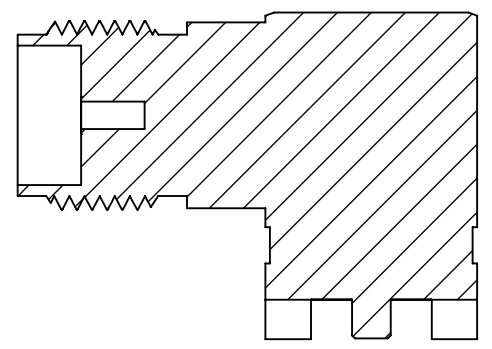
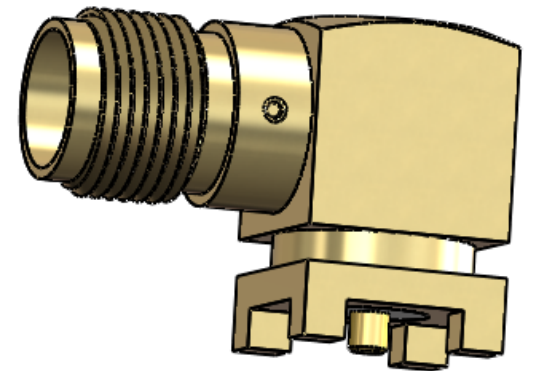
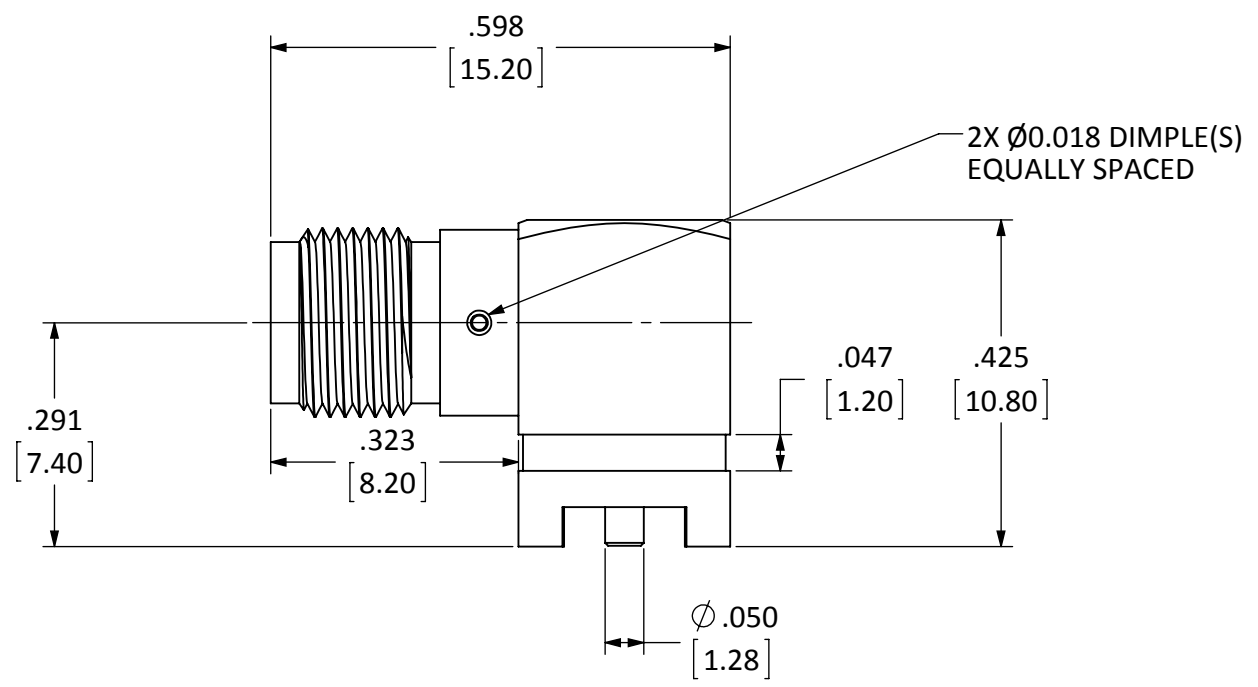
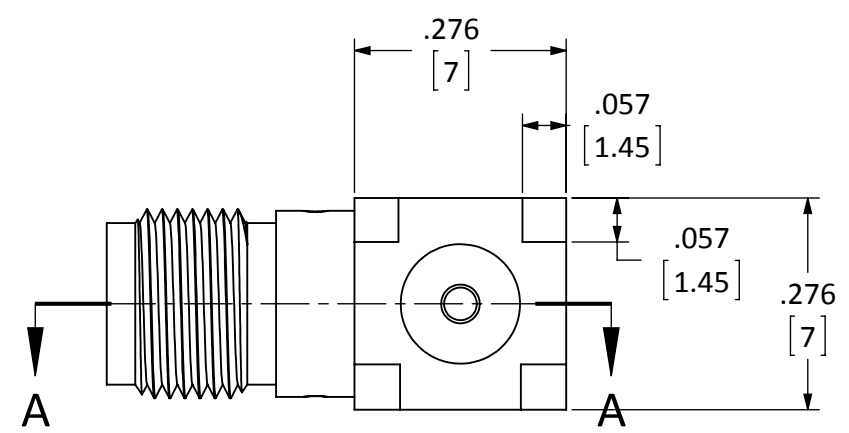


REVISIONS			
REV	DESCRIPTION	DATE	APPV
A	INITIAL RELEASE OF LINX SOLID MODEL	11-JUN-13	SAH



SECTION A-A



- NOTES: (UNLESS OTHERWISE SPECIFIED)
1. ALL DIMENSIONS ARE IN INCHES [mm].
 2. DIMENSIONS APPLY AFTER FINISHING.
 3. MANUFACTURE TO BE COMPLIANT WITH EU RoHS DIRECTIVE.

WARNING: THIS DRAWING CONTAINS PROPRIETARY INFORMATION THAT IS THE SOLE PROPERTY OF LINX TECHNOLOGIES, AND SHALL BE TREATED AS SUCH. NO DISCLOSURE OR REPRODUCTION OF THIS DOCUMENT IS PERMITTED, IN WHOLE OR IN PART, WITHOUT THE EXPRESS WRITTEN PERMISSION OF LINX TECHNOLOGIES OR ITS DESIGNATED AGENTS.		Linx 159 ORT LANE MERLIN, OR 97532	
MATERIAL: INTERPRET DIMENSIONS AND TOLERANCES PER ASME Y14.5.		PROJECTION:	
FINISH: SURFACE FINISH: $\sqrt{}$ ANGLES: $\pm 1^\circ$		TITLE: SOLID MODEL, APPROVED FOR CUSTOMER USE	
TOLERANCES: .X $\pm .1$.XX $\pm .01$.XXX $\pm .005$		SIZE: B	DWG. NO.: SMS-CON SMA002-SMD-G
DRAWN: B.MURPHY		DT: 3-APR-13	REV: A
ENGR: S.HOGAN		DT: 11-JUN-13	SCALE: 4:1
		DO NOT SCALE DRAWING	SHEET 1 OF 1

Mouser Electronics

Authorized Distributor

Click to View Pricing, Inventory, Delivery & Lifecycle Information:

[Linx Technologies:](#)

[CONSMA002-SMD-G](#)