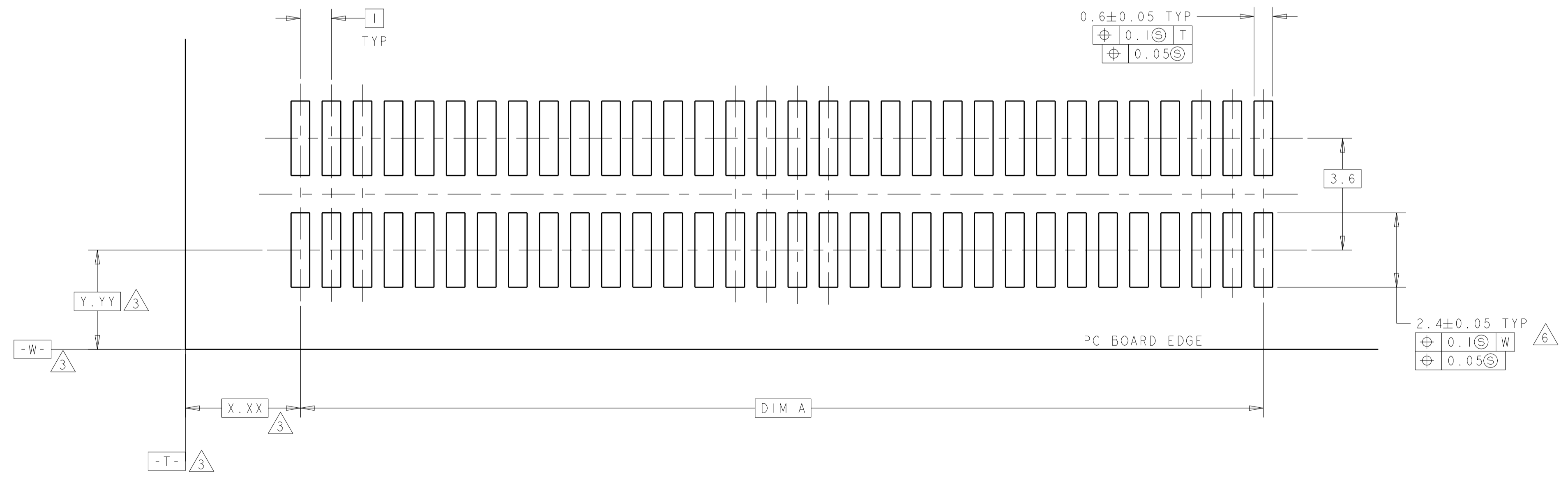
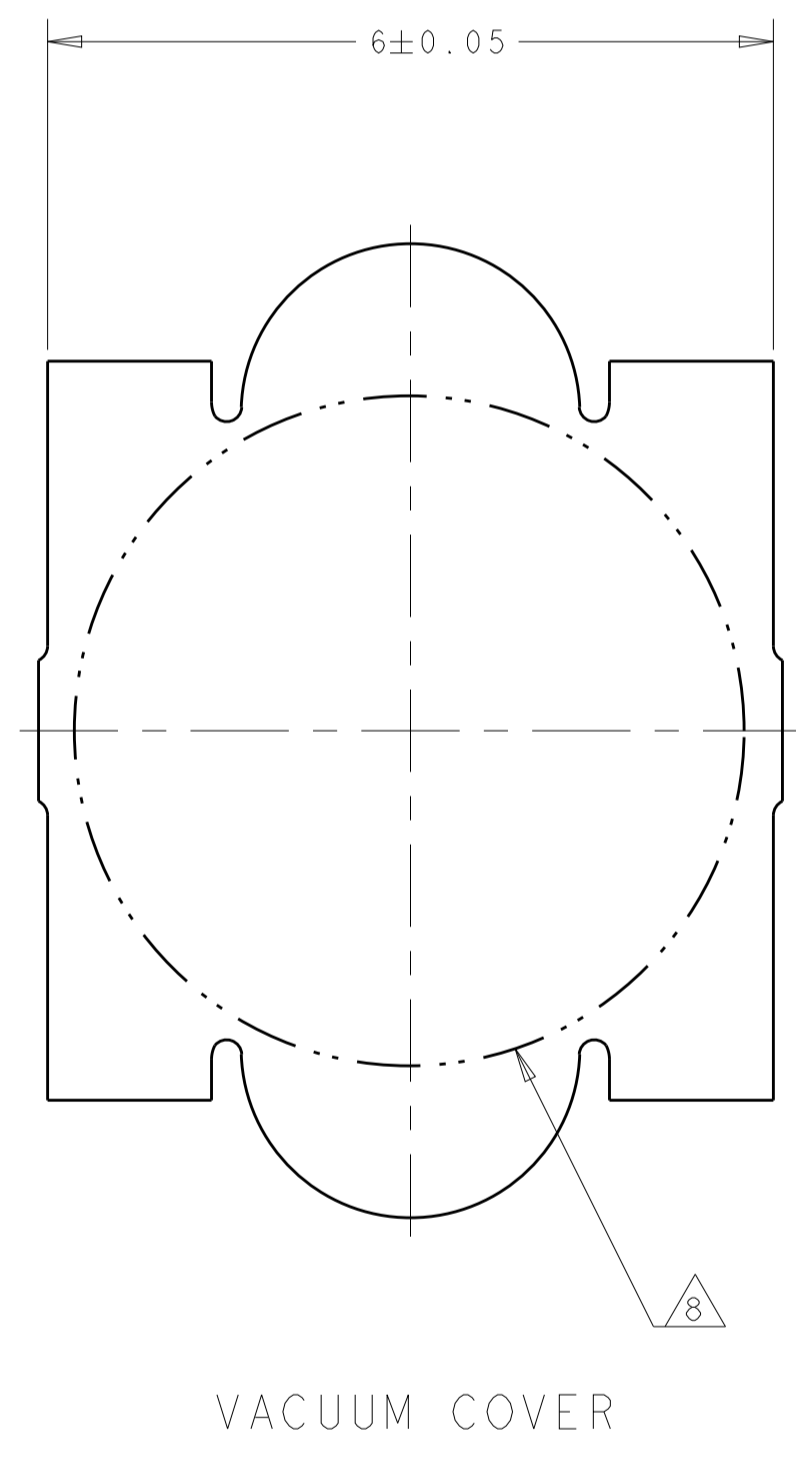
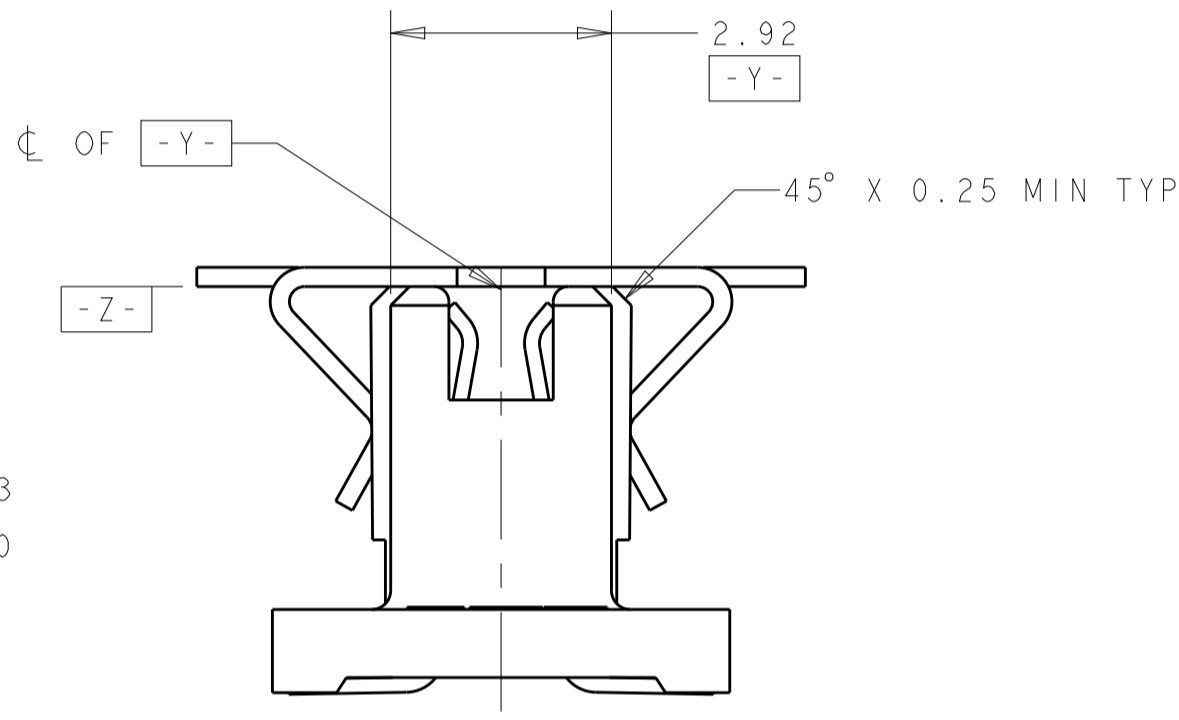
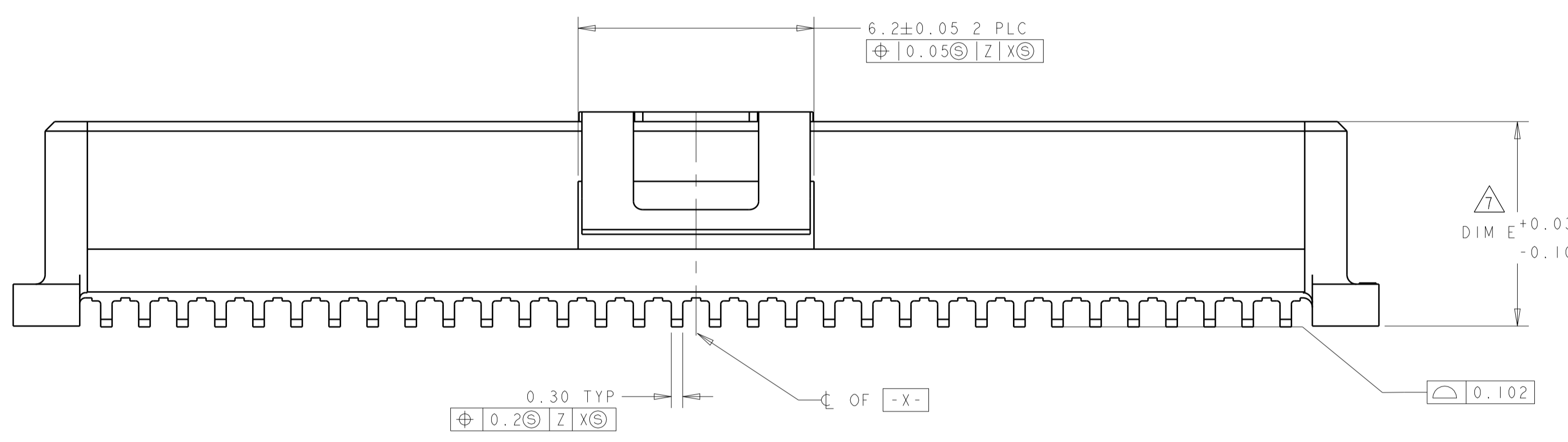
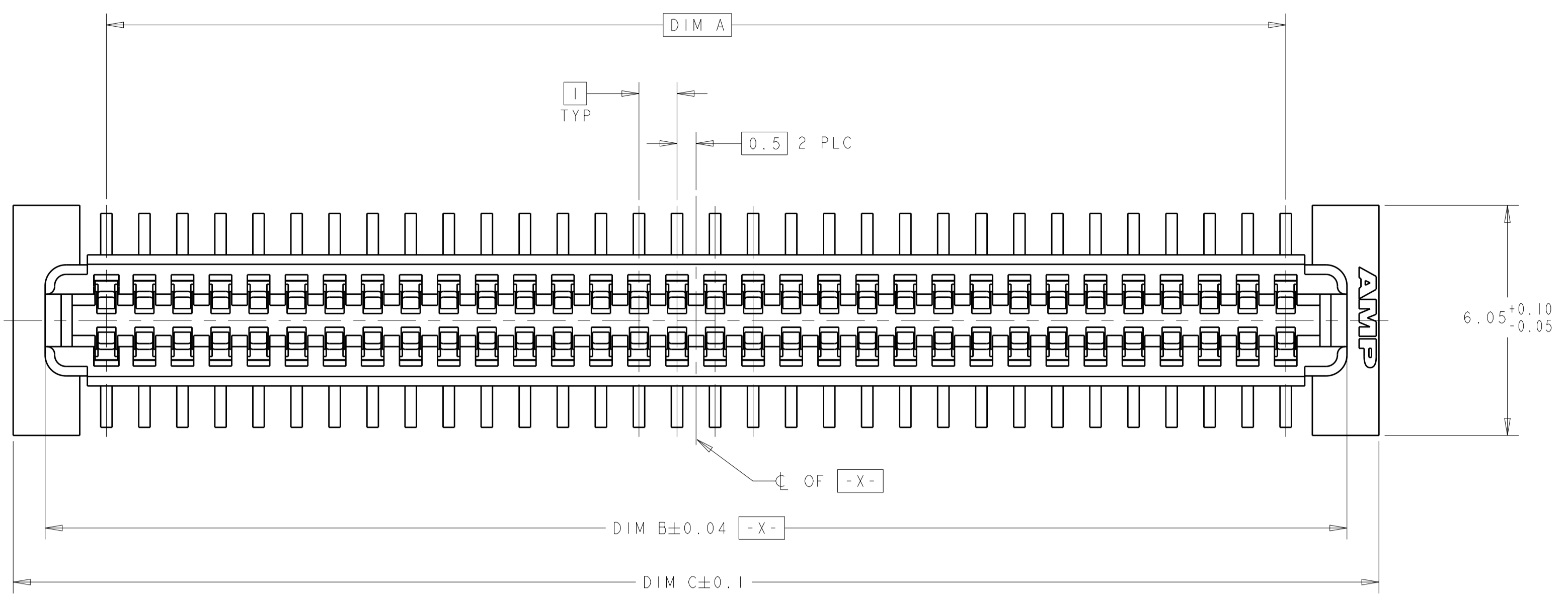


REVISIONS				
P.	LTN.	DESCRIPTION	DATE	DMN. APVD.
B	REV PER ECR-14-016951		11FEB2015	J. T. W. H.



RECOMMENDED PC BOARD LAYOUT

- 1 HOUSING MATERIAL: POLYPHTHALAMIDE. COLOR: BLACK  
CONTACT MATERIAL: PHOSPHOR BRONZE
- 2 CONTACT FINISH: 0.002 MINIMUM BRIGHT TIN-LEAD (93-7)  
ON SOLDER AREA, 0.00127 MINIMUM GOLD ON MATING AREA,  
BOTH OVER 0.00127 MINIMUM NICKEL ON ENTIRE CONTACT.
- 3 DATUM LOCATIONS AND BASIC DIMENSIONS TO BE ESTABLISHED BY THE  
CUSTOMER. CONSULT AMP ENGINEERING WHEN PLACING MULTIPLE  
CONNECTORS ON A PC BOARD.
- 4. PACKAGED IN TAPE ON REEL PER EIA-481.
- 5. VACUUM COVER DESIGNED FOR 4mm DIA. NOZZLE. COVER TO BE REMOVED  
AFTER SOLDERING. COVER OMITTED FROM SOME VIEWS FOR DIMENSIONAL  
CLARITY.
- 6 SHORTER SOLDER LANDS MAY BE USED PER EIA 700AAAB, HOWEVER 2.4  
LENGTH ASSURES OPTIMUM SOLDER FILLET REGARDLESS OF  
MANUFACTURER OF CONNECTOR.
- 7 REFERRED TO AS DIM H IN EIA 700AAAB SPECIFICATION.
- 8 5.5 MIN DIA TARGET AREA FOR VACUUM PICK-UP.
- 9 SEE CATALOG FOR OTHER MATING CONNECTOR OPTIONS.

FINISH	DIM E	DIM C	DIM B	DIM A	MATING CONNECTOR	STACK HGTS	POS	TE PART NO
2	10.37	35.9	34.22	31	1-120534-1	15	64	2007009-5
2	10.37	35.9	34.22	31	1-120533-1	14	64	2007009-5
2	8.37	35.9	34.22	31	1-120534-1	13	64	2007009-4
2	7.37	35.9	34.22	31	1-120534-1	12	64	2007009-3
2	7.37	35.9	34.22	31	1-120533-1	11	64	2007009-3
2	5.37	45.9	44.22	41	1-120534-2	10	84	2007009-2
2	5.37	45.9	44.22	41	1-120533-2	9	84	2007009-2
2	5.37	45.9	44.22	41	1-120532-2	8	84	2007009-2
2	5.37	35.9	34.22	31	1-120534-1	10	64	2007009-1
2	5.37	35.9	34.22	31	1-120533-1	9	64	2007009-1
2	5.37	35.9	34.22	31	1-120532-1	8	64	2007009-1

THIS DRAWING IS A CONTROLLED DOCUMENT.

DMN: B. CARBO 04APR2007  
CHK: D. BRATINA 04APR2007  
APVD: D. BRATINA 04APR2007

DIMENSIONS: mm  
TOLERANCES UNLESS OTHERWISE SPECIFIED:  
0 PLC ±  
1 PLC ±0.03  
2 PLC ±0.03  
3 PLC ±0.03  
4 PLC ±  
ANGLES ±40°30'

MATERIAL: SEE TABLE

PRODUCT SPEC: 502-1079  
APPLICATION SPEC: 114-25045  
WEIGHT: -  
CUSTOMER DRAWING

NAME: RCPT ASSY, W/COVER, 1.0mmFH (IEEE1386) CONNECTOR  
SIZE: A1  
SCALE: 10:1

TE Connectivity

RESTRICTED TO: REV B

# Mouser Electronics

Authorized Distributor

Click to View Pricing, Inventory, Delivery & Lifecycle Information:

[TE Connectivity:](#)

[2007009-1](#)