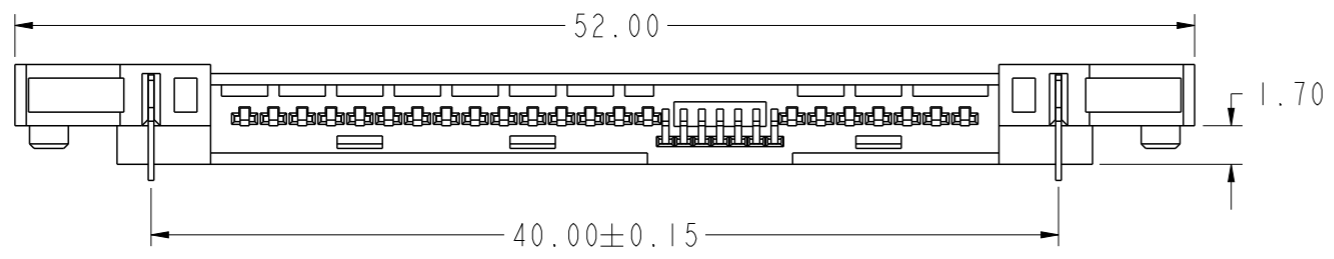
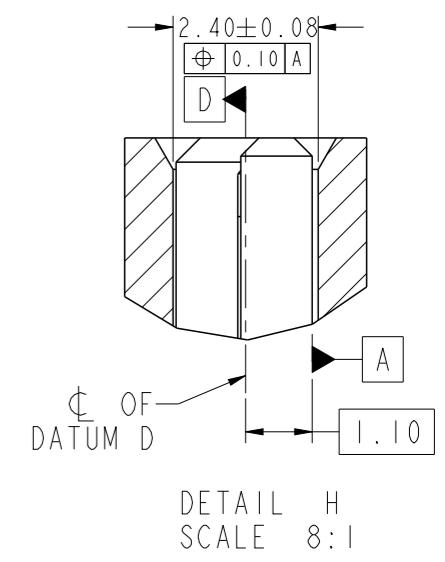
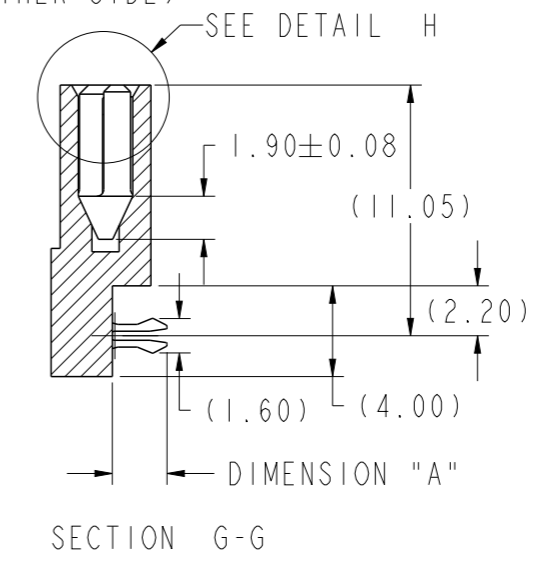
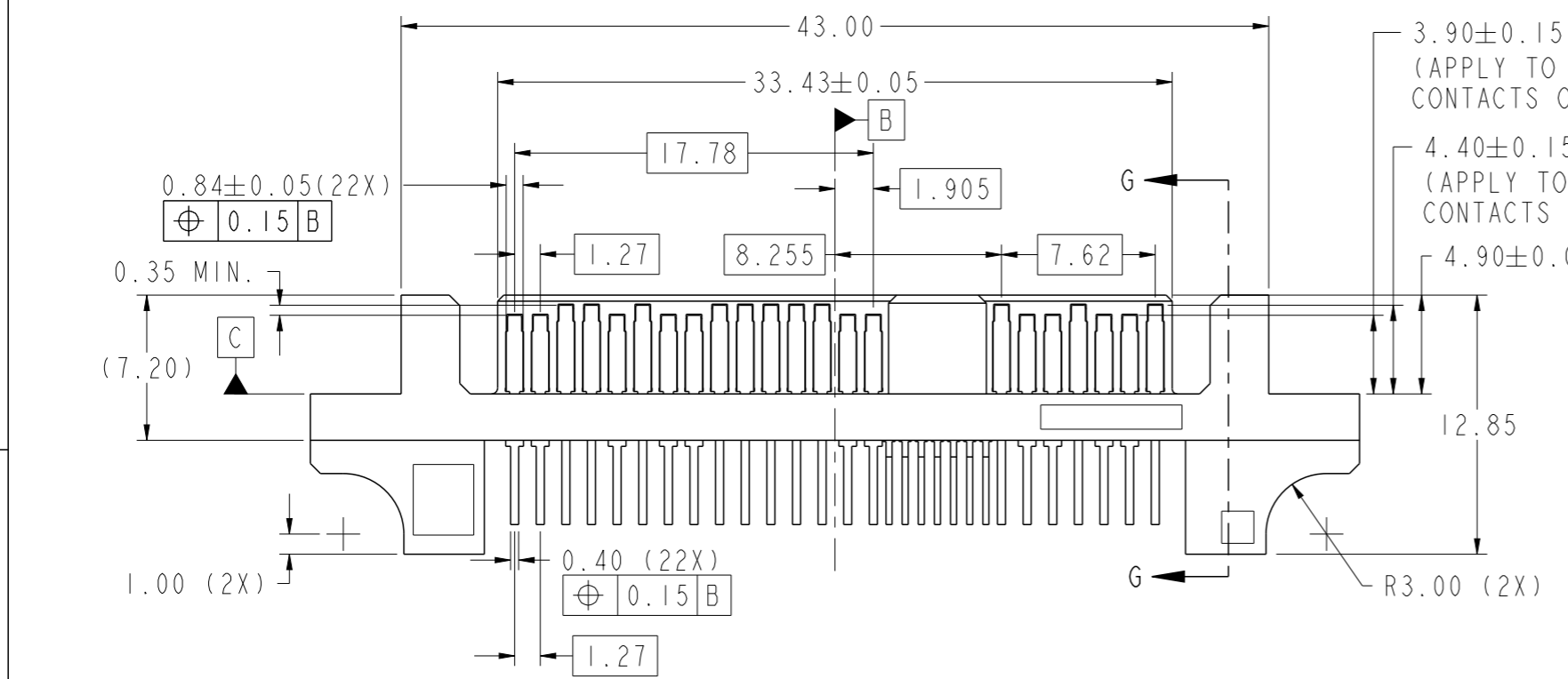
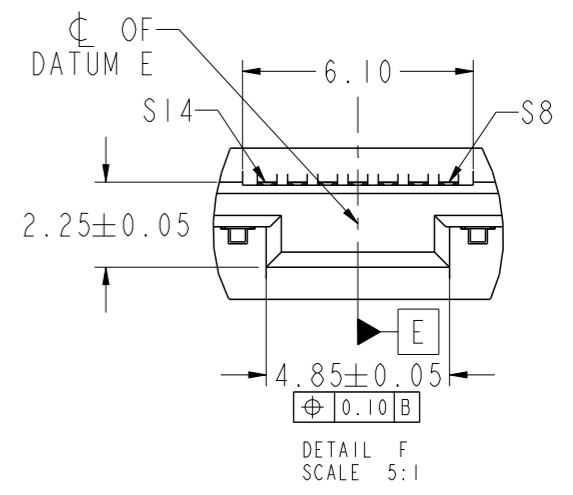
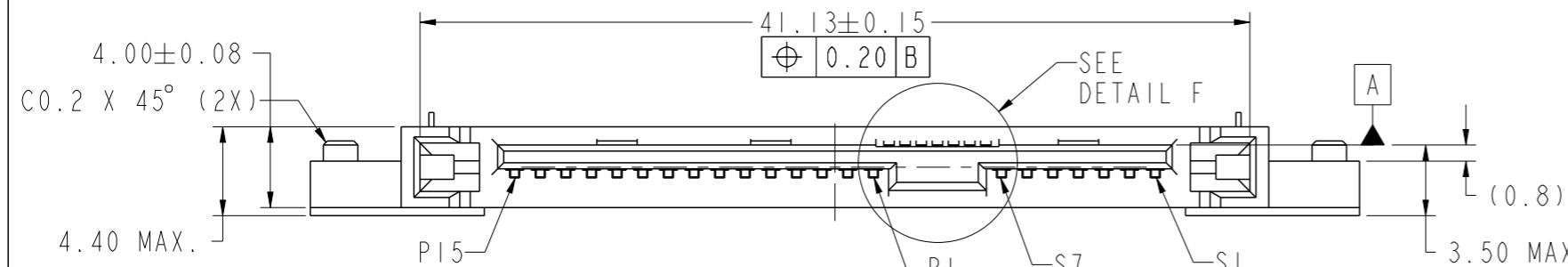


PRODUCT NO.
 10034524-001LF
 10034524-001C-TRLF
 10034524-002LF
 10034524-003C-TRLF
 10034524-004C-TRLF
 10034524-013TRLF

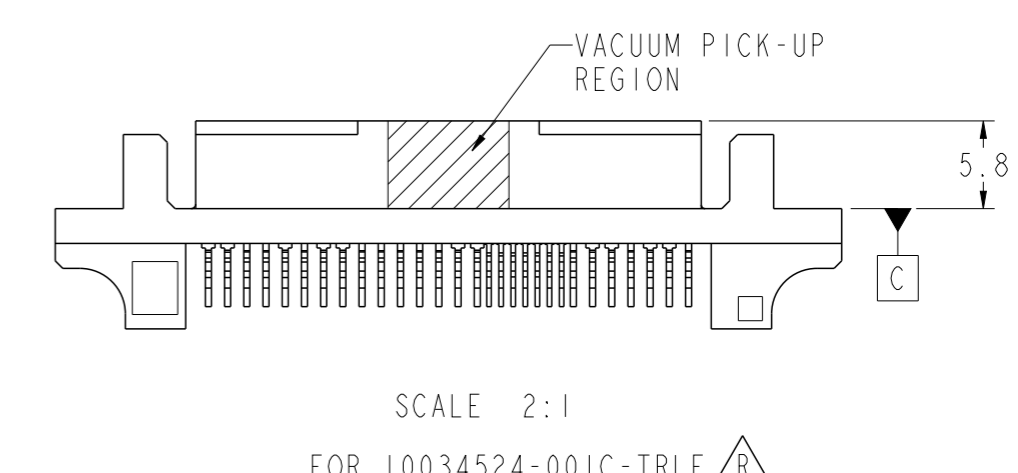
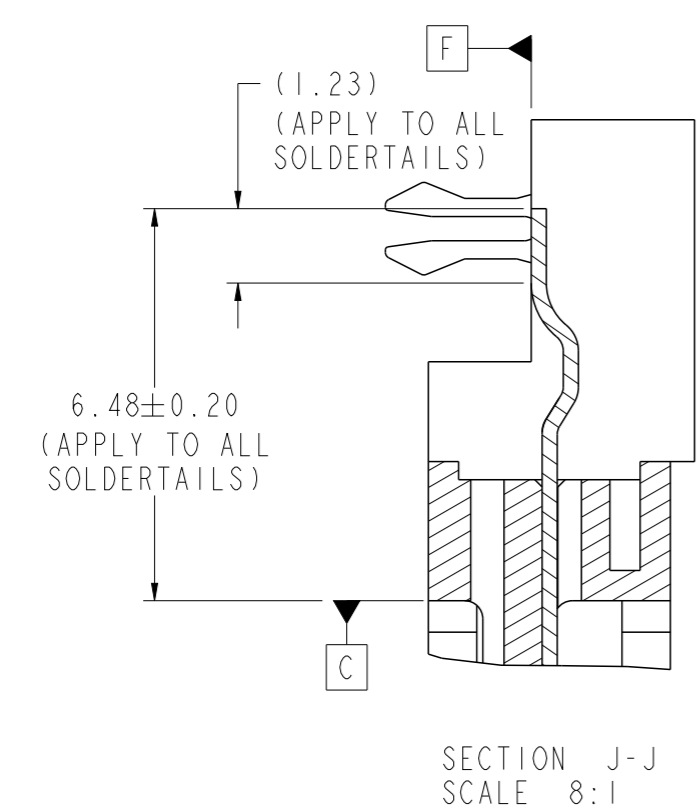
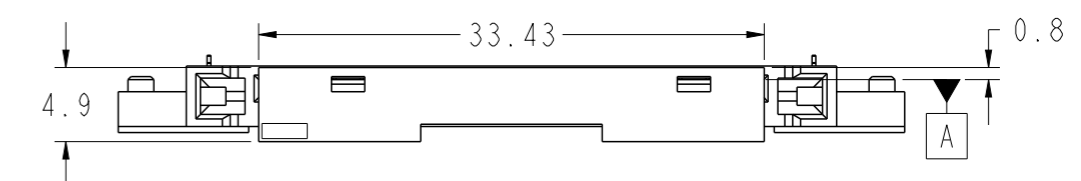
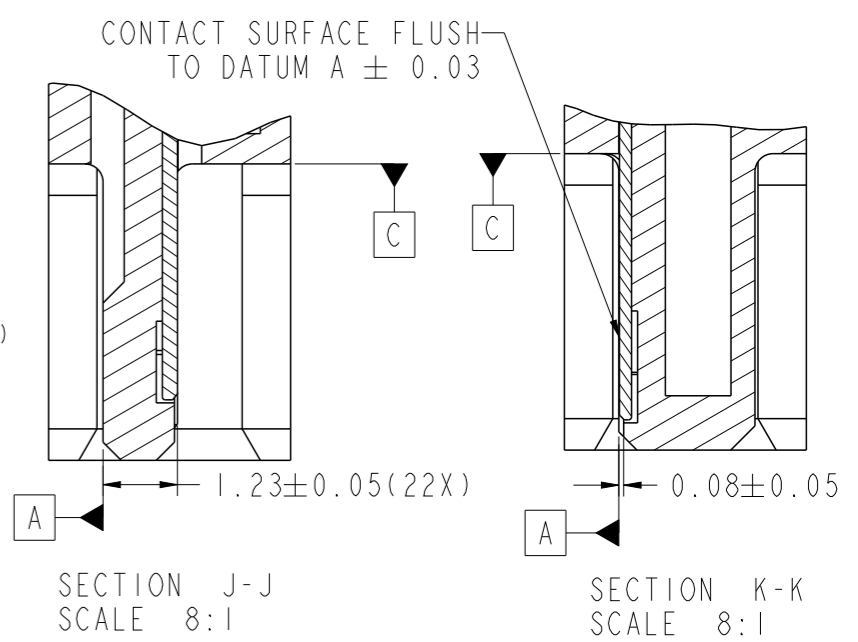
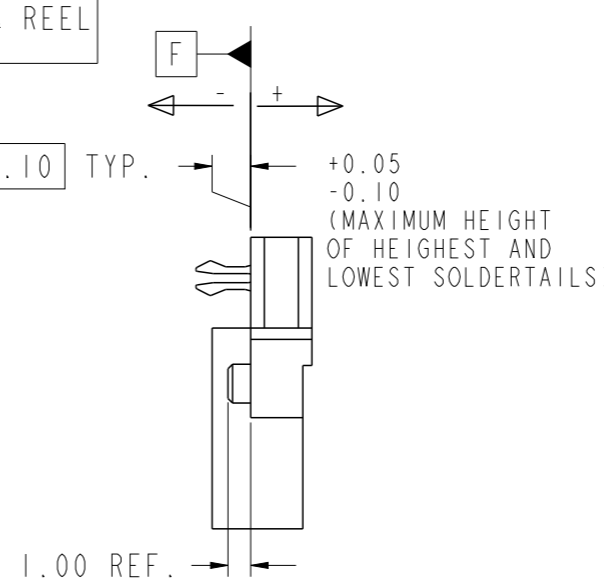
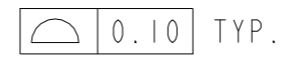
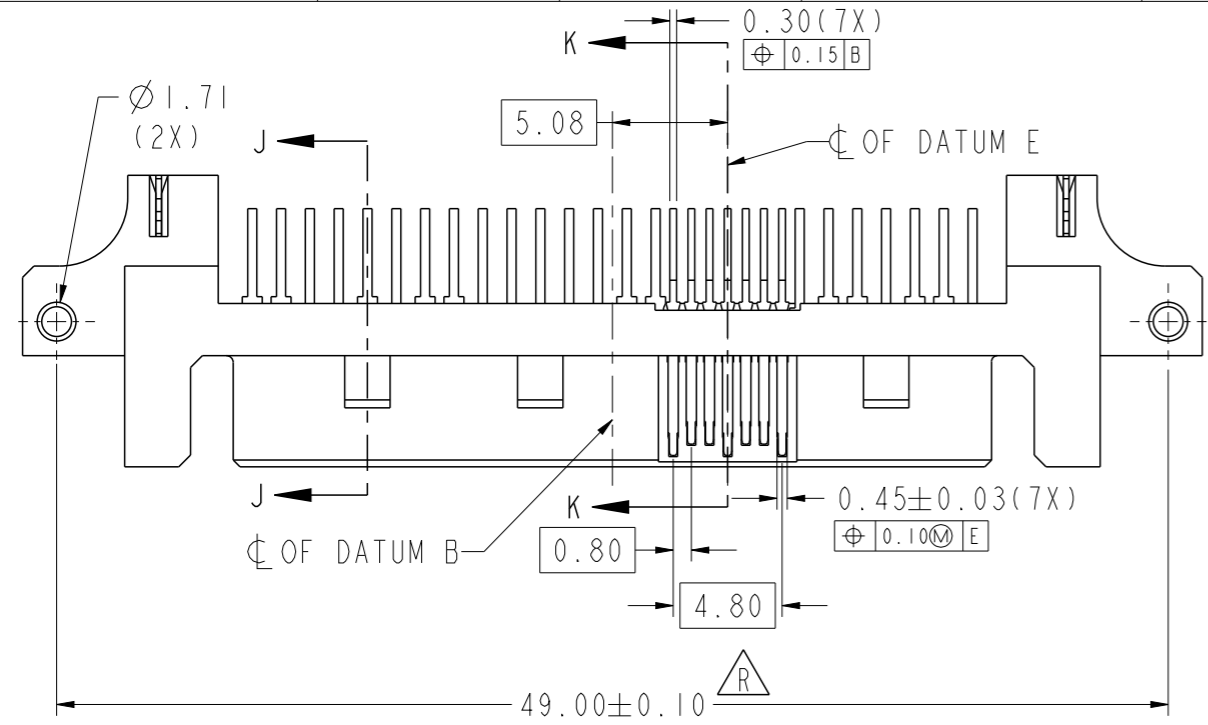


Amphenol
 FCI

© 2016 AFCI

spec ref	dr	wcadmin	2010/07/16	projection	MM	size	A3	scale	3:1
tolerance std	eng	Jeffrey Lim	2016/09/22			ecn no	ELX-S-24900-1		
ASME Y14.5	chr	-	rel level			Released			
TOLERANCES UNLESS OTHERWISE SPECIFIED	appr	Koon-Poh Tay	2016/10/06	product family		dwg no	10034524		rev
surface	linear	0.X	±	Amphenol FCI		SAS PLUG R/A		Product - Customer Drw	sheet 1 of 4
ASME Y14.5	angular	0.XX	±0.20	TYPE ASSY, Z-HT. 0.80		R			
		0.XXX	±	cat. no.	Product - Customer Drw				
		0°	±2°	PDS: Rev :R		STATUS:Released		Printed: Oct 06, 2016	

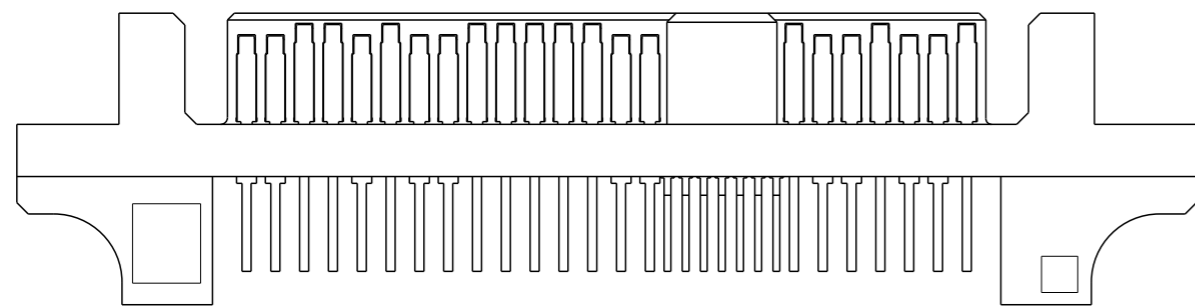
PRODUCT NO.	PCB THICKNESS	DIMENSION "A" WITH ADHESIVE TAPE WITH COVER	PACKAGING
10034524-001LF	1.60	2.40±0.15	NO TRAY
10034524-001C-TRLF			YES TAPE & REEL
10034524-002LF	1.20	2.00±0.15	NO TRAY
10034524-003C-TRLF			YES TAPE & REEL
10034524-004C-TRLF	1.20	2.00±0.15	YES TAPE & REEL
10034524-013TRLF			YES TAPE & REEL



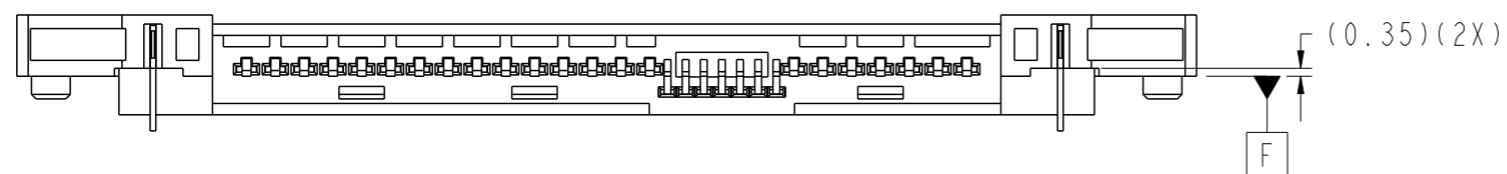
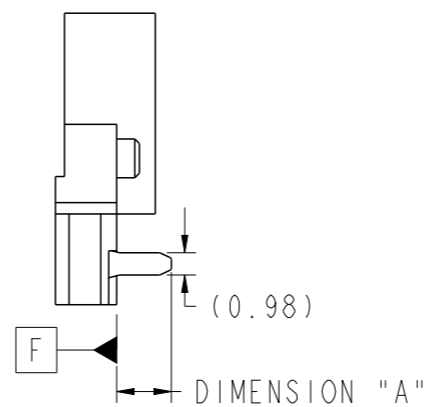
Amphenol FCI
© 2016 AFCI

spec ref	dr	wcadmin	2010/07/16	projection	MM	size	A3	scale	3:1
tolerance std	eng	Jeffrey Lim	2016/09/22	product family	← →	ecn no	ELX-S-24900-1	rel level	Released
ASME Y14.5	chr	-	-						
	appr	Koon-Poh Tay	2016/10/06	SAS PLUG R/A		10034524		rev	
surface	linear	0.X	± -	TYPE ASSY, Z-HT. 0.80		R			
		0.XX	±0.20						
		0.XXX	± -						
ASME Y14.5	angular	0°	±2°						

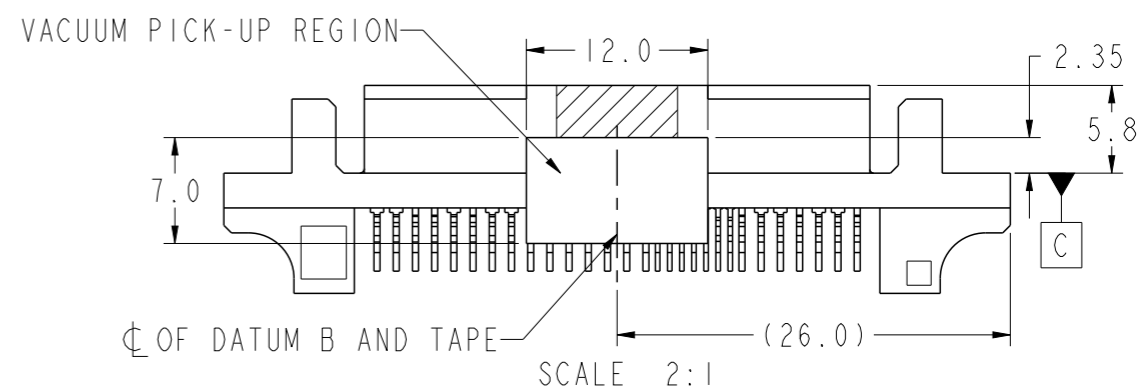
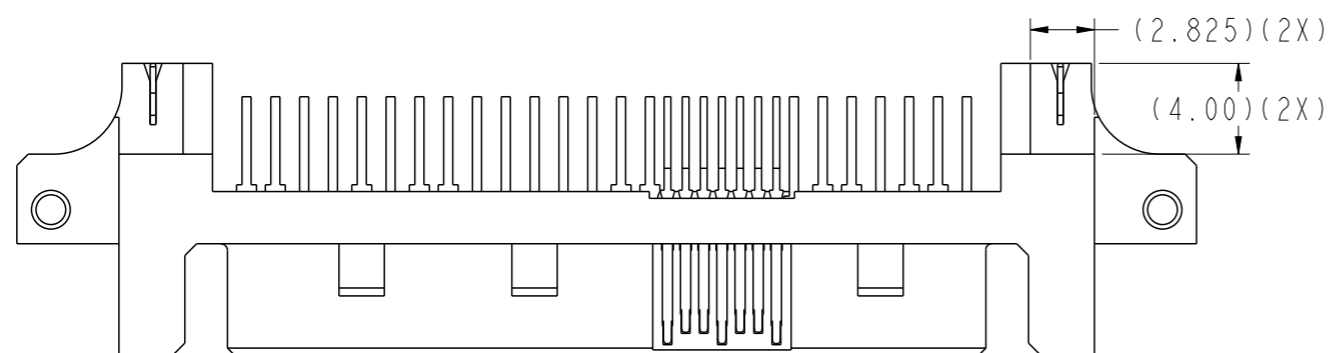
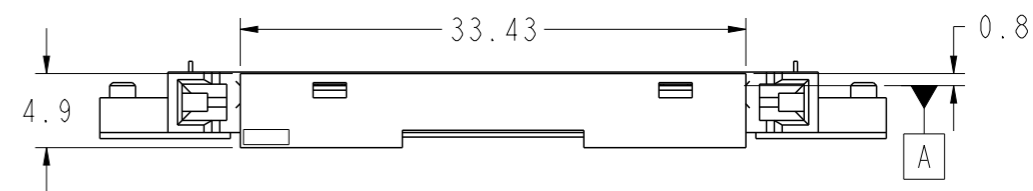
PRODUCT NO.
 10034524-003C-TRLF
 10034524-004C-TRLF
 10034524-013TRLF



SCALE 3:1



(0.35)(2X)

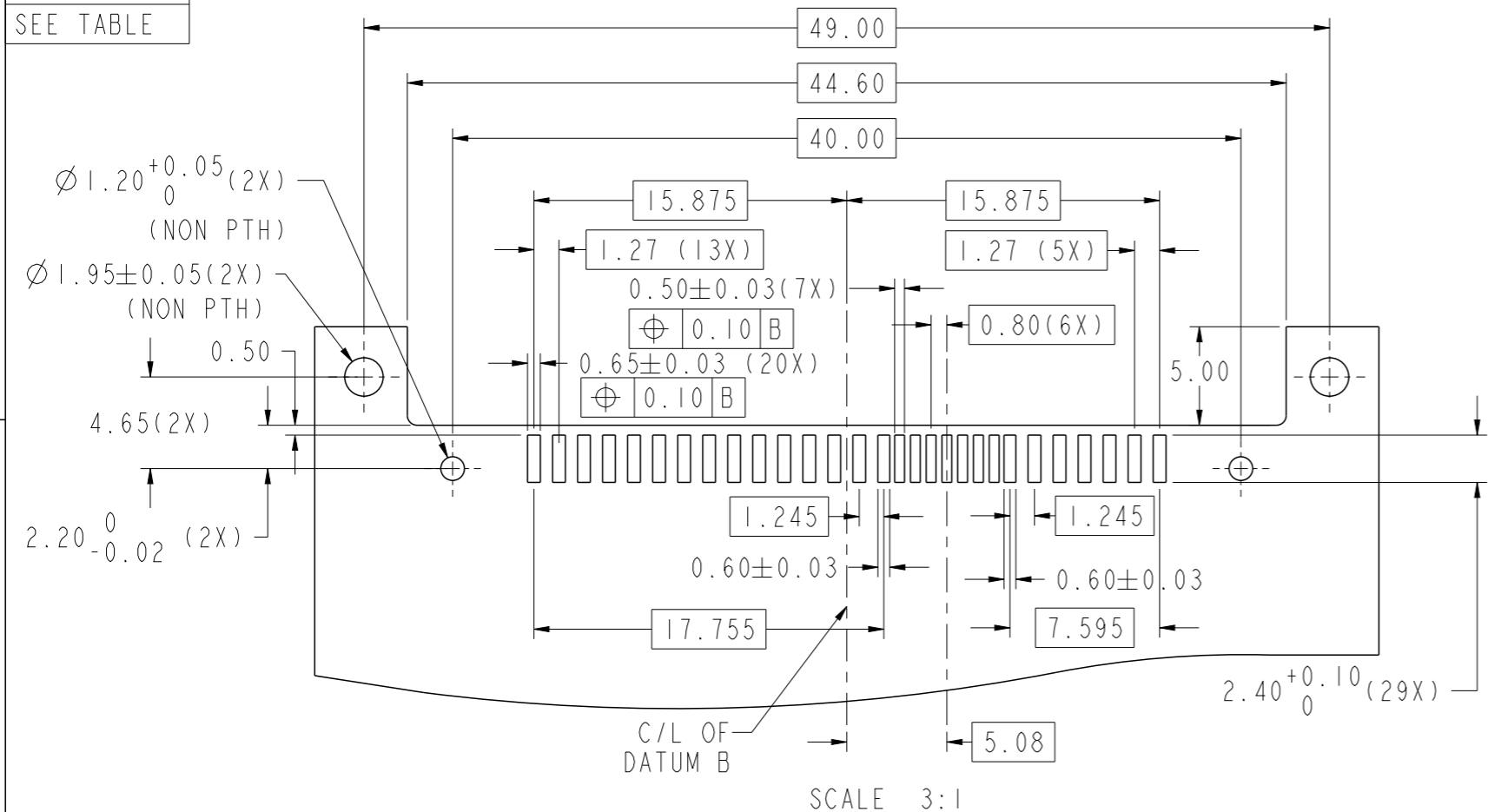


SCALE 2:1

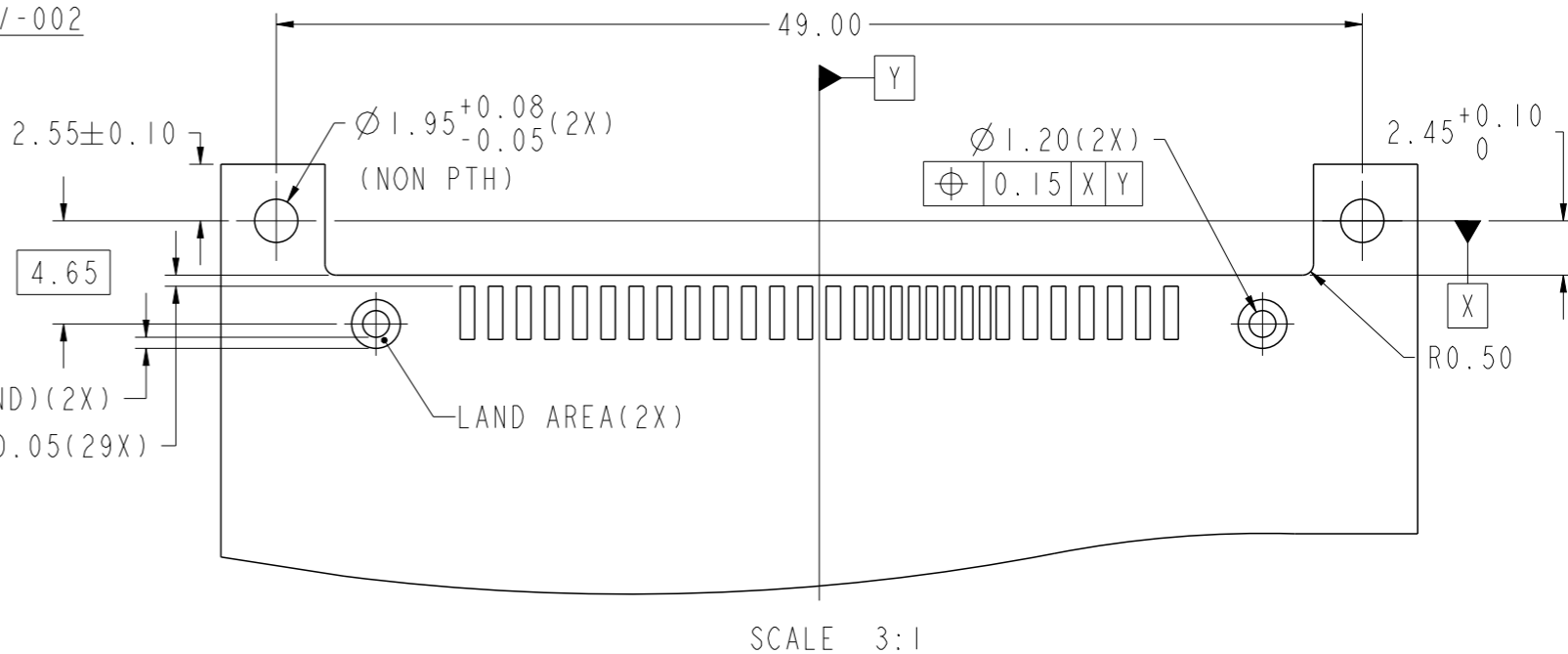
WITH ADHESIVE TAPE AND COVER ATTACHED
 (FOR 10034524-003C/-004C-TRLF)

spec ref		dr	wcadmin	2010/07/16	projection	MM	size	A3	scale	1:1
tolerance std		eng	Jeffrey Lim	2016/09/22			ecn no	ELX-S-24900-1		
ASME Y14.5		chr	-	-				rel level	Released	
-		TOLERANCES UNLESS OTHERWISE SPECIFIED			product family		-			
surface	linear	0.X	±	-		SAS PLUG R/A		dwg no	10034524	
		0.XX	±0.20	-		TYPE ASSY, Z-HT. 0.80			rev	R
ASME Y14.5	angular	0°	±2°	-	cat. no.	-	Product - Customer Drw		sheet 3 of 4	

PRODUCT NO.
SEE TABLE



RECOMMENDED PAD LAYOUT FOR 10034524-0011/-002



RECOMMENDED PAD LAYOUT FOR 10034524-003/-004/-013 (GENERAL TOLERANCE: ±0.08)
(FOR MORE DIMENSIONS, REFER TO PAD LAYOUT FOR 10034524-0011/-002)

- NOTES:
- MATERIAL:
HOUSING & COVER: HIGH TEMPERATURE PLASTIC, BLACK, UL94V-0
CONTACT & HOLD DOWN: COPPER ALLOY
ADHESIVE TAPE: POLYIMIDE
 - FINISH:
CONTACT: 1.27um Min. NICKEL UNDERPLATE OVERALL,
1.91um Min. 100% MATTE TIN(LEAD-FREE) ON SOLDER TAIL,
0.76um Min. GOLD ON CONTACT AREA
HOLD DOWN: 1.91um Min. 100% MATTE TIN(LEAD-FREE) OVER
1.27um Min. NICKEL UNDERPLATE OVERALL
 - RECOMMENDED PCB THICKNESS: 1.20 & 1.60mm
 - PRODUCT SPECIFICATION: GS-12-282
 - PACKAGING SPECIFICATION: GS-14-952(TRAY); GS-14-1038(TAPE & REEL)
 - THIS PRODUCT MEETS EUROPEAN UNION DIRECTIVES AND OTHER
COUNTRY REGULATIONS AS DESCRIBED IN GS-47-0004
 - THE HOUSING WILL WITHSTAND EXPOSURE TO 260°C PEAK
TEMPERATURE FOR 10 SECONDS IN A CONVECTION, INFRA-RED
OR VAPOR PHASE REFLOW OVEN
 - A SYMBOL \triangle WILL BE NEXT TO ANY DIMENSION, VIEW OR NOTE WHICH
HAS BEEN MODIFIED WITH THE CURRENT DRAWING REVISION

spec ref	dr	wcadmin	2010/07/16	projection	MM	size	A3	scale	1:1
tolerance std	eng	Jeffrey Lim	2016/09/22			ecn no	ELX-S-24900-1	rel level	Released
ASME Y14.5	chr	-	-			product family	-		
surface	appr	Koon-Poh Tay	2016/10/06	Amphenol FCI		dwg no	10034524	rev	R
ASME Y14.5	linear	0.X	±-	SAS PLUG R/A		cat. no.	-	Product - Customer Drw	
	angular	0°	±2°	TYPE ASSY, Z-HT. 0.80		sheet	4 of 4	Printed: Oct 06, 2016	

Amphenol FCI

© 2016 AFCI

Mouser Electronics

Authorized Distributor

Click to View Pricing, Inventory, Delivery & Lifecycle Information:

[FCI / Amphenol:](#)

[10034524-001LF](#) [10034524-002LF](#) [10034524-004C-TRLF](#) [10034524-003CLF](#) [10034524-001C-TRLF](#)