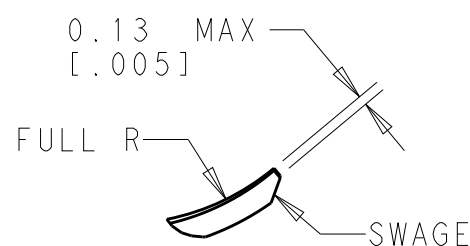


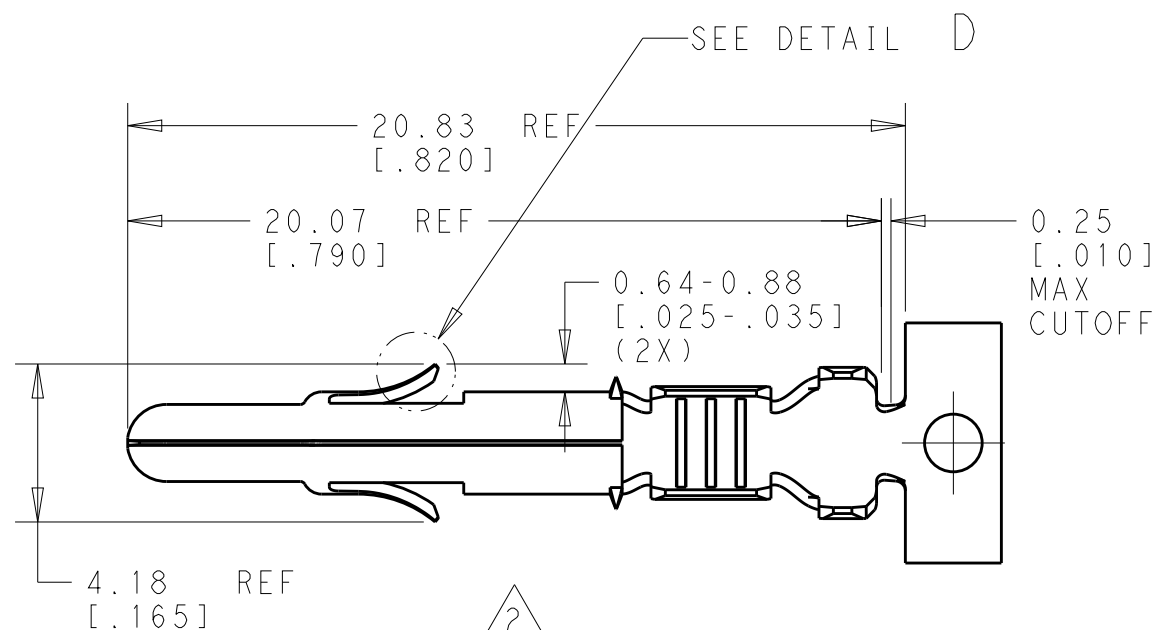
THIS DRAWING IS UNPUBLISHED. RELEASED FOR PUBLICATION 2019
COPYRIGHT 2019 BY - ALL RIGHTS RESERVED.

REVISIONS

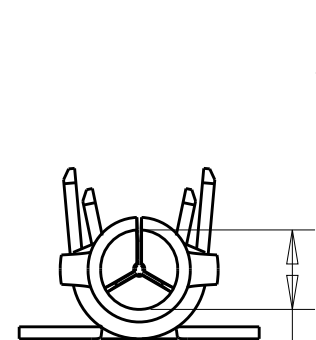
P	LTR	DESCRIPTION	DATE	DWN	APVD
	AA	REVISED PER ECO-19-006991	15MAY2019	BKW	SF



DETAIL D
SCALE 10:1

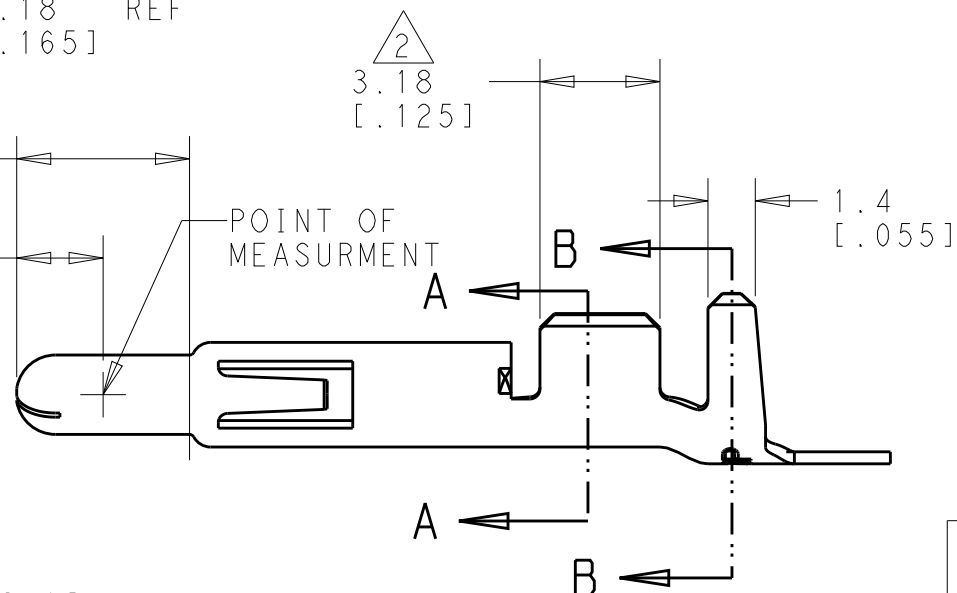


- 1 PLATED WITH 0.00076 [.000030] GOLD, OVER 0.00127 [.000030] NICKEL UNDERPLATE.
- 2 PLATED INTERNALLY WITH 0.00076 [.000030] GOLD.
- 3 INSULATION RANGE: 1.52-3.30 [.060-.130] DIAMETER



1 4.57 [.180]
2.29 [.090]

Ø 2.08-2.13 [.0815-.0840]



2.67-3.30 [.105-.130]

SECTION A-A

3.69-4.31 [.145-.170]

SECTION B-B

LOOSE PIECE (REF)	FINISH	MATERIAL	PART NUMBER
350547-7	GOLD 1	0.30 [.012] BRASS	350218-7
350547-6	GOLD 1	0.30 [.012] PH BRZ	350218-6
350547-3	PRE-TIN	0.30 [.012] PH BRZ	350218-3
350547-2	GOLD 1 2	0.30 [.012] BRASS	350218-2
350547-1	PRE-TIN	0.30 [.012] BRASS	350218-1

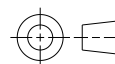
THIS DRAWING IS A CONTROLLED DOCUMENT.

DWN B. WEAVER 19SEP2018
CHK S. FERNANDES 19SEP2018
APVD S. FERNANDES 19SEP2018



DIMENSIONS: mm [IN]

TOLERANCES UNLESS OTHERWISE SPECIFIED:



0 PLC ±-
1 PLC ±-
2 PLC ±-
3 PLC ±0.38 [.015]
4 PLC ±-
ANGLES ±-

NAME
PIN, UNIVERSAL MATE-N-LOK

PRODUCT SPEC 108-1031
APPLICATION SPEC 114-1010
WEIGHT -

SIZE A3 CAGE CODE 00779 DRAWING NO C-350218 RESTRICTED TO -

INSULATION RANGE: 3

WIRE RANGE: 20-14 AWG

MATERIAL - FINISH -

CUSTOMER DRAWING SCALE 5:1 SHEET 1 OF 1 REV AA