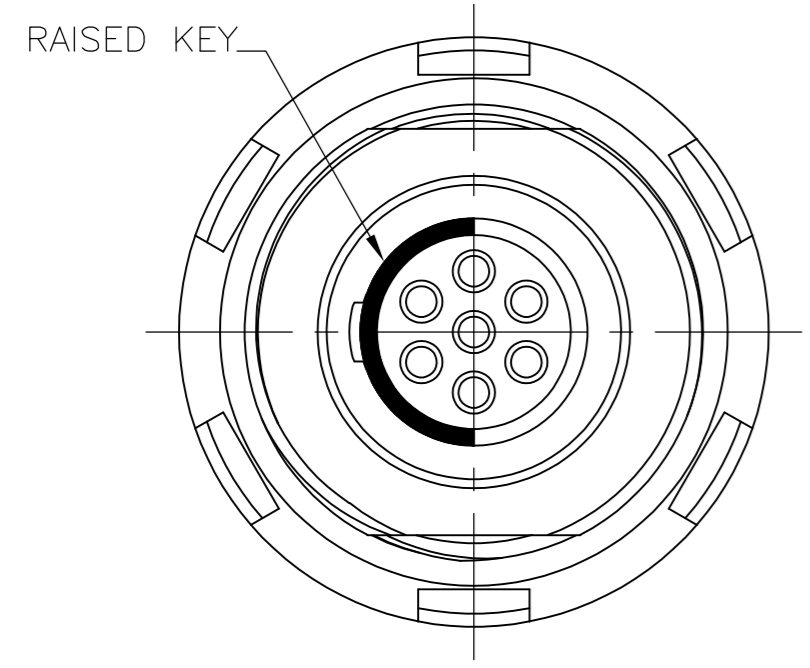
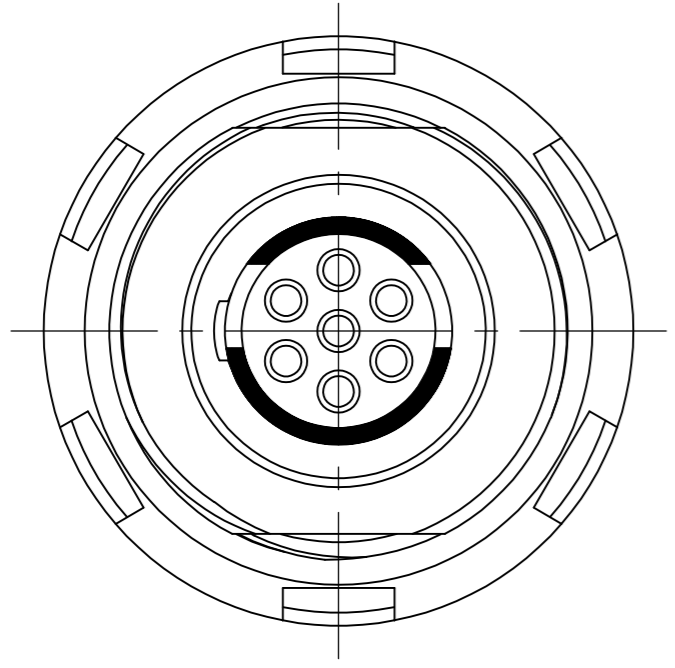


THIS DRAWING IS UNPUBLISHED. RELEASED FOR PUBLICATION  
 © COPYRIGHT - By - ALL RIGHTS RESERVED.

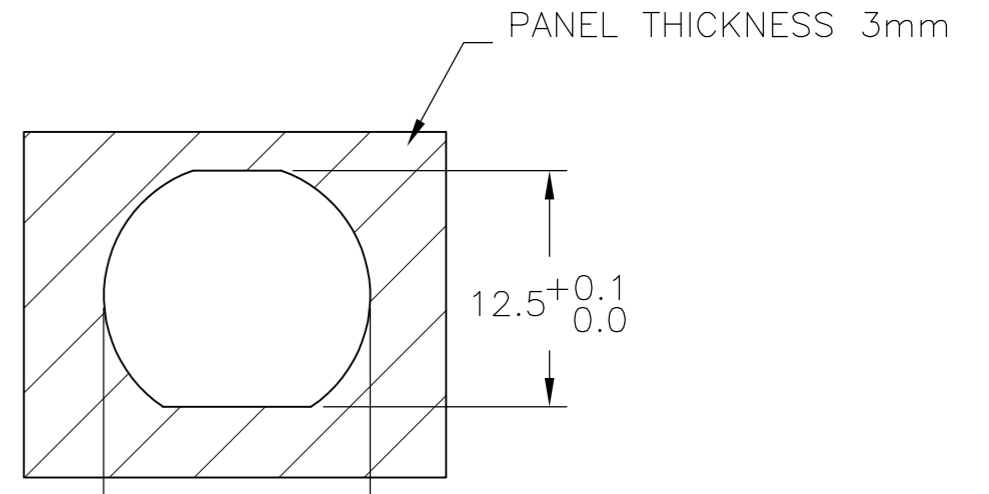
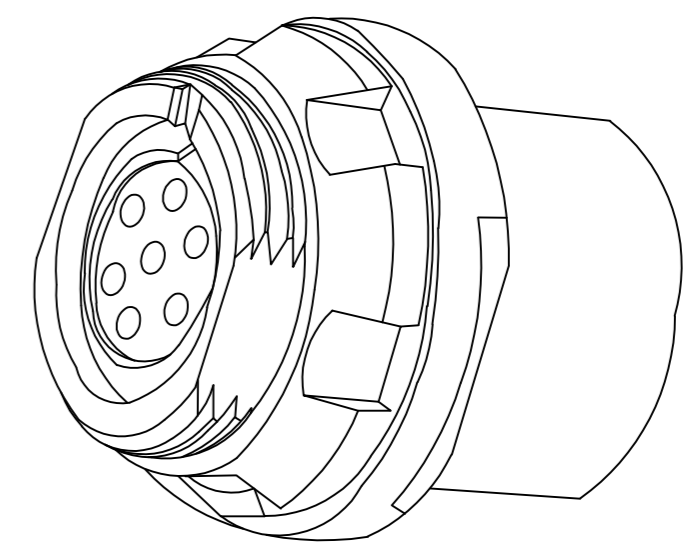
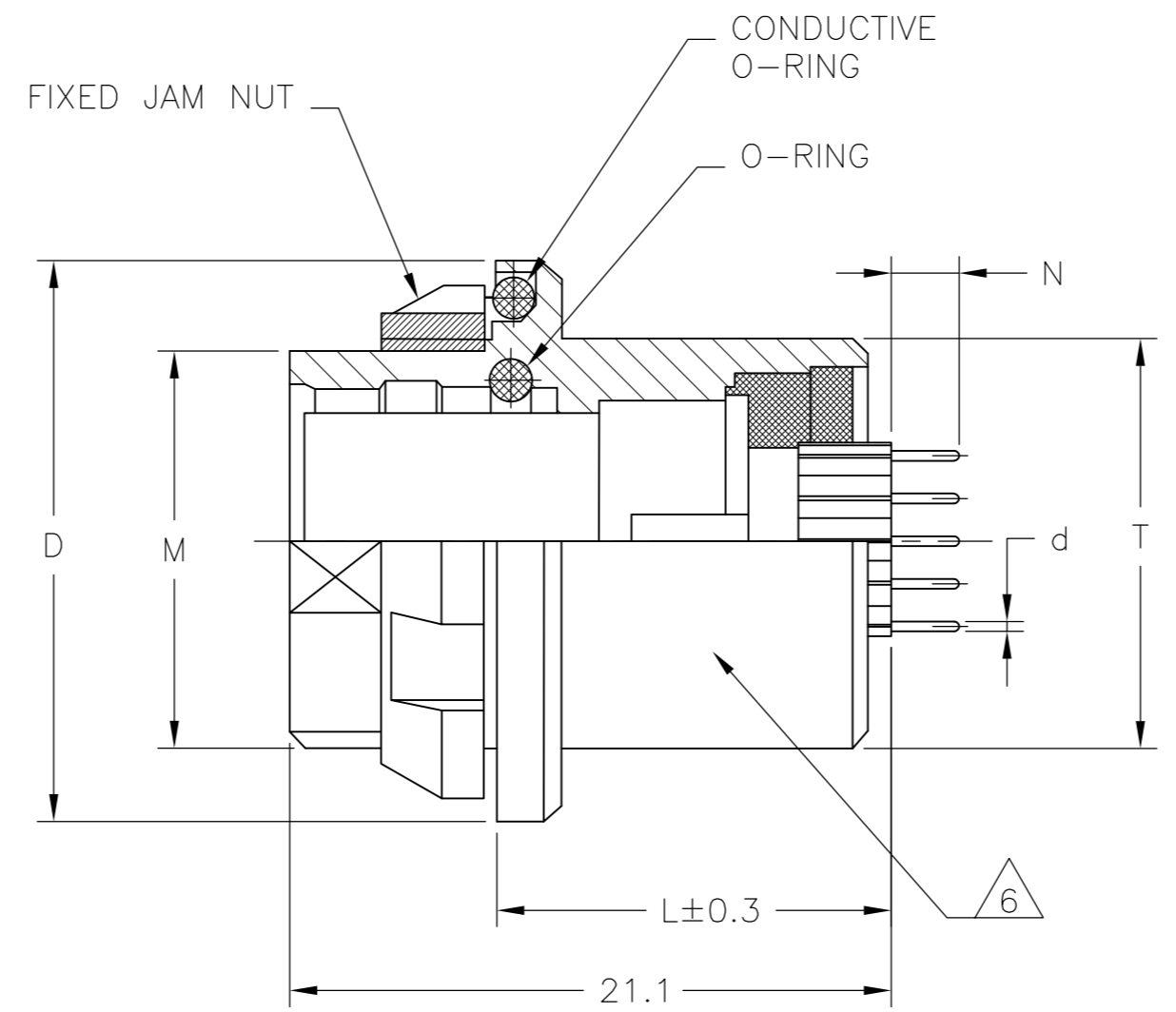
LOC		DIST		REVISIONS			
P	LTR	DESCRIPTION	DATE	DWN	APVD		
C		REVISED PER ECO 13-001843.	08FEB2013	MGM	CT		



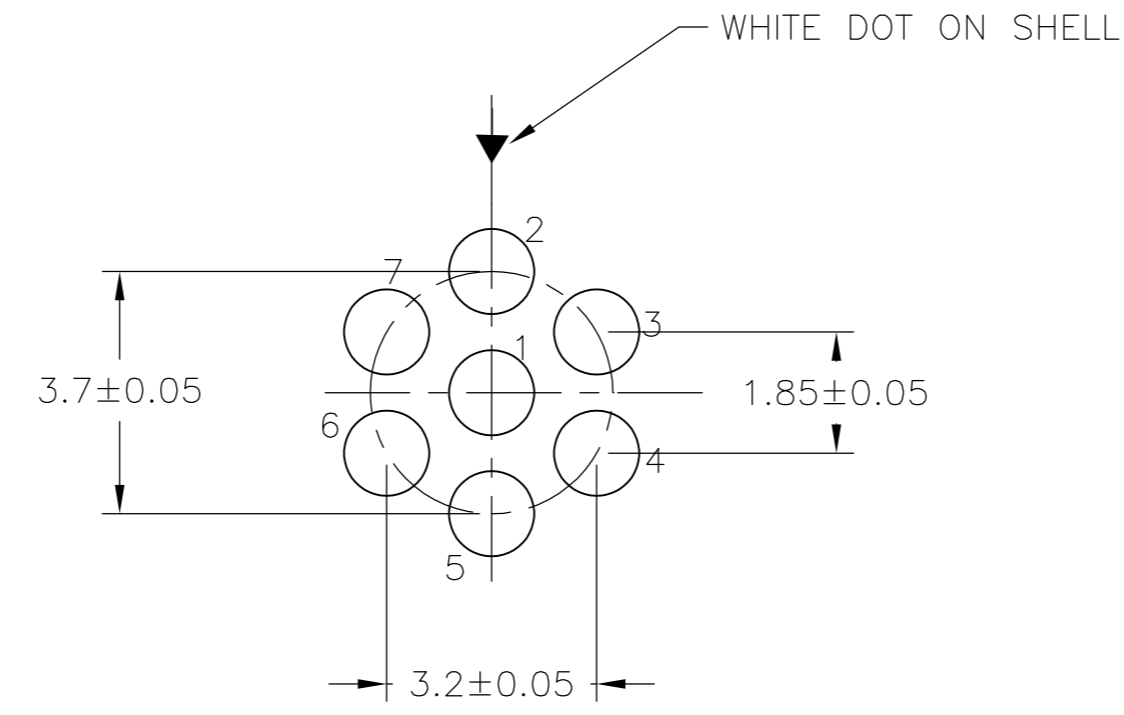
SINGLE POLARIZATION



DOUBLE POLARIZATION



PANEL CUTOUT



CAVITY IDENTIFICATION WHEN VIEWED FROM REAR OF CONNECTOR

- 1. DWV RATING: 875VAC @ SEA LEVEL
- 2. WORKING TEMPERATURE: -55°C ~ +125°C

3 MATERIAL:  
 CONTACT : COPPER ALLOY  
 SHELL : COPPER ALLOY  
 INSULATOR : PEEK  
 O RING : SILICON RUBBER

4 FINISH  
 CONTACT: GOLD OVER NICKEL  
 SHELL : BLACK CHROMIUM

5. WATER PROOF: 1M IMMERSION

6 PART IS MARKED WITH THE TE PART NUMBER, CHINA, DATE CODE AND LOT ID

7 ALL TOLERANCES ±0.20 MM UNLESS NOTED.

CHROMIUM-BLACK	DOUBLE	SOLDERING	2.54	φ0.5	15.45	φ14	M14X1	φ18	2	2101553-2
CHROMIUM-BLACK	SINGLE	SOLDERING	2.54	φ0.5	15.45	φ14	M14X1	φ18	2	2101553-1
FINISH	POLARIZATION	TERMINATION	N	d	L	T	THREAD	D	SHELL SIZE	TE PART NUMBER

THIS DRAWING IS A CONTROLLED DOCUMENT.

DWN	C.C THOMAS	20AUG2009
CHK	R. GROSS	20AUG2009
APVD	R. GROSS	20AUG2009
PRODUCT SPEC	108-127005	
APPLICATION SPEC		
WEIGHT	-	
CUSTOMER DRAWING		

TE Connectivity

CIRCULAR HD RECEPTACLE WITH SOCKET, JAM NUT, FRONT MOUNTING, STRAIGHT PCB 7 POS.

SIZE	A2	CAGE CODE	00779	DRAWING NO	C=2101553	RESTRICTED TO	-
SCALE	2:1	SHEET	1 of 1	REV	C		

# Mouser Electronics

Authorized Distributor

Click to View Pricing, Inventory, Delivery & Lifecycle Information:

[TE Connectivity:](#)

[2101553-1](#)