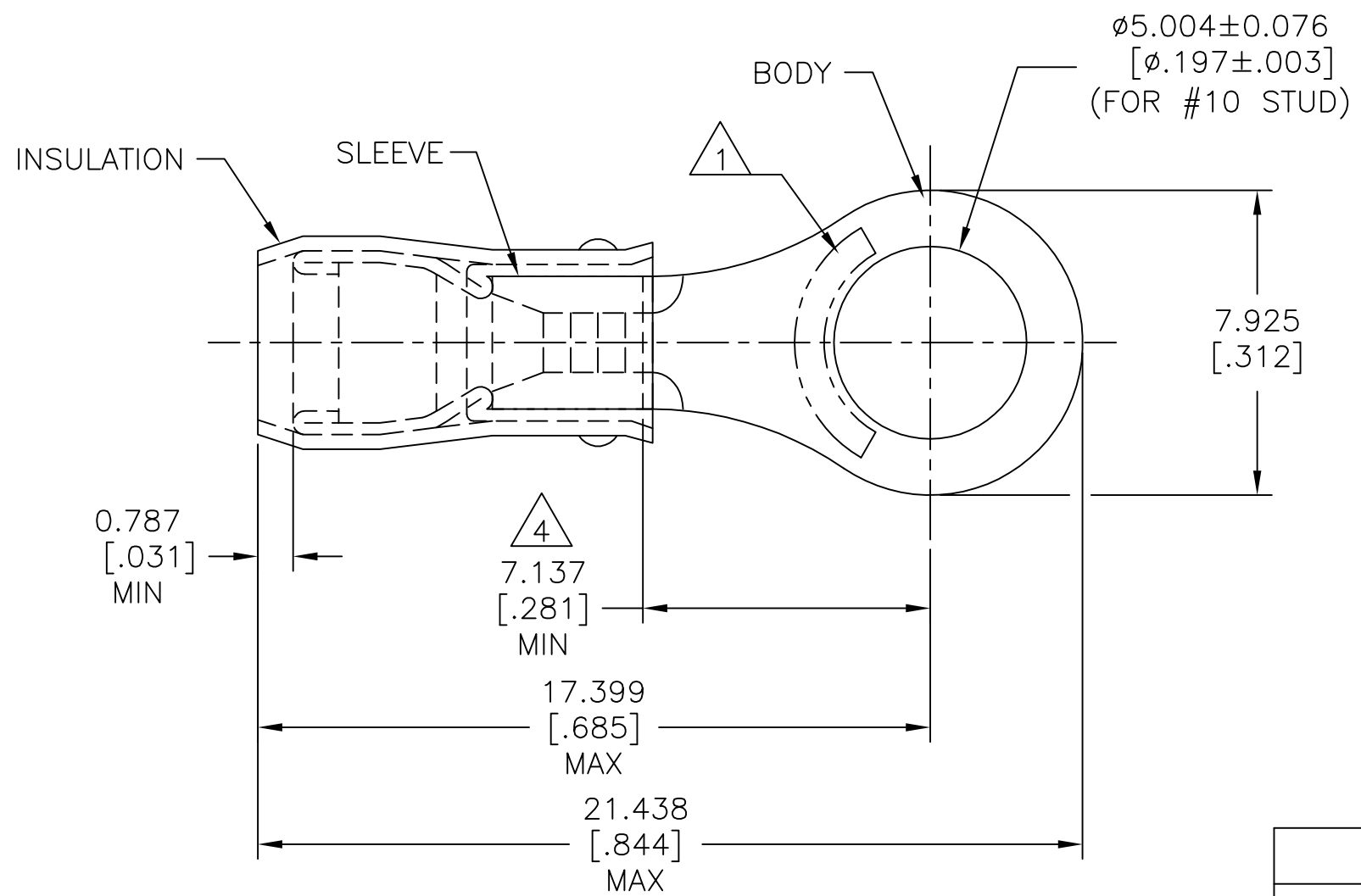


REVISIONS					
P	LTR	DESCRIPTION	DATE	DWN	APVD
	AA	REVISED PER ECO-14-015277	13FEB2015	NK	DR
	AA1	REVISED PER ECO-17-007400	18DEC2017	RS	DR

AMP WIRE RANGE	E13288 Listed	LR7189 Certified
22-16 AWG SOLID OR STRANDED	22-16 AWG SOLID OR STRANDED	22-16 AWG SOLID OR STRANDED



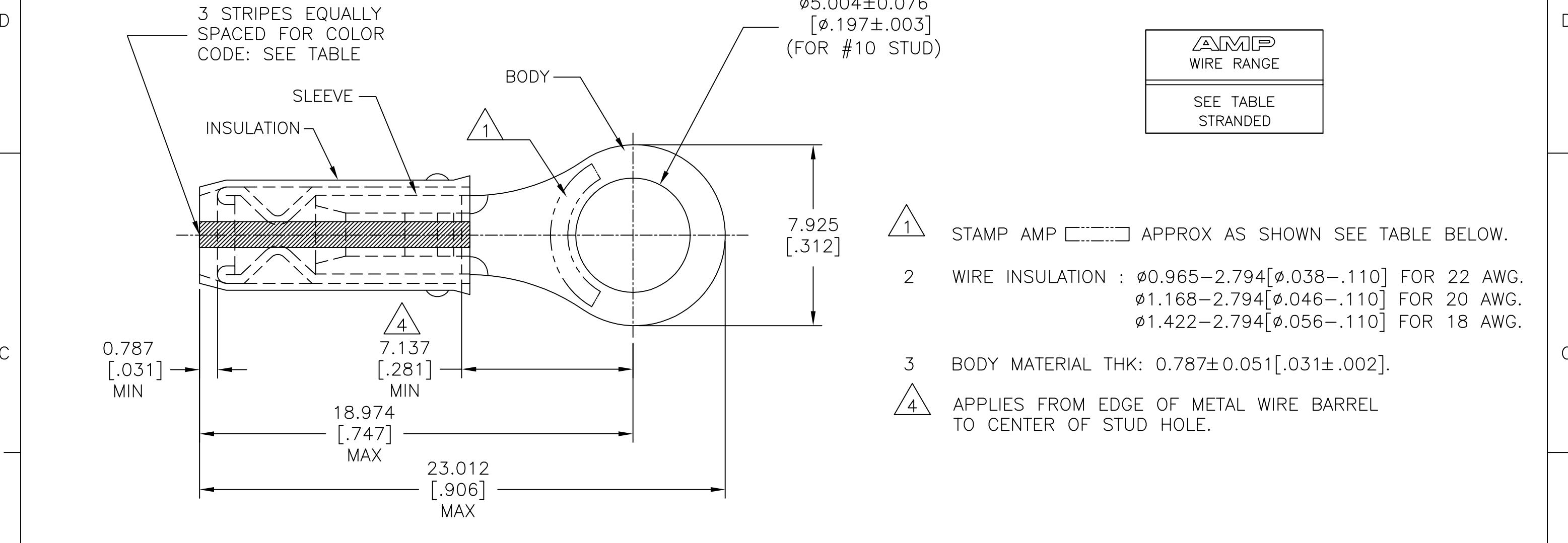
- 1 STAMP AMP 22-18* APPROX AS SHOWN
22-16 TERMINALS ARE STAMPED 22-18 IN
ACCORDANCE WITH MILITARY SPEC MIL-T-7928
COMMERCIAL WIRE RANGE IS 22-16.
- 2 WIRE INSULATION : ϕ 2.032-3.175 [ϕ .080-.125].
- 3 BODY MATERIAL THK: 0.787 ± 0.051 [.031 ± .002].
- 4 APPLIES FROM EDGE OF METAL WIRE BARREL
TO CENTER OF STUD HOLE.

MILITARY P/N AND CLASS	QUANTITY	PACKAGE TYPE	PART NO
-	100	LOOSE PIECE, BOX	6-36153-1
MS25036-103 CLASS 2	5000	ON TAPE, REEL	2-36153-2
MS25036-103 CLASS 1 & 2	1000	LOOSE PIECE	36153

AMP INCORPORATED CUSTOMER SERVICE SYSTEMS		MAX RECOMMENDED OPERATING TEMPERATURE: 105°C [221°F] MAX
FOR ADDITIONAL PRODUCT INFORMATION OR COPIES OF DRAWINGS AND TECHNICAL DOCUMENTS	PRODUCT INFORMATION CENTER 1-800-522-6752	VOLTAGE RATING: 300 V MAX
FOR APPLICATION TOOLING INFORMATION	TOOLING ASSISTANCE CENTER 1-800-722-1111	CIRCULAR MIL AREA: 0.26-1.65mm ² [509-3,260] CIR MILS SOLID OR STRANDED
FOR ORDER ENTRY	1-800-526-5142	THIS DRAWING IS A CONTROLLED DOCUMENT FOR AMP INCORPORATED. IT IS SUBJECT TO CHANGE AND THE CONTROLLING ENGINEERING ORGANIZATION SHOULD BE CONTACTED FOR THE LATEST REVISION.

THIS DRAWING IS A CONTROLLED DOCUMENT.		DWN DK SCHRUM 9/8/93	TE Connectivity	
DIMENSIONS: mm [INCHES]		CHK RE HERSEY 9/8/93		
TOLERANCES UNLESS OTHERWISE SPECIFIED:		APVD ML ELLIS 9/8/93	NAME TERMINAL, RING TONGUE, PIDG™ WIRE SIZE, 22-16 AWG	
0 PLC ± - 1 PLC ± - 2 PLC ± - 3 PLC ± 0.127[.005] 4 PLC ± - ANGLES ± -		PRODUCT SPEC UL 486 A-B	DRAWING NO 114-2157	
MATERIAL BODY & SLEEVE: COPPER PER ASTM B-152 INSULATION: NYLON		APPLICATION SPEC 114-2157	SIZE A3	CAGE CODE 00779
FINISH BODY & SLEEVE: TIN PLATE PER ASTM B545 INSULATION: COLOR-RED		WEIGHT -	DRAWING NO C-36153	RESTRICTED TO -
CUSTOMER DRAWING			SCALE NTS	SHEET 1 OF 2
			REV AA1	

REVISIONS					
P	LTR	DESCRIPTION	DATE	DWN	APVD
-	-	SEE SHEET 1	-	-	-



AMP
WIRE RANGE

SEE TABLE
STRANDED

- 1 STAMP AMP [] APPROX AS SHOWN SEE TABLE BELOW.
- 2 WIRE INSULATION : $\phi 0.965-2.794$ [$\phi 0.038-.110$] FOR 22 AWG.
 $\phi 1.168-2.794$ [$\phi 0.046-.110$] FOR 20 AWG.
 $\phi 1.422-2.794$ [$\phi 0.056-.110$] FOR 18 AWG.
- 3 BODY MATERIAL THK: 0.787 ± 0.051 [$.031 \pm .002$].
- 4 APPLIES FROM EDGE OF METAL WIRE BARREL TO CENTER OF STUD HOLE.

-	RED	20*	20	100	LOOSE PIECE, BOX	8-36153-1
MS7928/1-33 CLASS 2	WHITE	18*	18	5000	ON TAPE, REEL	2-36153-9
M7928/1-24 CLASS 2	RED	20*	20	5000	ON TAPE, REEL	2-36153-8
M7928/1-15 CLASS 2	GREEN	22*	22	5000	ON TAPE, REEL	2-36153-6
MS7928/1-33 CLASS 1 & 2	WHITE	18*	18	1000	LOOSE PIECE	2-36153-5
M7928/1-24 CLASS 1 & 2	RED	20*	20	1000	LOOSE PIECE	2-36153-4
M7928/1-15 CLASS 1 & 2	GREEN	22*	22	1000	LOOSE PIECE	2-36153-3
MILITARY P/N AND CLASS	STRIPE COLOR	1 STAMPING	WIRE SIZE	QUANTITY	PACKAGE TYPE	PART NO

AMP INCORPORATED CUSTOMER SERVICE SYSTEMS		MAX RECOMMENDED OPERATING TEMPERATURE: 105°C [221°F] MAX	THIS DRAWING IS A CONTROLLED DOCUMENT.		DWN DK SCHRUM 9/8/93	STE TE Connectivity				
FOR ADDITIONAL PRODUCT INFORMATION OR COPIES OF DRAWINGS AND TECHNICAL DOCUMENTS	PRODUCT INFORMATION CENTER 1-800-522-6752	VOLTAGE RATING: 300 V MAX	DIMENSIONS: mm [INCHES]	TOLERANCES UNLESS OTHERWISE SPECIFIED:	CHK RE HERSEY 9/8/93			NAME		
FOR APPLICATION TOOLING INFORMATION	TOOLING ASSISTANCE CENTER 1-800-722-1111	WIRE RANGE: CIRC MIL AREA: 22 0.38mm ² [754] 20 0.60mm ² [1,186] 18 0.96mm ² [1,900] STRANDED		0 PLC ± - 1 PLC ± - 2 PLC ± - 3 PLC ± 0.127[.005] 4 PLC ± - ANGLES ± -	APVD ML ELLIS 9/8/93	TERMINAL, RING TONGUE, I.R., PIDG™ WIRE SIZE, 22 & 16 AWG				
FOR ORDER ENTRY	1-800-526-5142	THIS DRAWING IS A CONTROLLED DOCUMENT FOR AMP INCORPORATED. IT IS SUBJECT TO CHANGE AND THE CONTROLLING ENGINEERING ORGANIZATION SHOULD BE CONTACTED FOR THE LATEST REVISION.	MATERIAL BODY & SLEEVE: COPPER PER ASTM B-152 INSULATION: NYLON	FINISH BODY & SLEEVE: TIN PLATE PER ASTM B545 INSULATION: COLOR-RED	PRODUCT SPEC -	APPLICATION SPEC 114-2157	SIZE A3	CAGE CODE 00779	DRAWING NO C-36153	RESTRICTED TO -
			CUSTOMER DRAWING		WEIGHT -	SCALE NTS	SHEET 2 OF 2	REV AA1		