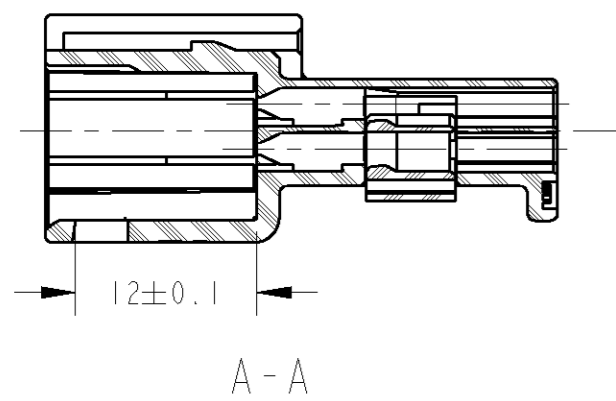
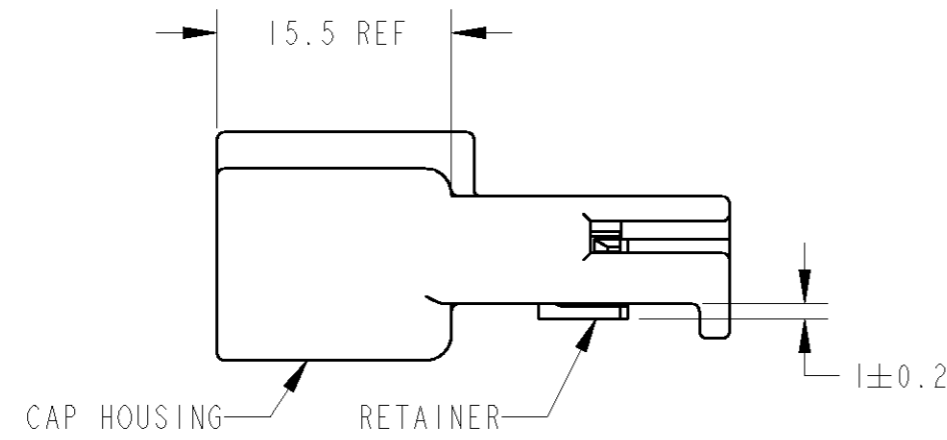
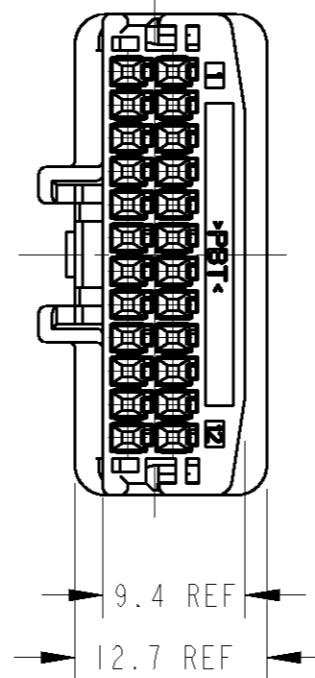
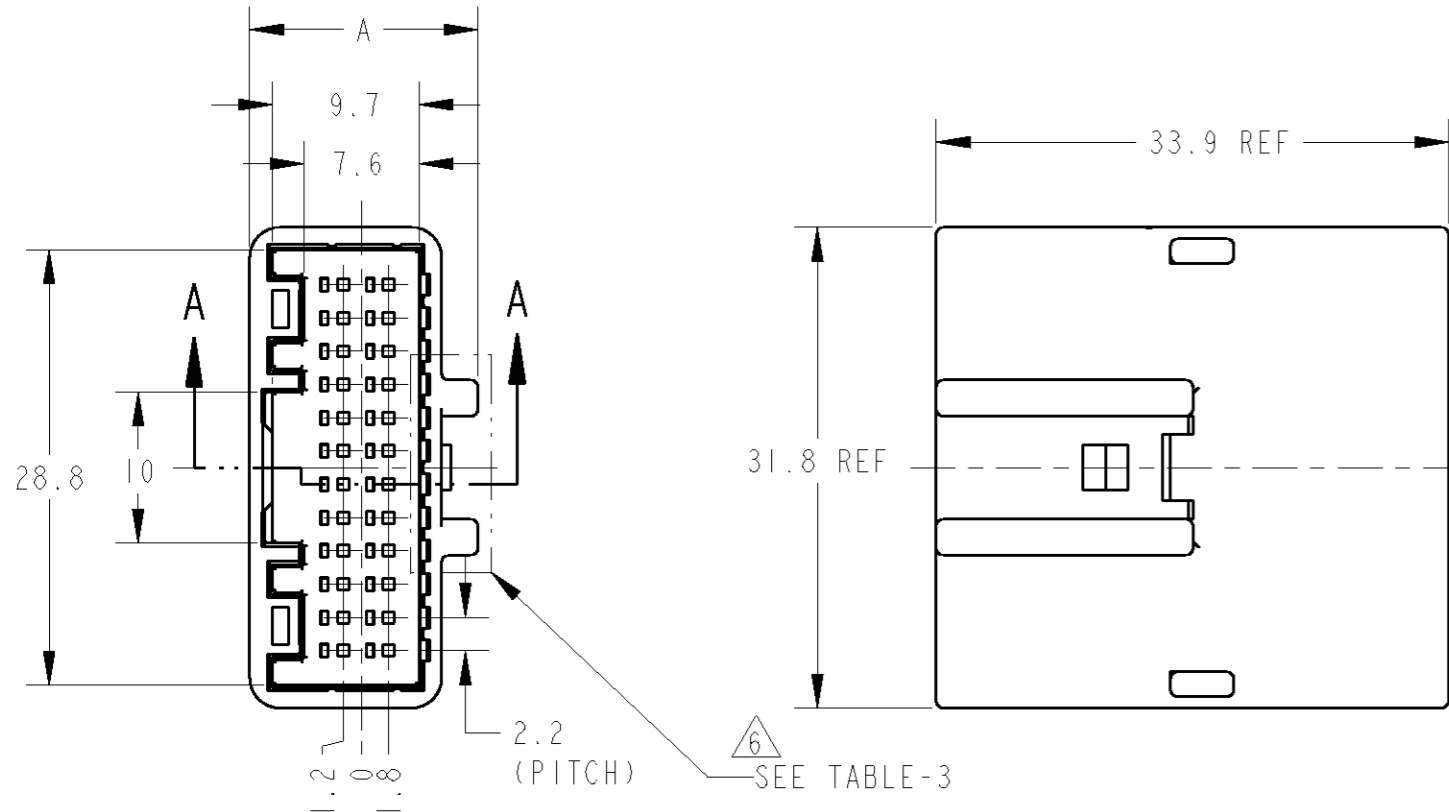


THIS DRAWING IS UNPUBLISHED. RELEASED FOR PUBLICATION
 © COPYRIGHT - BY TYCO ELECTRONICS CORPORATION. ALL RIGHTS RESERVED.

| LOC | | DIST | | REVISIONS | | | | |
|-----|-----|-------------|---------------|-----------|-----|------|--|--|
| P | LTR | DESCRIPTION | ECN | DATE | DWN | APVD | | |
| | O | RELEASED | FJ00-1822-01 | 12APR2002 | N.Y | N.S | | |
| | A | REVISED | FJ00-0565-02 | 12APR2002 | D.M | N.S | | |
| | B | REVISED | FJA0-0085-03 | 04MAR2003 | D.M | K.S | | |
| | BI | REVISED | ECR-05-000898 | 24MAR05 | D.M | K.S | | |



1. RETAINER MUST BE SET TO THE PRE-ASSEMBLY POSITION WITHIN THE CAP HOUSING WHEN SHIPPED TO THE CUSTOMER.
2. RETAINER MUST BE OUT SIDE OF CAP HOUSING AT PRE-ASSEMBLY
3. INSTRUCTION SHEET NO.; 411-78011
4. PART NUMBER OF PLUG HOUSING TO BE MATED; SEE TABLE-1
5. APPLICABLE TERMINAL; TABLE-2
6. PANEL LOCK VARIATIONS; REFER TO TABLE-3

1. リテーナはキャップ・ハウジングに仮係止して出荷される。
2. 仮係止時、リテーナはハウジングの外側に出ていること。
3. 取扱説明書NO.; 411-78011
4. 嵌合相手型番; TABLE-1参照
5. 適用端子; TABLE-2参照
6. 本製品は2種類のパネルロック形状があるTABLE-3参照

| PART NO | DEMENSION A 寸法A | DEMENSION B 寸法B |
|-----------|--------------------|--------------------|
| 1473413-2 | 14.7 REF | 16.6 REF |
| 1473413-1 | 15.1 REF | 17.0 REF |

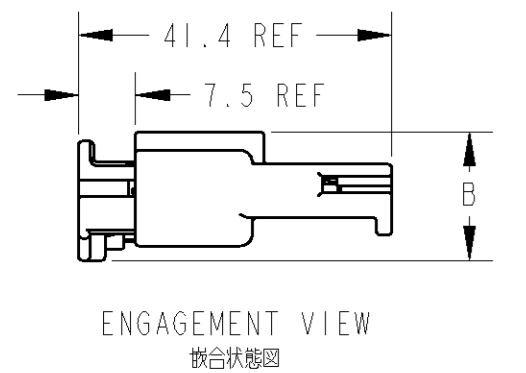


TABLE-3

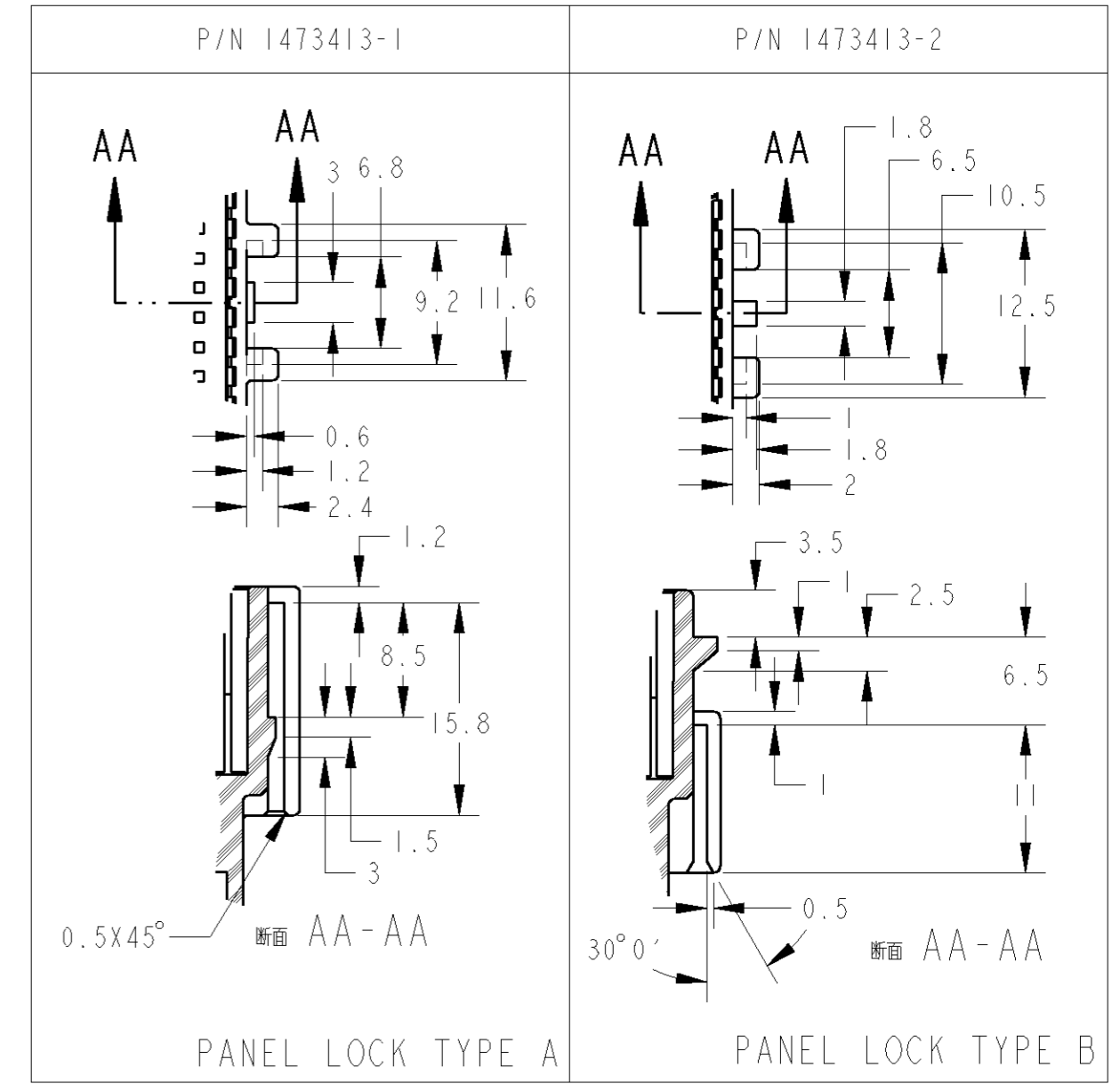


TABLE-1

| POS 極数 | TERMINATION TYPE 結線方式 | PLUG ASSEMBLY PART NO. 嵌合相手型番 |
|-----------|-----------------------------|-------------------------------------|
| 24 | CRIMP | 1318917 |

TABLE-2

| TYPE 端子種類 | FINISH 仕上 | APPLICABLE TERMINAL P/N | APPLICABLE WIRE RANGE 適用電線 |
|---------------|--------------|----------------------------|---|
| SIGNAL 025 | TIN | 1674742-1 | AVSS/CAVS/CAVUS/AVSSH-f 0.3~0.5mm ² |

| PAPER BOX ダンボール箱 | PLASTIC BAG ビニール袋 | TYPE B | NATURAL | 1473413-2 |
|---------------------|----------------------|-----------------|------------|-------------------|
| PAPER BOX ダンボール箱 | PLASTIC BAG ビニール袋 | TYPE A | NATURAL | 1473413-1 |
| OUTER 外装 | INNER 内装 | パネルロックタイプ | COLOR 色 | PART NUMBER 型番 |
| PACKING STYLE 梱包形態 | | PANEL LOCK TYPE | | |

| | | | | |
|--|--|-------------------------------|--|--------------------|
| THIS DRAWING IS A CONTROLLED DOCUMENT FOR TYCO ELECTRONICS CORPORATION IT IS SUBJECT TO CHANGE AND THE CONTROLLING ENGINEERING ORGANIZATION SHOULD BE CONTACTED FOR THE LATEST REVISION. | | DWN N. YASUDA 29AUG2001 | Tyco Electronics AMP K.K. Kawasaki, Japan | |
| DIMENSIONS: 単位: 概 mm | | CHK T. KOHNO 29AUG2001 | NAME 025 G CONNECTOR 24POSITION CAP HOUSING ASSEMBLY | |
| TOLERANCES UNLESS OTHERWISE SPECIFIED: 一般公差 ±0.3 1-PLC ±0.5 2-PLC ±0.3 3-PLC ±0.013 4-PLC ±0.0001 ANGLES ±0°00' | | APVD N. SAI 29AUG2001 | PRODUCT SPEC 108-5787 | RESTRICTED TO - |
| MATERIAL PBT | | FINISH NATURAL | APPLICATION SPEC 取付適用規格 114-5340 | SIZE A2 |
| WEIGHT 5.9g | | CAGE CODE 00779 | DRAWING NO. 1473413 | SHEET 1 OF 1 |
| CUSTOMER DRAWING | | SCALE 2:1 REV B1 | | |

Mouser Electronics

Authorized Distributor

Click to View Pricing, Inventory, Delivery & Lifecycle Information:

[TE Connectivity:](#)

[1473413-1](#)