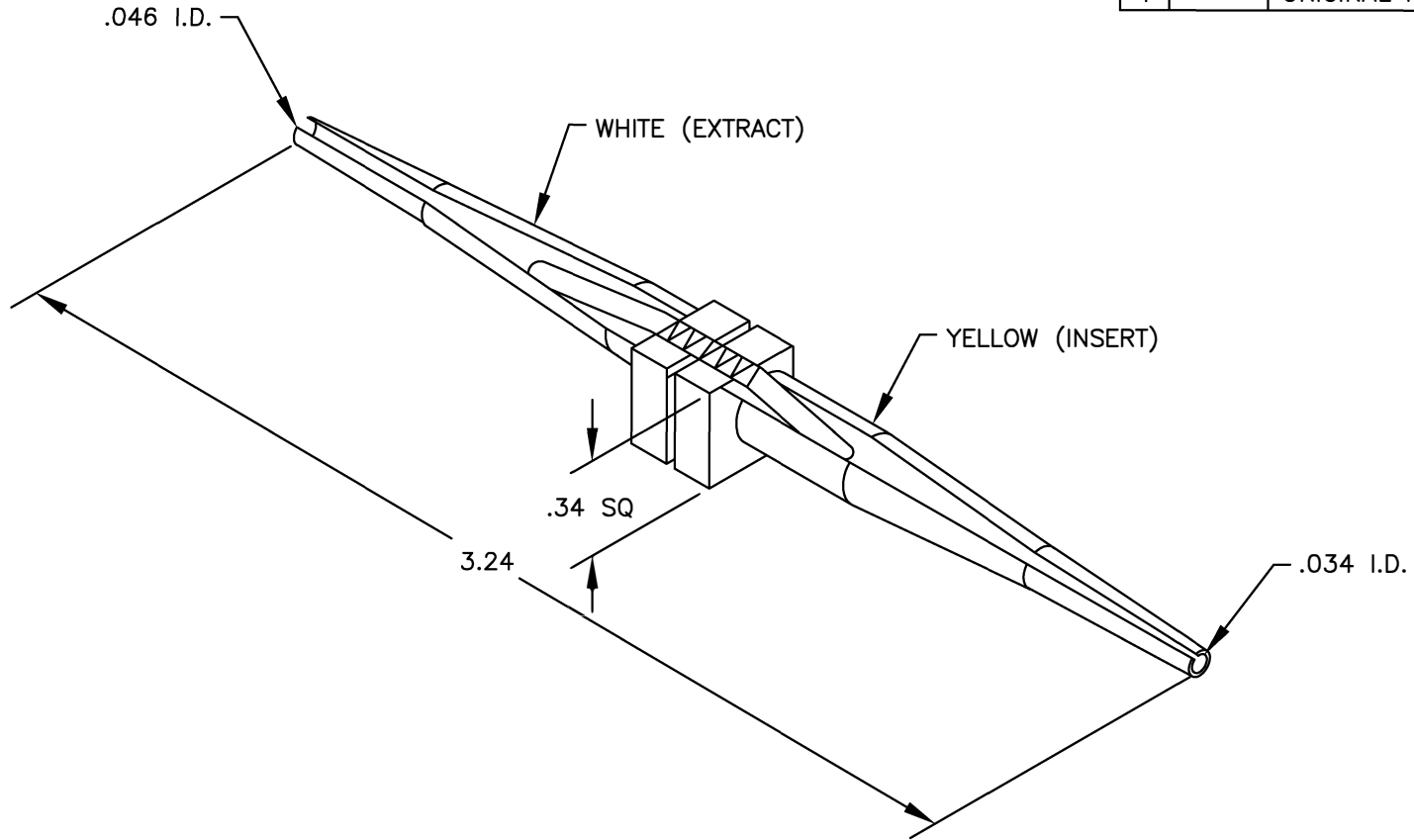



REVISIONS				
REV. SYM.	E.C.O. NUMBER	DESCRIPTION	BY DATE	APP'D DATE
1		ORIGINAL RELEASE	JWJ 7/17/03	RRR 7/17/03



**UNCONTROLLED DOCUMENT
WILL NOT BE UPDATED**

RESTRICTED & CONFIDENTIAL CONFIDENTIAL PROPERTY OF DANIELS MANUFACTURING CORP. NOT TO BE DISCLOSED TO OTHERS, REPRODUCED OR USED FOR ANY OTHER PURPOSE, EXCEPT AS AUTHORIZED IN WRITING BY DANIELS MANUFACTURING. MUST BE RETURNED TO DANIELS MANUFACTURING CORP. ON COMPLETION OF ORDER OR OTHER PURPOSE FOR WHICH LENT.	MATERIAL	ITEM	PART NO.	QTY.	DESCRIPTION/REMARKS
	DATE	DRN.	J. JOYCE	DATE	 DANIELS MANUFACTURING CORP. ORLANDO, FLORIDA CAGE 11851
	HEAT TREAT	CHK'D.	RRR	DATE	
	FINISH	APP'D.		DATE	
	APP'D.		DATE		
DO NOT SCALE DRAWING		NOTE: THIS DRAWING IS AN OUTLINE DRAWING OF THE RESPECTIVE DMC PART NUMBER INDICATED. ACTUAL DMC PART NUMBER IS DRAWING NUMBER WITHOUT THE "-ENV" SUFFIX.		TITLE INSTALLING/REMOVAL TOOL ENVELOPE DRAWING	WHERE USED: SIZE: B SCALE: NTS CAD P/N: M15570-22-1-ENV SHEET OF: 1 1
		POSTING	DWG. NO.		REV.
			M15570-22-1-ENV		1

Mouser Electronics

Authorized Distributor

Click to View Pricing, Inventory, Delivery & Lifecycle Information:

[Daniels Manufacturing:](#)

[M15570-22-1](#)