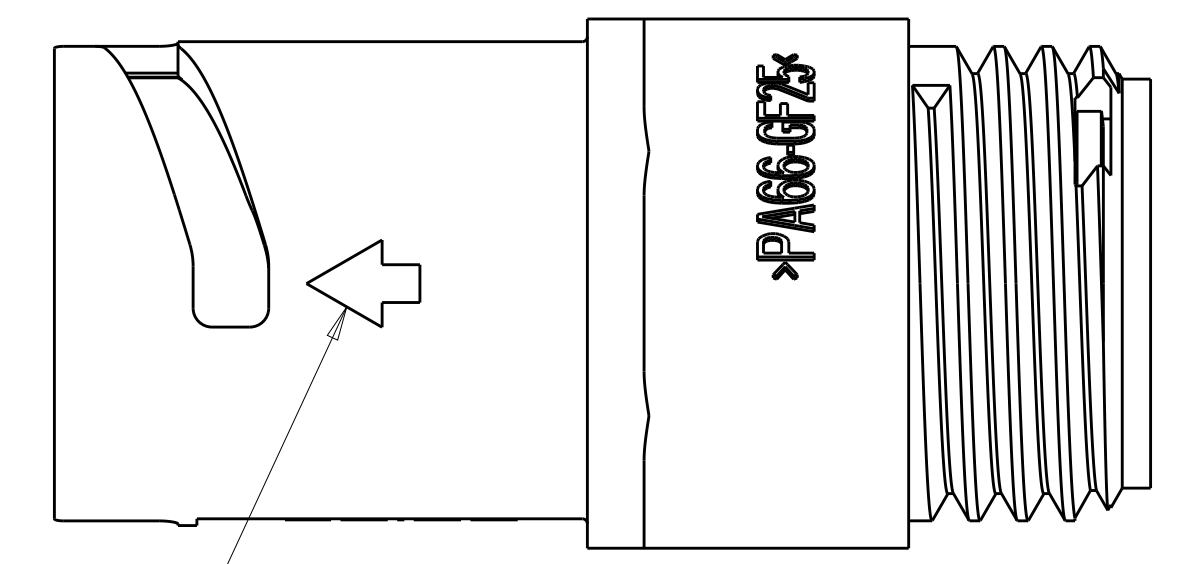
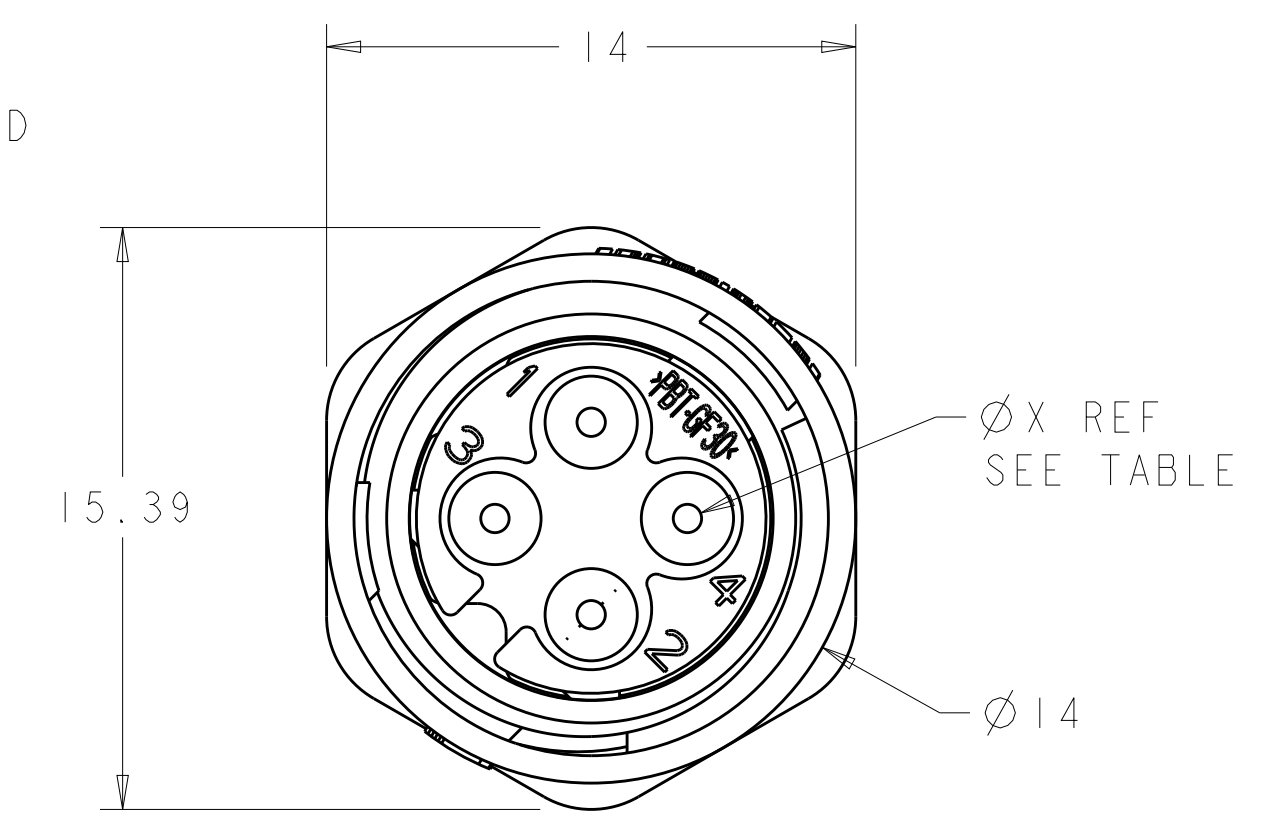
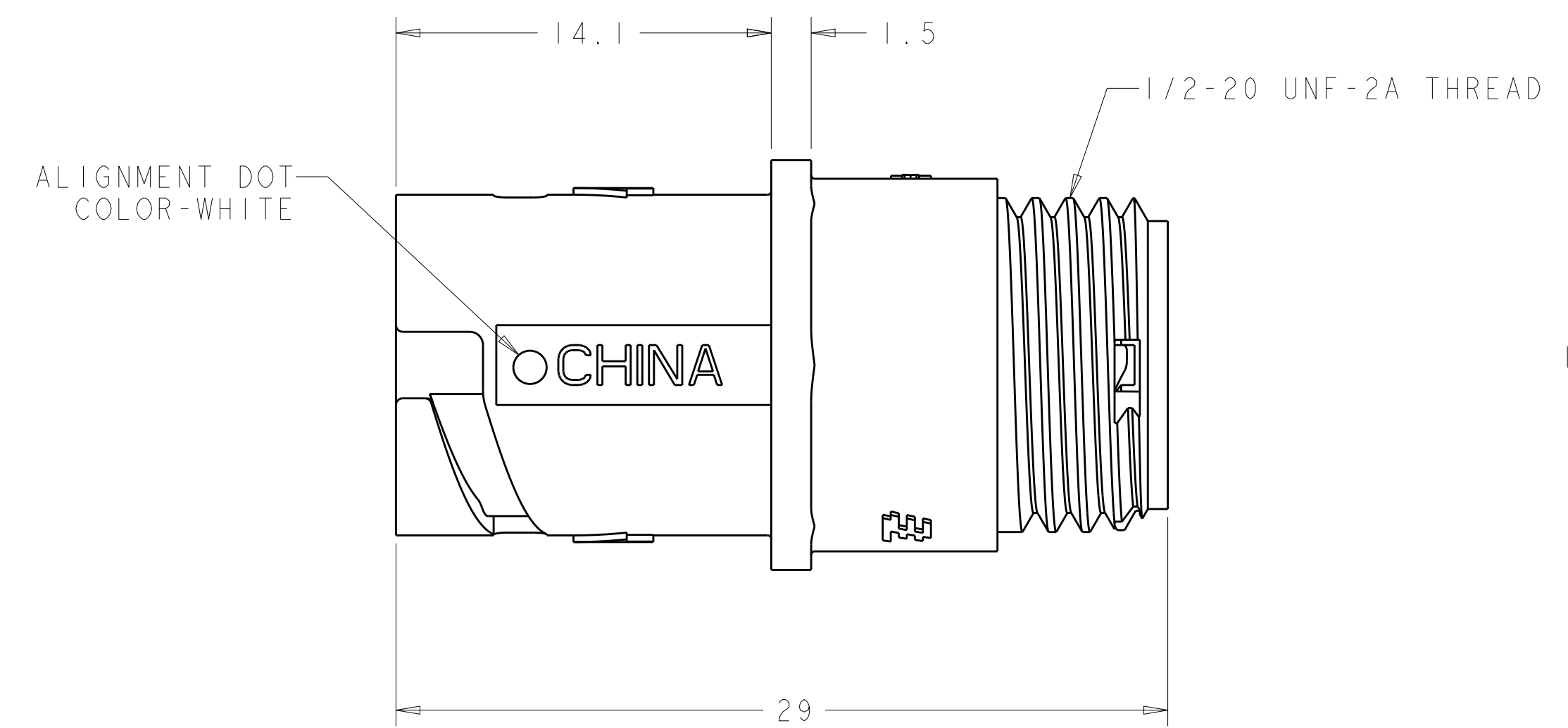
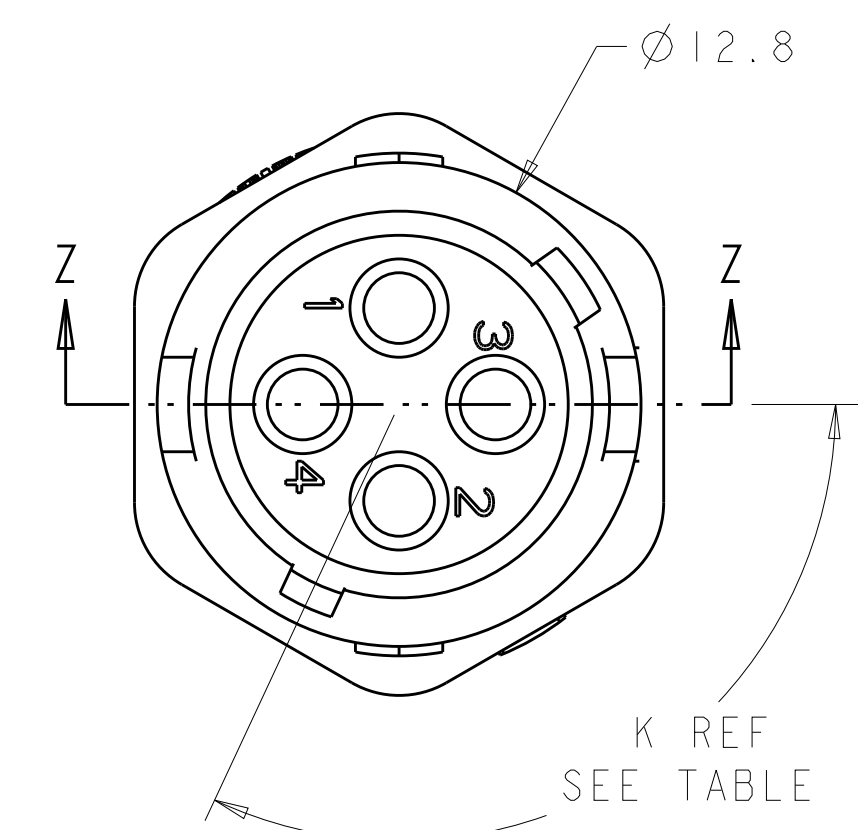


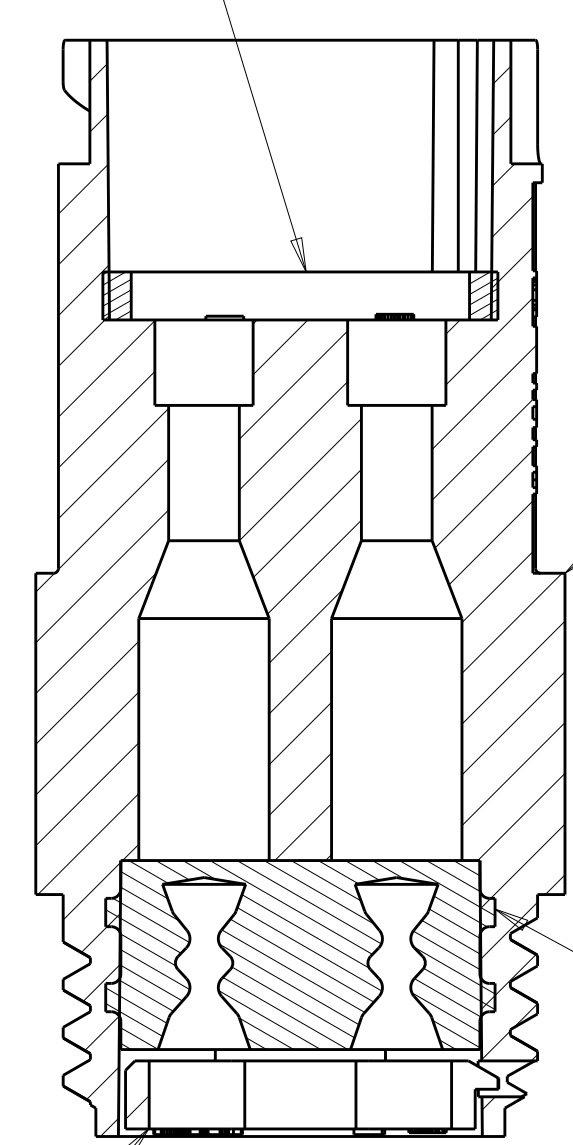
| REVISIONS | | | | |
|-----------|-----|---------------------------|-----------|-------|
| P. | LTN | DESCRIPTION | DATE | APVD |
| B2 | | REVISED PER ECO-15-010004 | 11JUL2015 | NK MZ |
| C | | REVISED PER ECO-16-018352 | 23MAR2017 | RS MZ |



POSITIVE LOCK INDICATOR



SEAL, PERIPHERAL, 1 REQD
 MATERIAL: ELASTOMER, COLOR-GRAY



HOUSING, 1 REQD
 MATERIAL: THERMOPLASTIC, COLOR-BLACK

SEAL, WIRE ENTRY, 1 REQD
 MATERIAL: ELASTOMER, COLOR-SEE TABLE

RETAINER, SEAL, 1 REQD
 MATERIAL: THERMOPLASTIC, COLOR-BLACK

SECTION Z-Z

| | | | | |
|----------|-----------------------|---------|-------|-------------|
| OBSELETE | YELLOW | Ø 0.75 | 130° | 1445389-04 |
| | NATURAL | Ø 1.5 | 115° | 1445389-03 |
| OBSELETE | NATURAL | Ø 1.5 | 130° | 1445389-02 |
| | YELLOW | Ø 0.75 | 115° | 1445389-01 |
| | SEAL WIRE ENTRY COLOR | Ø X REF | K REF | PART NUMBER |

| | | | |
|--|---------------------|---------------------------|--|
| THIS DRAWING IS A CONTROLLED DOCUMENT. | | OWN: G. DOUTY 01MAR2001 | TE TE Connectivity |
| DIMENSIONS: mm | | CHK: H. WAKEEM 12JUN2003 | |
| TOLERANCES UNLESS OTHERWISE SPECIFIED: | | APVD: H. WAKEEM 12JUN2003 | NAME: ASSEMBLY, RECEPTACLE, SIZE 8, 4 POSITION, FREE HANGING, SEALED, MINI CPC |
| 0 PLC ± | 1 PLC ± | PRODUCT SPEC | SIZE: CAGE CODE DRAWING NO |
| 2 PLC ± | 3 PLC ± | APPLICATION SPEC | RESTRICTED TO |
| 4 PLC ±0.13 | ANGLES ± | WEIGHT | A100779C=1445389 |
| MATERIAL: SEE CALLOUT | FINISH: SEE CALLOUT | CUSTOMER DRAWING | SCALE: 5:1 SHEET 1 OF 1 REV C |

Mouser Electronics

Authorized Distributor

Click to View Pricing, Inventory, Delivery & Lifecycle Information:

[TE Connectivity:](#)

[1445389-3](#)