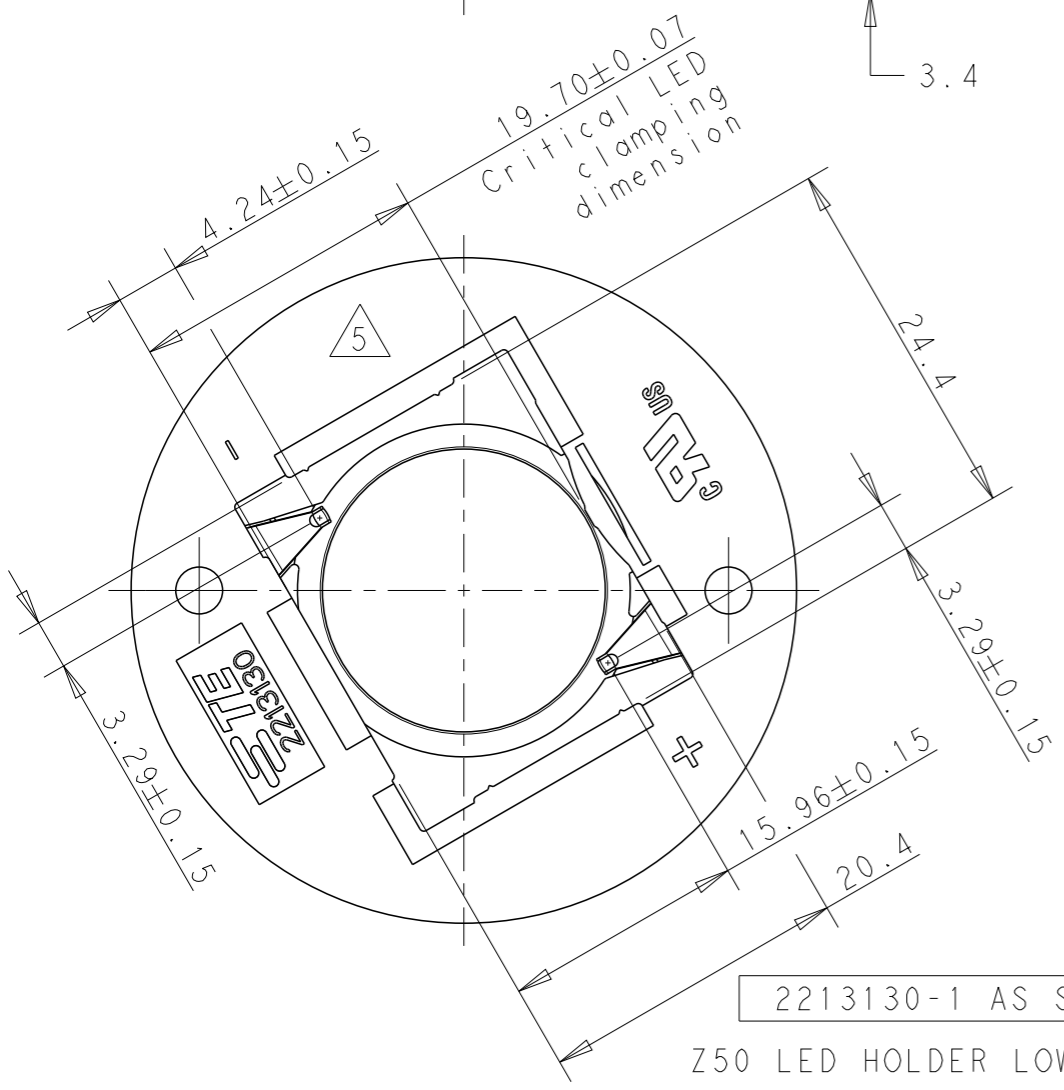
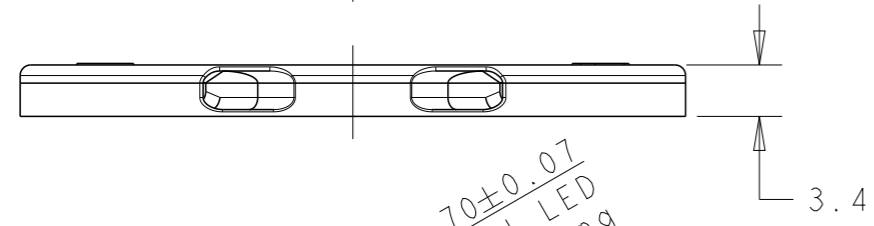
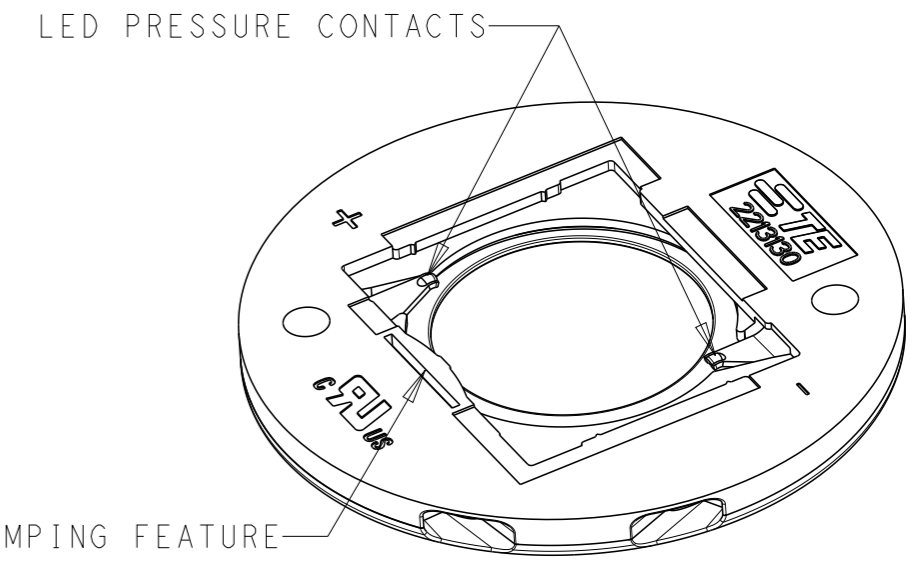
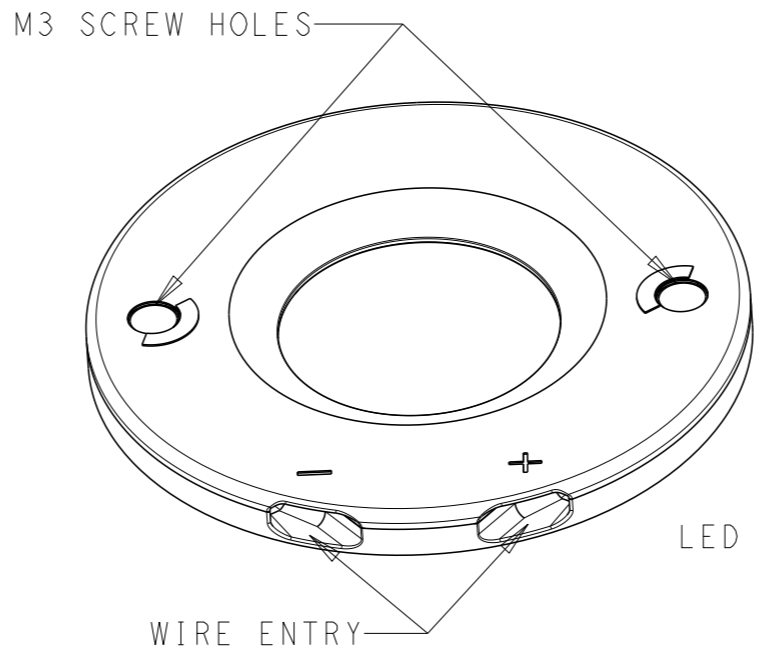
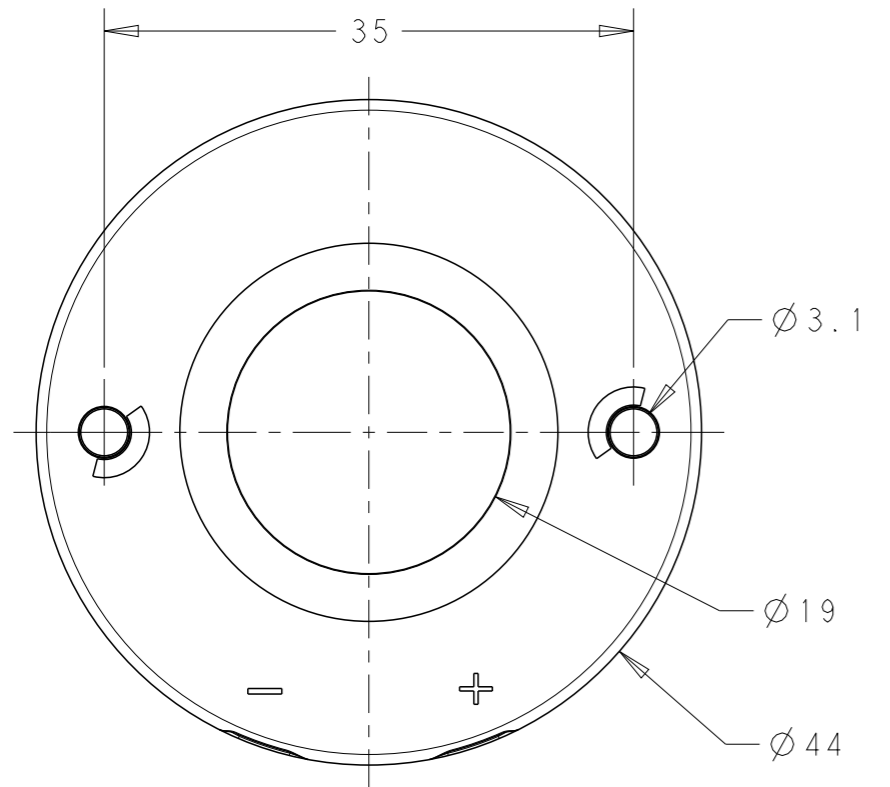


THIS DRAWING IS UNPUBLISHED. RELEASED FOR PUBLICATION 20
 © COPYRIGHT 20 BY - ALL RIGHTS RESERVED.

REVISIONS					
P	LTR	DESCRIPTION	DATE	DWN	APVD
	J	REVISED PER ECR-19-003623	13MAR2019	JS	DD



- NOTES:
- MATERIALS:
 HOUSING: GLASS FILLED PBT, HALOGEN FREE FLAME RETARDANT
 COLOR: NATURAL/WHITE
 CONTACTS: SILVER PLATED COPPER ALLOY
 - FOR SOLID AND STANDARD WIRE AWG 22-18
 - COMPLIES WITH DIRECTIVE 2002/95/EC (ROHS)
 - M3 SCREW TO BE USED FOR MOUNTING
 - DATE CODE YY-WW-D ANY WHERE EXCEPT OVER LOGO OR +/- SIGN.

PART NO	DESCRIPTION	PACKAGING
2-2213130-1	Z50 LED HOLDER LOW PROFILE 2024	2x10 PIECES IN TRAY AND BOX 25 BOXES IN SHIPPING BOX
1-2213130-2	Z50 LED HOLDER STANDARD PROFILE 2024	2x10 PIECES IN TRAY AND BOX 25 BOXES IN SHIPPING BOX
1-2213130-1	Z50 LED HOLDER LOW PROFILE 2024	2x10 PIECES IN TRAY AND BOX 25 BOXES IN SHIPPING BOX
2213130-2	Z50 LED HOLDER STANDARD PROFILE 2024	5x4 PIECES IN TRAY 25 TRAYS IN SHIPPING BOX
2213130-1	Z50 LED HOLDER LOW PROFILE 2024	5x4 PIECES IN TRAY 35 TRAYS IN SHIPPING BOX

THIS DRAWING IS A CONTROLLED DOCUMENT.		DWN M.V.ESSSEN 28AUG2013	TE Connectivity	
DIMENSIONS: mm		CHK M.V.ESSSEN 28AUG2013		
TOLERANCES UNLESS OTHERWISE SPECIFIED:		APVD O.I.FIUNSE 28AUG2013	NAME LUMAWISE Z50 LED HOLDER 2024	
0 PLC ±- 1 PLC ±- 2 PLC ±- 3 PLC ±- 4 PLC ±- ANGLES ±-		PRODUCT SPEC 108-133008	RESTRICTED TO	
MATERIAL		APPLICATION SPEC 114-32048	SIZE A3	CAGE CODE 00779
FINISH		WEIGHT	DRAWING NO C-2213130	REV J
		CUSTOMER DRAWING	SCALE 2:1	SHEET 1 OF 3

THIS DRAWING IS UNPUBLISHED.

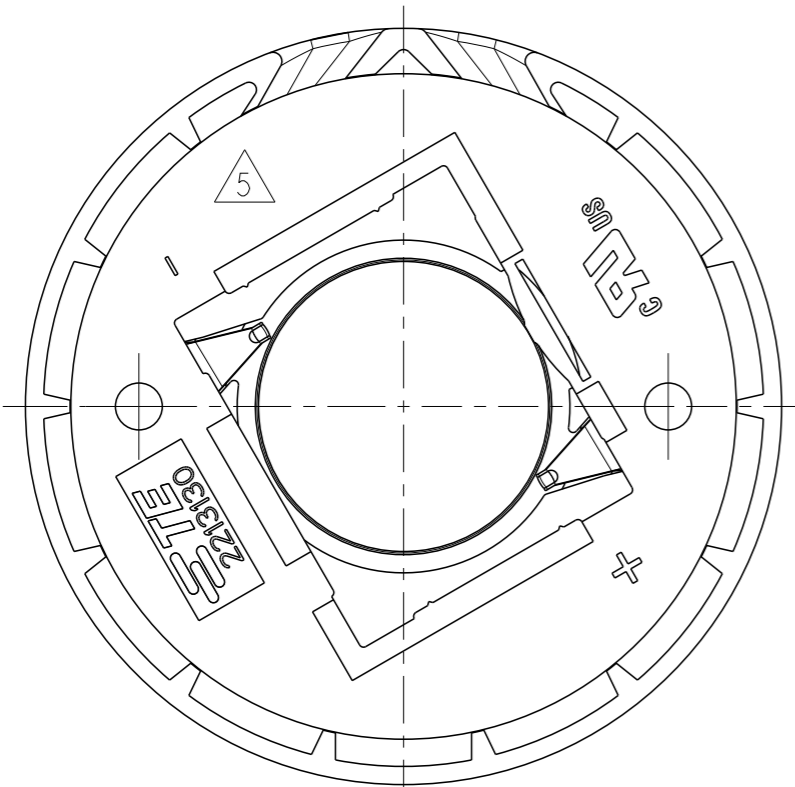
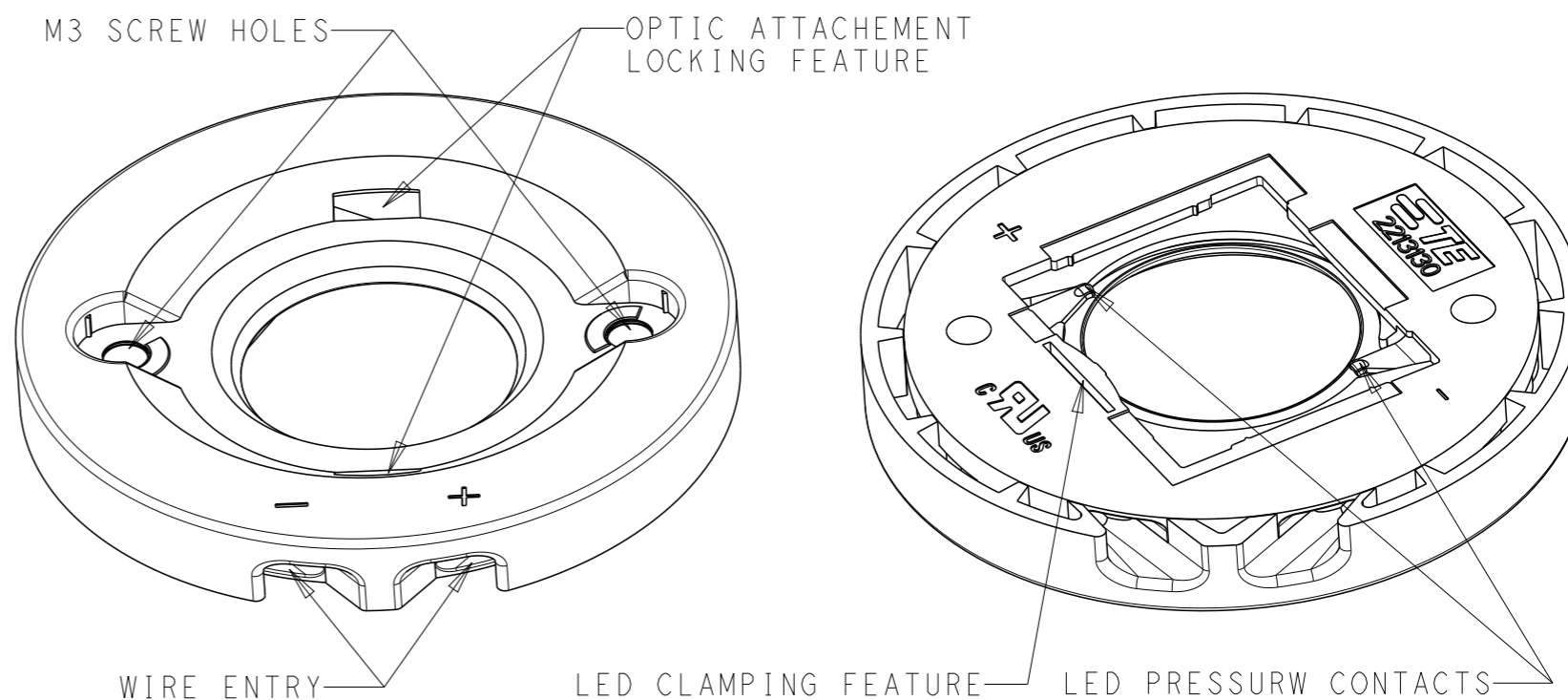
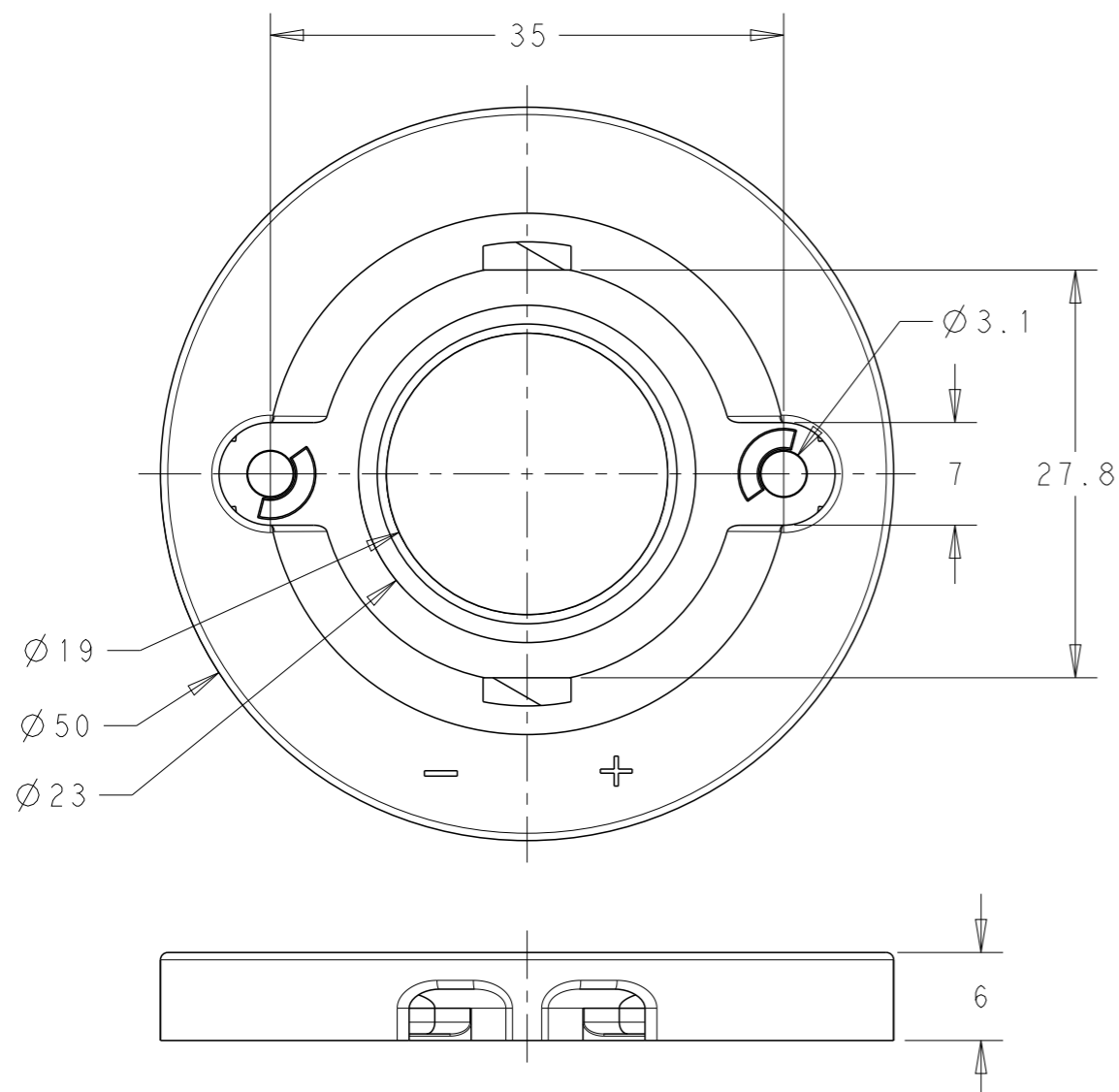
RELEASED FOR PUBLICATION

20

© COPYRIGHT 20 BY - ALL RIGHTS RESERVED.



REVISIONS

P	LTR	DESCRIPTION	DATE	DWN	APVD
-	-	SEE SHEET 1	-	-	-



2213130-2 AS SHOWN

Z50 LED HOLDER STANDARD PROFILE

THIS DRAWING IS A CONTROLLED DOCUMENT.		DWN M.V.ESSSEN 28AUG2013	 TE Connectivity		
DIMENSIONS: mm		CHK M.V.ESSSEN 28AUG2013			NAME LUMAWISE Z50 LED HOLDER 2024
		APVD O.I.FIJNSE 28AUG2013			
TOLERANCES UNLESS OTHERWISE SPECIFIED:		PRODUCT SPEC 108-133008	APPLICATION SPEC 114-32048	RESTRICTED TO	
MATERIAL		WEIGHT	SIZE A3	CAGE CODE 00779	DRAWING NO C-2213130
FINISH		CUSTOMER DRAWING	SCALE 2:1	SHEET 2 OF 3	REV J

4

3

2

1

THIS DRAWING IS UNPUBLISHED.

RELEASED FOR PUBLICATION

20

© COPYRIGHT 20

BY -

ALL RIGHTS RESERVED.

REVISIONS

P	LTR	DESCRIPTION	DATE	DWN	APVD
	-	SEE SHEET 1	-	-	-

THE SKETCH BELOW IS SHOWING THE NOMINAL LED COB DIMENSION TO MATCH WITH THE Z50 LED HOLDER 2024

FOR TECHNICAL DETAILS ABOUT A PROPER MATCH WITH A SPECIFIC LED COB ARRAY PLEASE CONTACT A REPRESENTATIVE AT TE-CONNECTIVITY

CONTACT POINT LOCATION

RELEASED LEDs

NAME	TYPE	DATA SHEET	REVISION	TE PART NUMBER
LUMILEDS	1204	DS115	20130614	2213130-1/-2
LUMILEDS	1205	DS115	20130614	2213130-1/-2
LUMILEDS	1208	DS115	20130614	2213130-1/-2
LUMILEDS	1204 CRSP	DS138	20140703	2213130-1/-2
LUMILEDS	1205 CRSP	DS138	20140703	2213130-1/-2
LUMILEDS	1208 CRSP	DS138	20140703	2213130-1/-2
LUMILEDS	1204 GEN 3	DS162	20161102	2213130-1/-2
LUMILEDS	1205 GEN 3	DS162	20161102	2213130-1/-2
LUMILEDS	1208 GEN 3	DS162	20161102	2213130-1/-2

THIS DRAWING IS A CONTROLLED DOCUMENT.

DWN M.V.ESSEN 28AUG2013

CHK M.V.ESSEN 28AUG2013

APVD O.I.FIJNSE 28AUG2013

STE

TE Connectivity

DIMENSIONS:

mm

TOLERANCES UNLESS OTHERWISE SPECIFIED:

0 PLC	±-
1 PLC	±-
2 PLC	±-
3 PLC	±-
4 PLC	±-
ANGLES	±-

PRODUCT SPEC

108-133008

APPLICATION SPEC

114-32048

WEIGHT

-

NAME

LUMAWISE Z50 LED HOLDER 2024

SIZE

CAGE CODE

DRAWING NO

RESTRICTED TO

A3

00779

C-2213130

-

CUSTOMER DRAWING

SCALE 2:1

SHEET 3 OF 3

REV J

1470-19 (3/13)