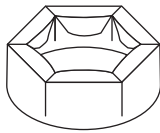
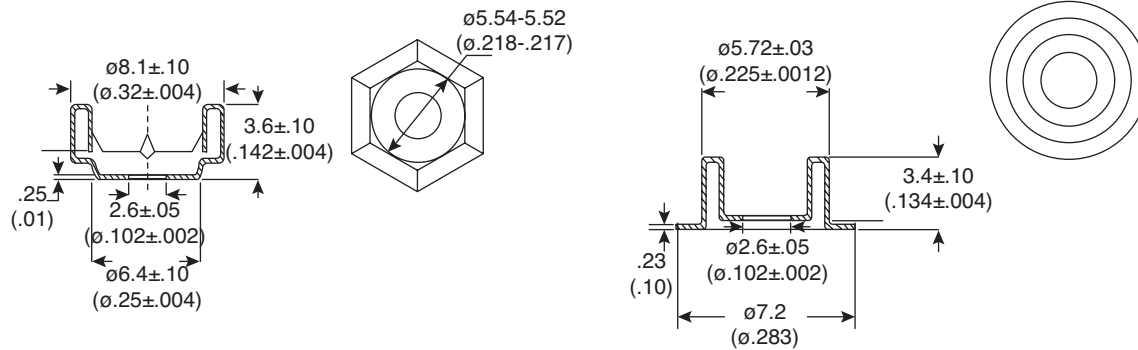
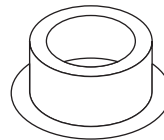


12BC269-GR
Female Snap



12BC261-GR
Male Snap



Dimensions: mm (in)

SPECIFICATIONS	
Type:	9V
Material:	Nickel plated brass
RoHS Compliant	

Note: 12BC269-GR has 6 Prongs.

Mouser Electronics

Authorized Distributor

Click to View Pricing, Inventory, Delivery & Lifecycle Information:

[Eagle Plastic Devices:](#)

[12BC269-GR](#) [12BC261-GR](#)