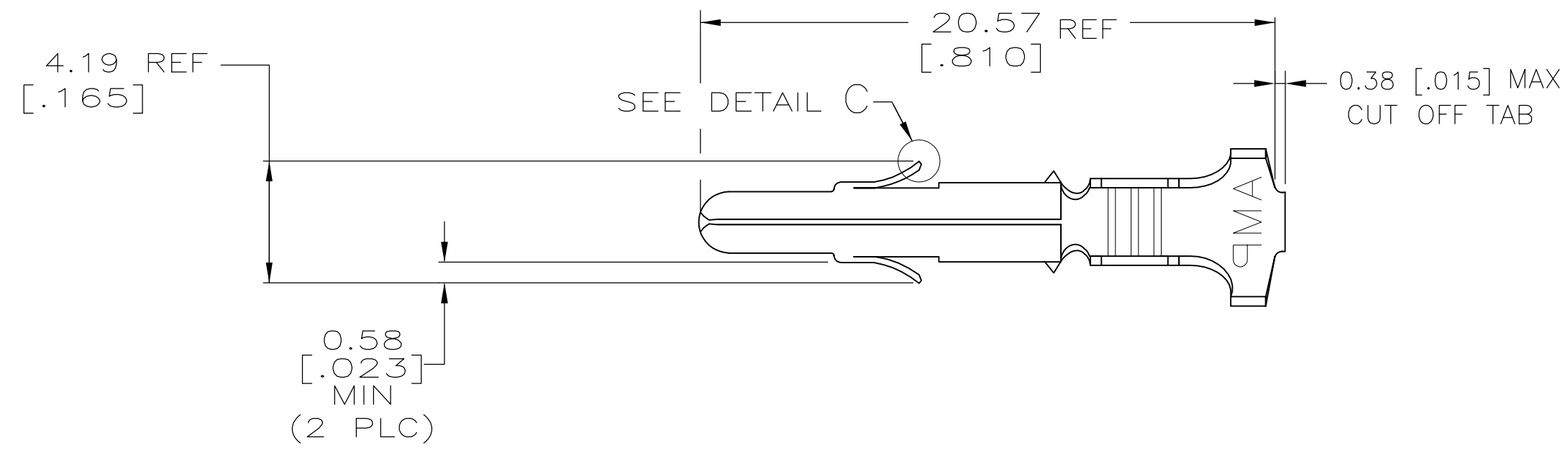
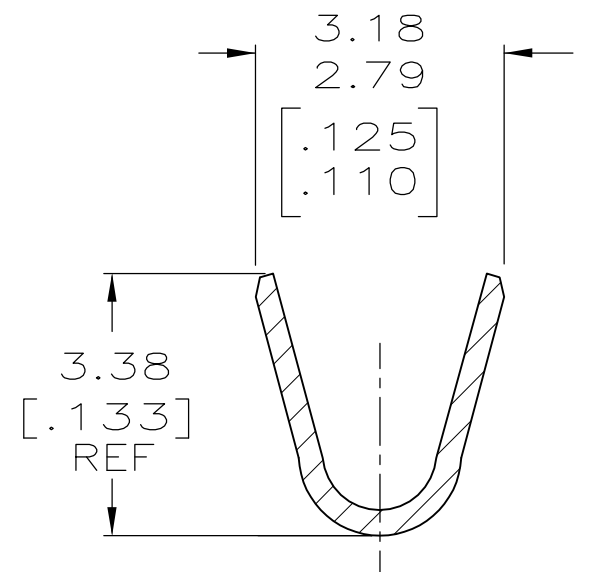
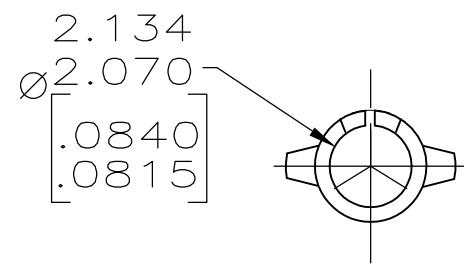
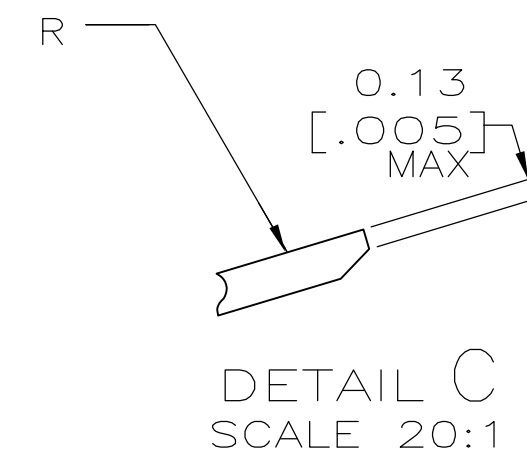
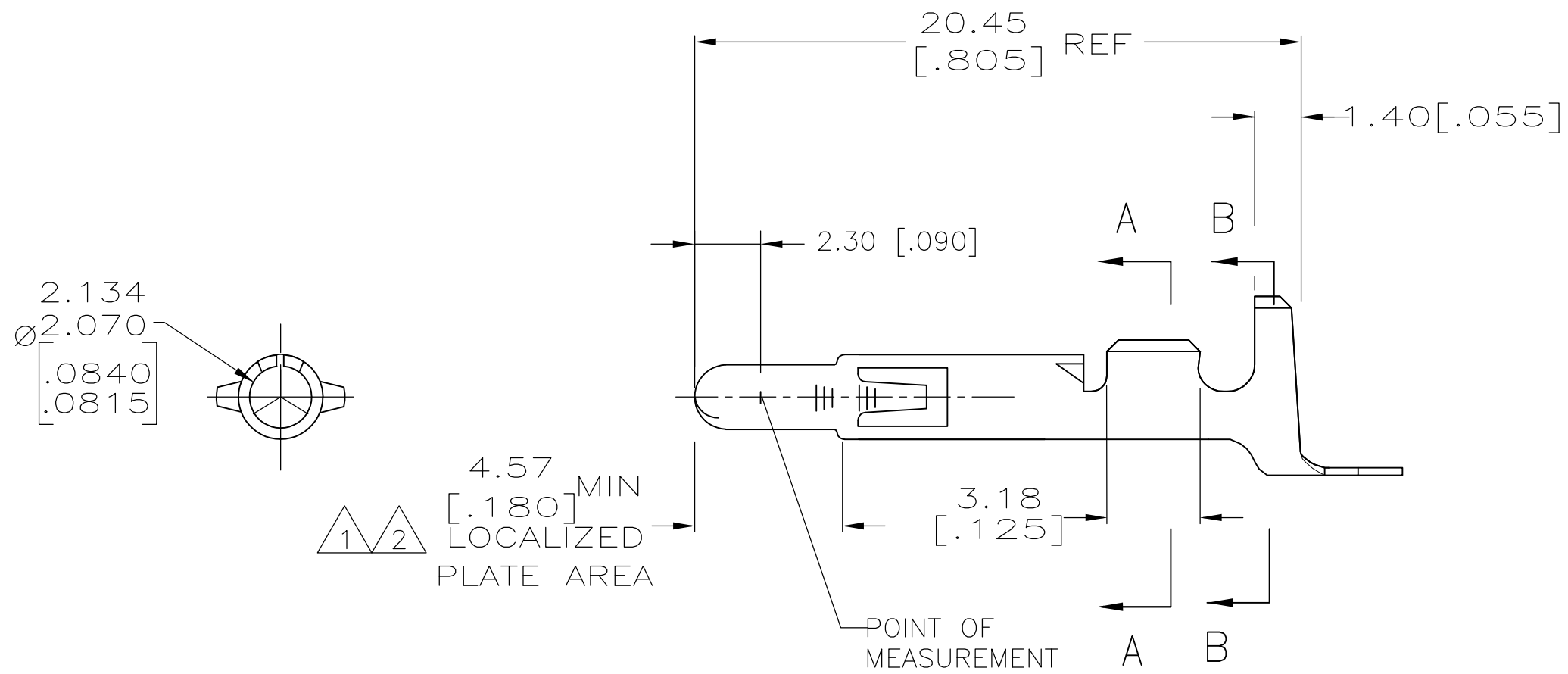


THIS DRAWING IS UNPUBLISHED. RELEASED FOR PUBLICATION  
 © COPYRIGHT - By - ALL RIGHTS RESERVED.

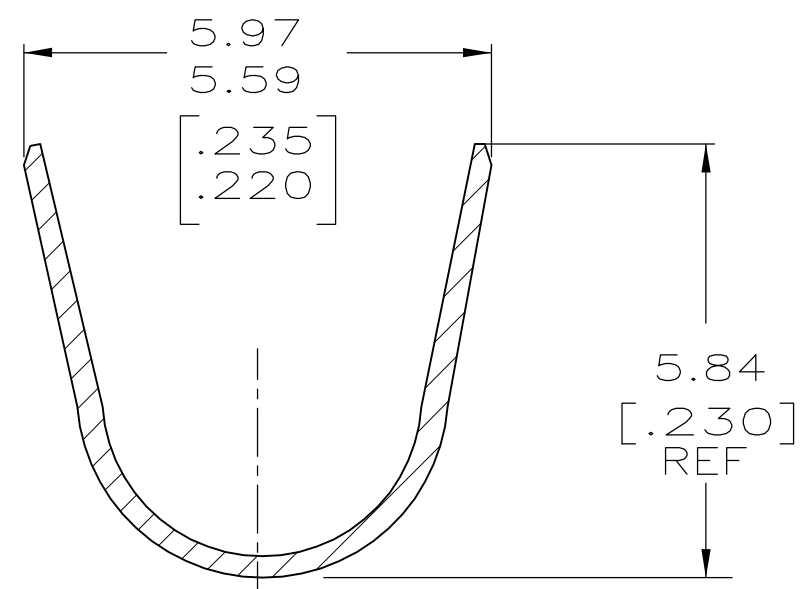
LOC		DIST		REVISIONS			
P	LTR	DESCRIPTION	DATE	DWN	APVD		
CM	00						
	T	REVISED PER ECR-12-013323	09AUG12	KH	TM		
	T1	REVISED PER ECR-14-001607	11FEB14	AV	GK		



- 1 PLATED WITH 0.00076[.000030] GOLD OVER 0.00127[.000050] MIN THK NICKEL UNDERPLATE.
- 2 GOLD OVER NICKEL ON ENTIRE STAMPING; 0.00076[.000030] GOLD MINIMUM AT OINT OF MEASUREMENT IN CONTACT AREA, GOLD FLASH MINIMUM IN WIRE BARREL.
- 3 DIMENSIONS IN BRACKETS ARE IN INCHES.
- 4 WIRE RANGE: 20-14 AWG  
INSULATION RANGE : 3.30-5.08 [.130-.200] DIA.



SECTION A-A  
SCALE 10:1



SECTION B-B  
SCALE 10:1

FINISH	MATERIAL	PART NO
GOLD 2	0.30 [.012] BRASS	350552-7
GOLD 2	0.30 [.012] PH BZ	350552-6
TIN	0.30 [.012] PH BZ	350552-3
GOLD 1	0.30 [.012] BRASS	350552-2
TIN	0.30 [.012] BRASS	350552-1

THIS DRAWING IS A CONTROLLED DOCUMENT.

DWN K. WHITAKER 12NOV2004	TE Connectivity PIN, (LOOSE PIECE), UNIVERSAL MATE-N-LOK™
CHK S. RIDGILL 12NOV2004	
APVD S. RIDGILL 12NOV2004	
PRODUCT SPEC	
APPLICATION SPEC	SIZE A2
WEIGHT -	CAGE CODE 00779
CUSTOMER DRAWING	DRAWING NO C=350552
SCALE 5:1	SHEET 1 OF 1
REV T1	RESTRICTED TO -

# Mouser Electronics

Authorized Distributor

Click to View Pricing, Inventory, Delivery & Lifecycle Information:

[TE Connectivity:](#)

[350552-1](#)