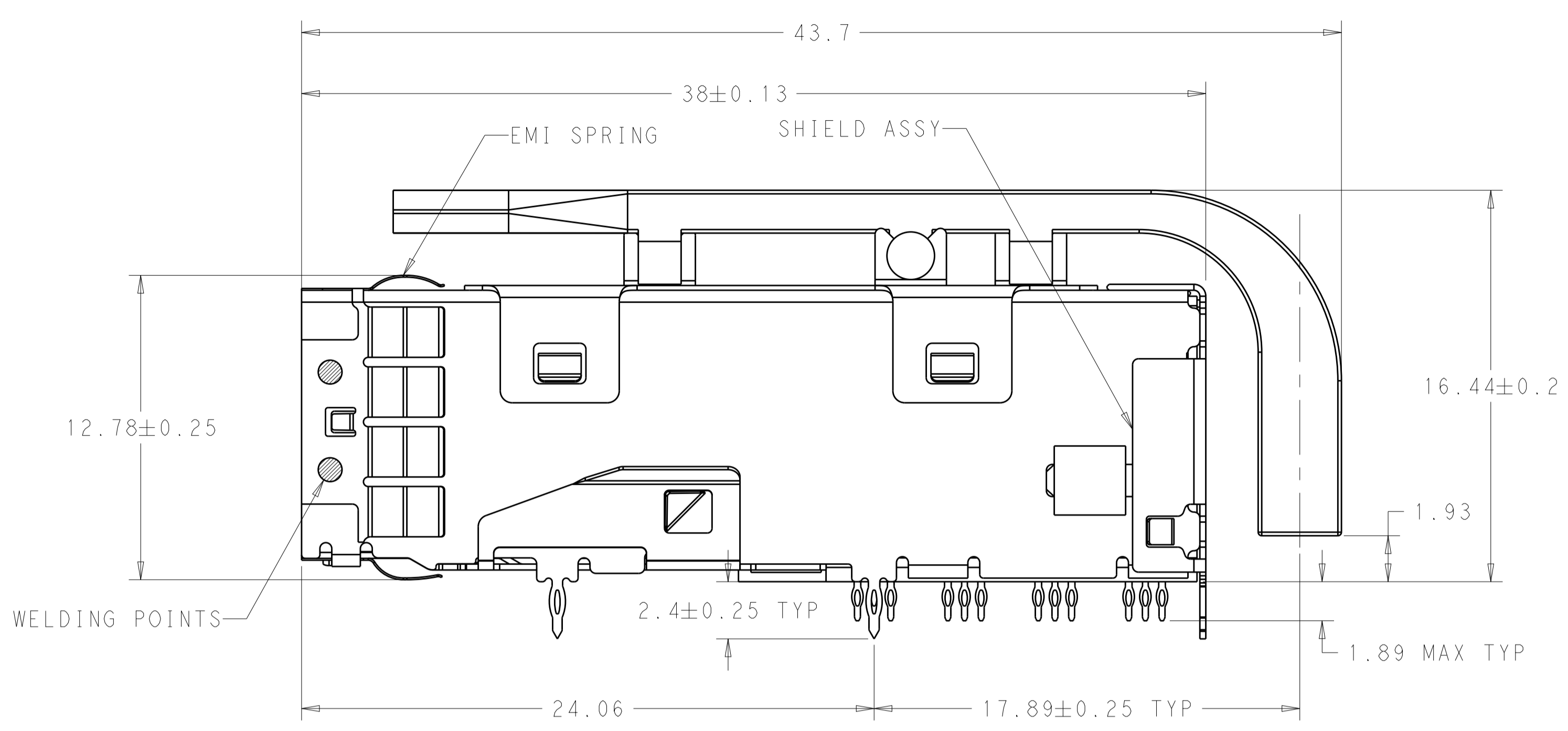
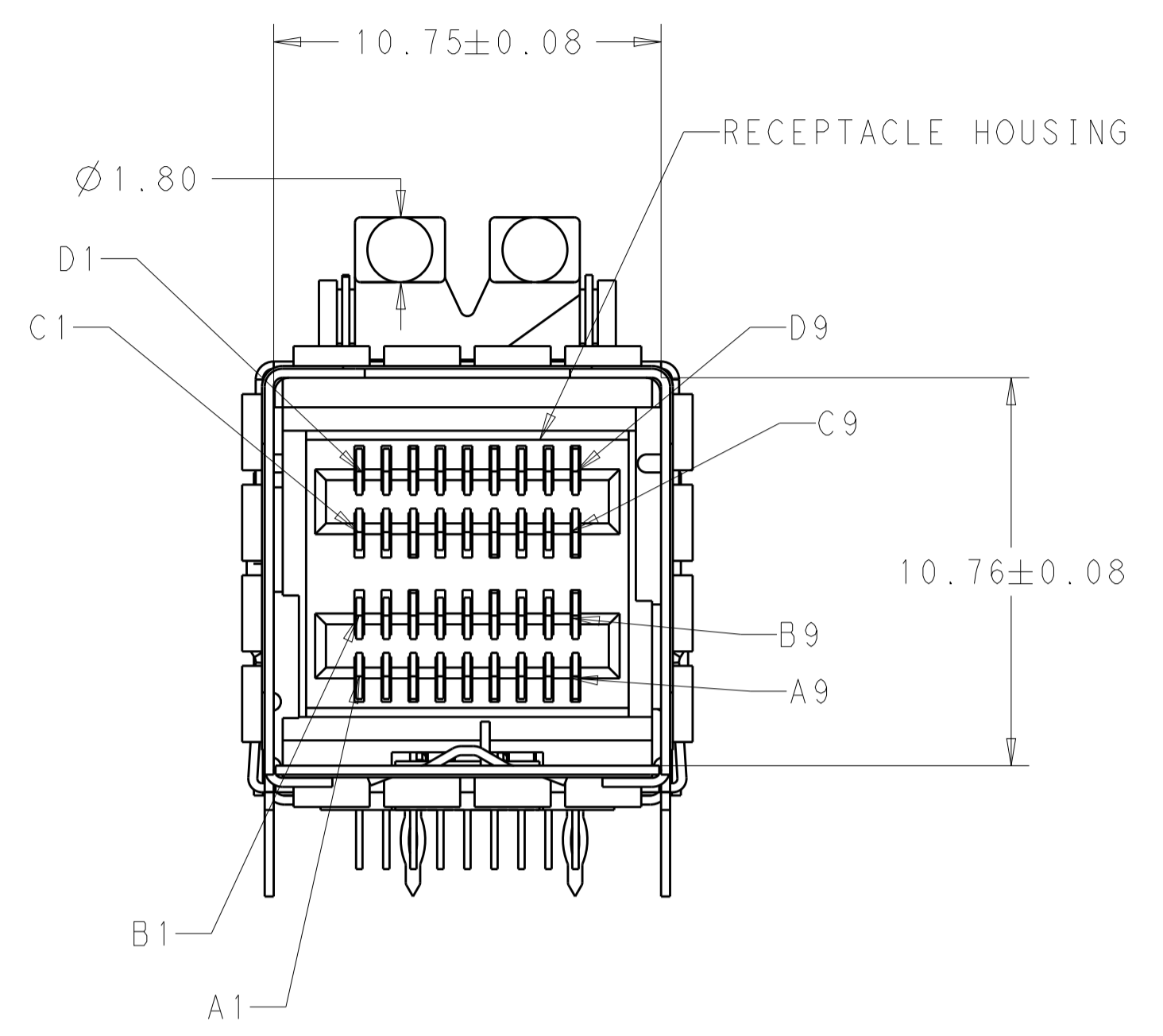
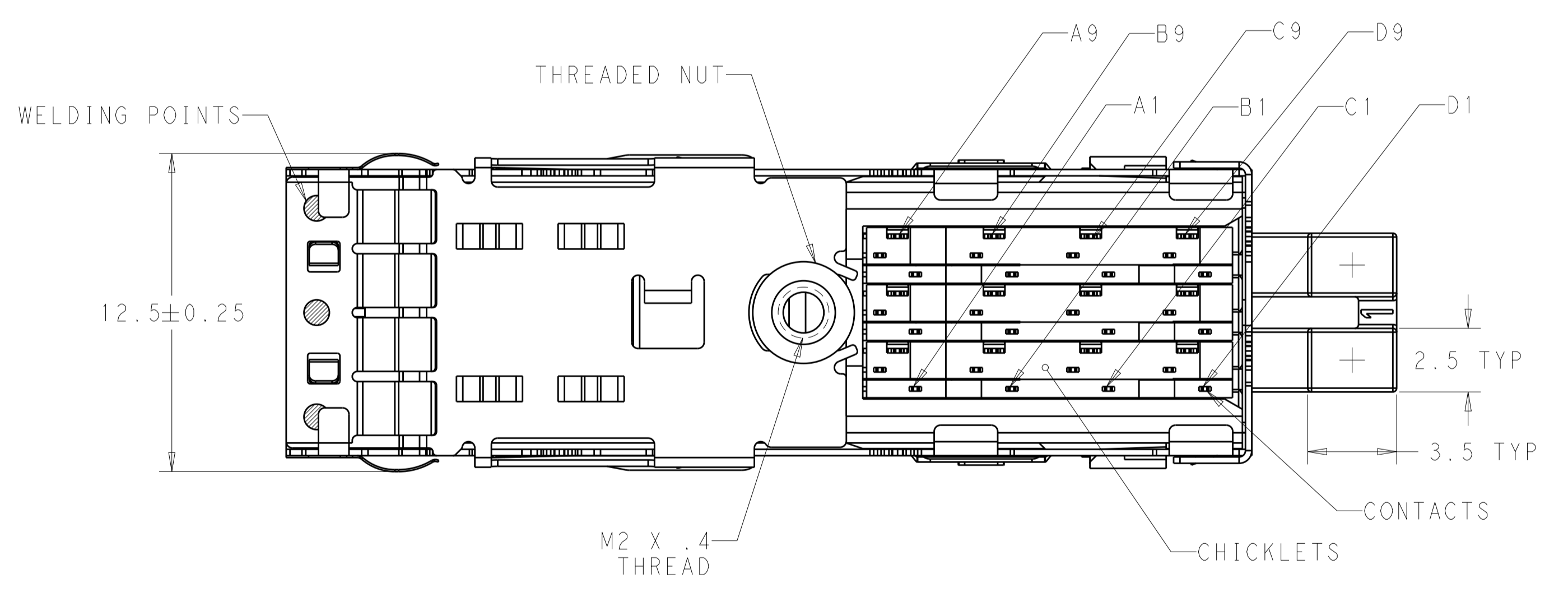


LOC	DIST	REVISIONS			
P	LTN	DESCRIPTION	DATE	DWN	APVD
A		REVISED PER ECO-14-018497	17DEC2014	AP	DG
B		REVISED PER ECO-15-013728	23SEP2015	JY	SH
C		REVISED PER ECO-15-013876	16MAY2016	JY	SH



- 1. MATERIALS**
 RECEPTACLE HOUSING: LCP, BLACK, UL94V-0 RATED
 SHIELD ASSY: NICKEL-SILVER COPPER ALLOY
 CONTACTS: COPPER ALLOY
 EMI SPRING: COPPER ALLOY
 THREADED NUT: BRASS
 CHICKLETS: LCP, BLACK, UL 94V-0 RATED
 LIGHTPIPE CLIP: STAINLESS STEEL
 LIGHTPIPE: POLYCARBONATE
 - 2. FINISH**
 EMI SPRING: TIN PLATE OVER NICKEL PLATE
 NON-PLATED EDGES PERMISSABLE
 THREADED NUT: NICKEL PLATE
- △ CONTACT FINISH: CONFORMS TO THE REQUIREMENTS OF TE PRODUCT SPECIFICATION, 108-2399. BASED ON EIA/ECA-364-1000.01A. (CONTROLLED ENVIRONMENT APPLICATIONS) ON MATING END. TIN PLATED ON PCB TAIL
4. THREAD LENGTH OF FASTENER = PCB THICKNESS+1.45 MAX
- △ RECOMMENDED TRACE KEEP OUT ZONE

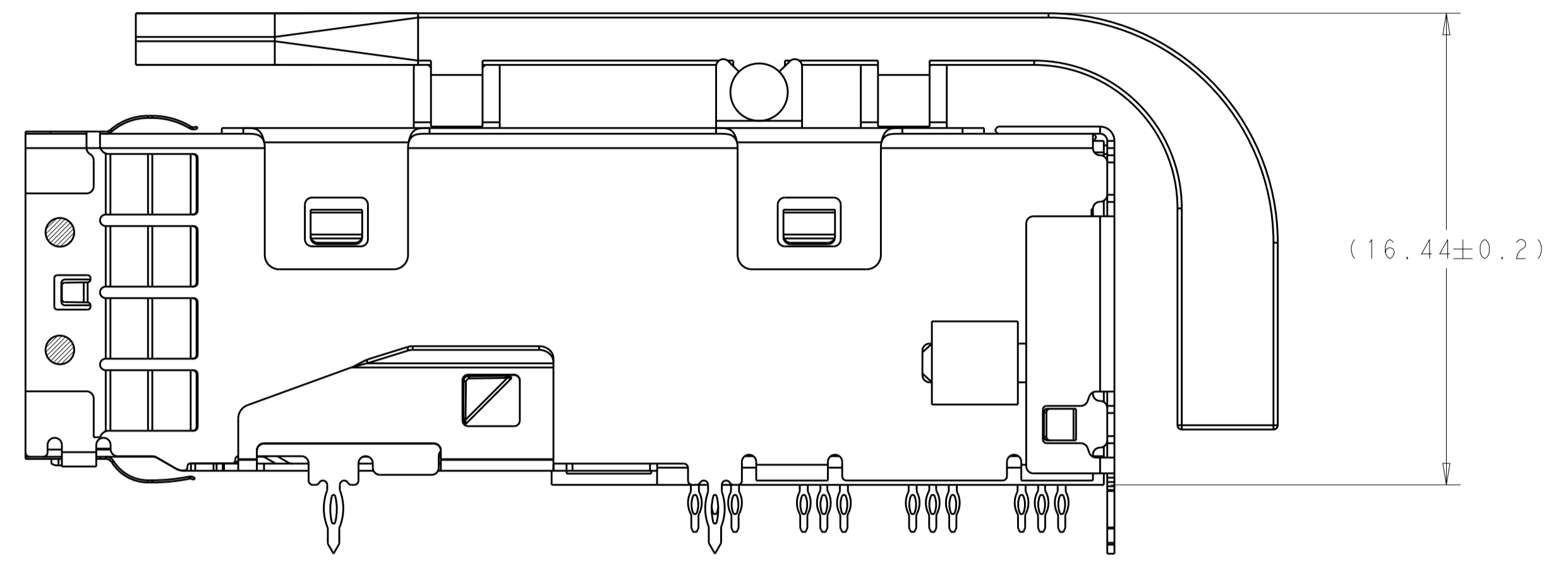


2198484-1 AS SHOWN

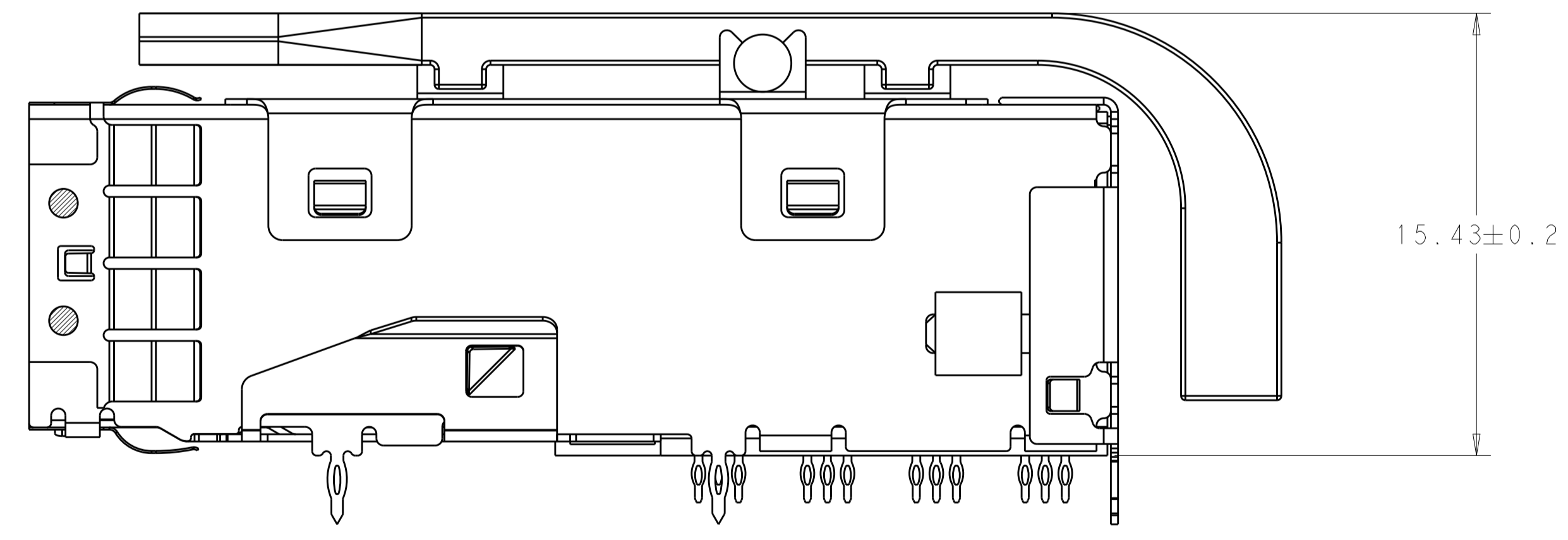
LOWER HEIGHT	14.53	2198484-2
STANDARD HEIGHT	15.54	2198484-1
LIGHT PIPE	H HOLE HIGHT OF LP	PART NUMBER

THIS DRAWING IS A CONTROLLED DOCUMENT.		DWN: J. SECHRIST 15NOV2011	
DIMENSIONS: mm		CHK: J. SECHRIST 15NOV2011	
TOLERANCES UNLESS OTHERWISE SPECIFIED: 0 PLC ± 1 PLC ±0.25 2 PLC ±0.13 3 PLC ± 4 PLC ± ANGLES ± FINISH		PRODUCT SPEC: 108-2462 APPLICATION SPEC: 114-13316 WEIGHT:	NAME: RECEPTACLE ASSEMBLY, MINI-SAS HD, 1X W/ LIGHT PIPES SIZE: A1 CAGE CODE: 00779 DRAWING NO: C=2198484 RESTRICTED TO:
MATERIAL:		Customer Drawing	SCALE: 6:1 SHEET 1 OF 4 REV C

LOC		DIST		REVISIONS			
P	LTN	DESCRIPTION	DATE	DWN	APVD		
A		REVISED PER ECO-14-018497	17DEC2014	AP	DG		



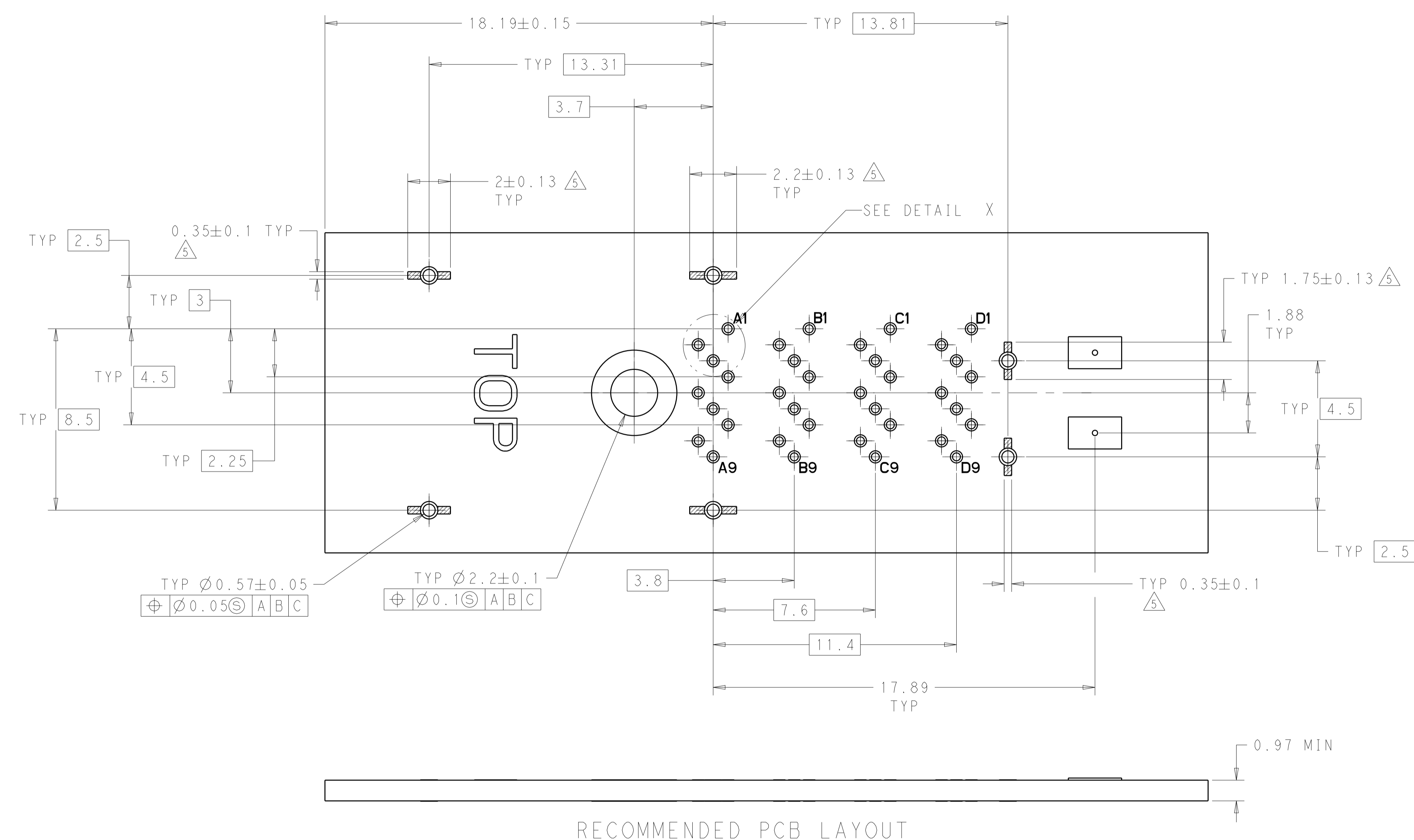
2198484-1 AS SHOWN
 SCALE 6:1



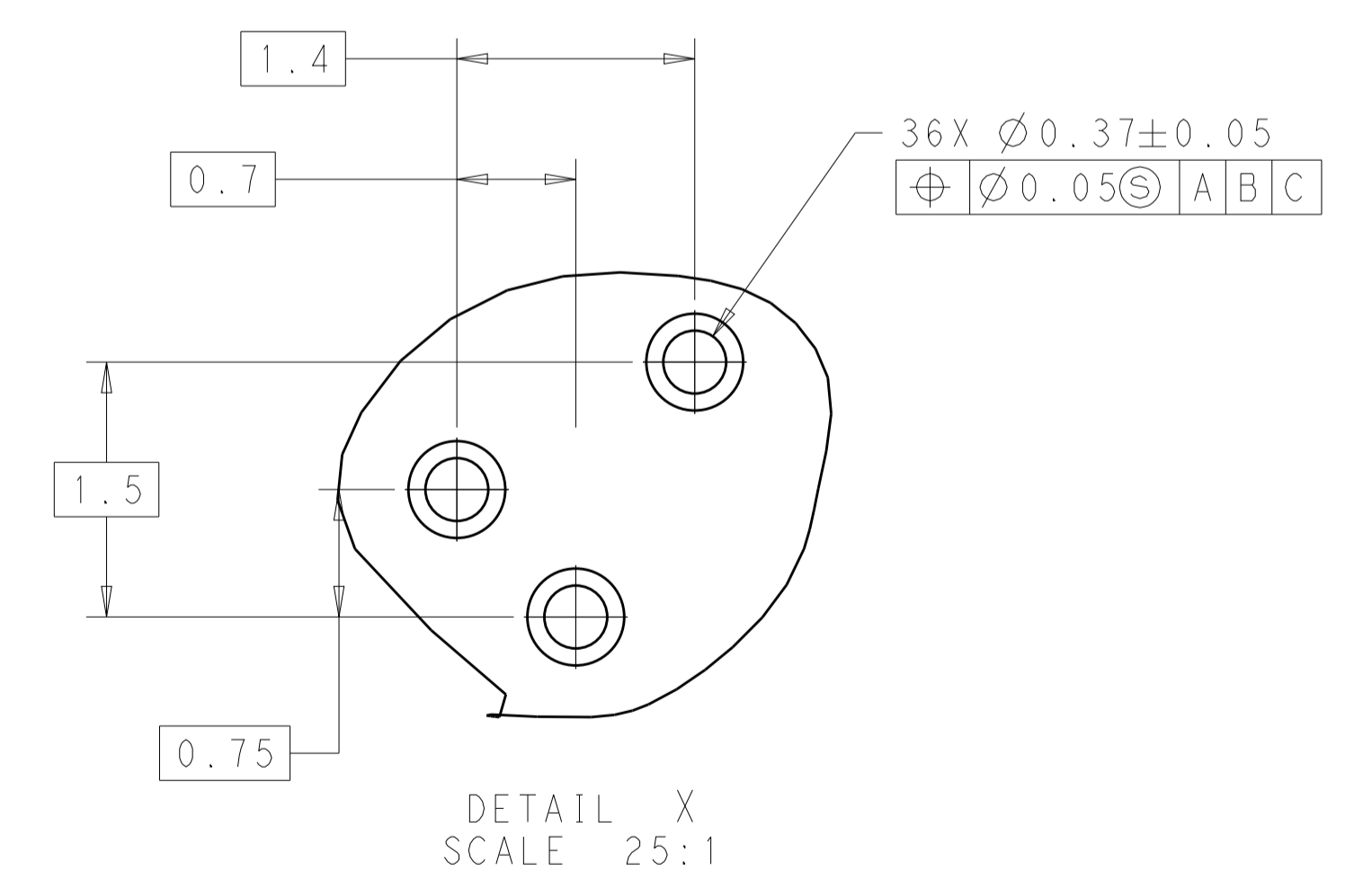
2198484-2 AS SHOWN
 UNSPECIFIED DIMENSIONS ARE SAME AS 2198484-1
 SCALE 6:1

THIS DRAWING IS A CONTROLLED DOCUMENT.		DWN	J. SECHRIST	15NOV2011	
		CHK	J. SECHRIST	15NOV2011	
DIMENSIONS:		TOLERANCES UNLESS OTHERWISE SPECIFIED:		NAME	
mm	0 PLC ±	PRODUCT SPEC		RECEPTACLE ASSEMBLY,	
	1 PLC ±0.25	108-2462		MINI-SAS HD, 1X	
	2 PLC ±0.13	APPLICATION SPEC		W/ LIGHT PIPES	
	3 PLC ±	SIZE	CAGE CODE	DRAWING NO	RESTRICTED TO
	4 PLC ±	114-13316		A100779C=2198484	
	ANGLES ±	WEIGHT			
	FINISH				
MATERIAL		Customer Drawing		SCALE	SHEET
				6:1	2 OF 4
					REV C

LOC		DIST		REVISIONS			
P	LTN	DESCRIPTION	DATE	DMN	APVD		
-	-	SEE SHEET 1	-	-	-		

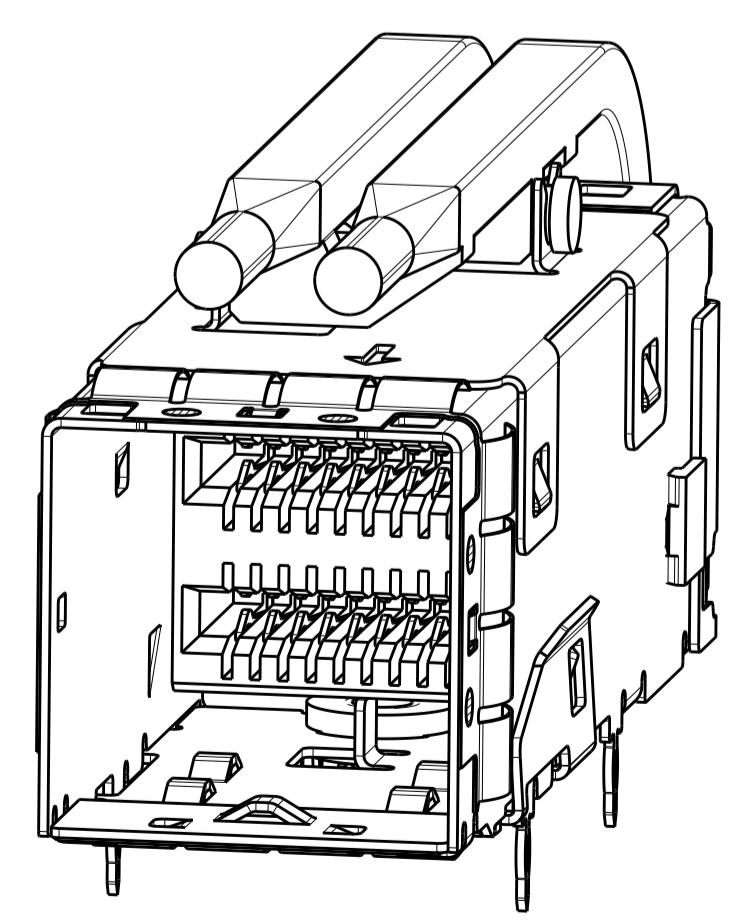
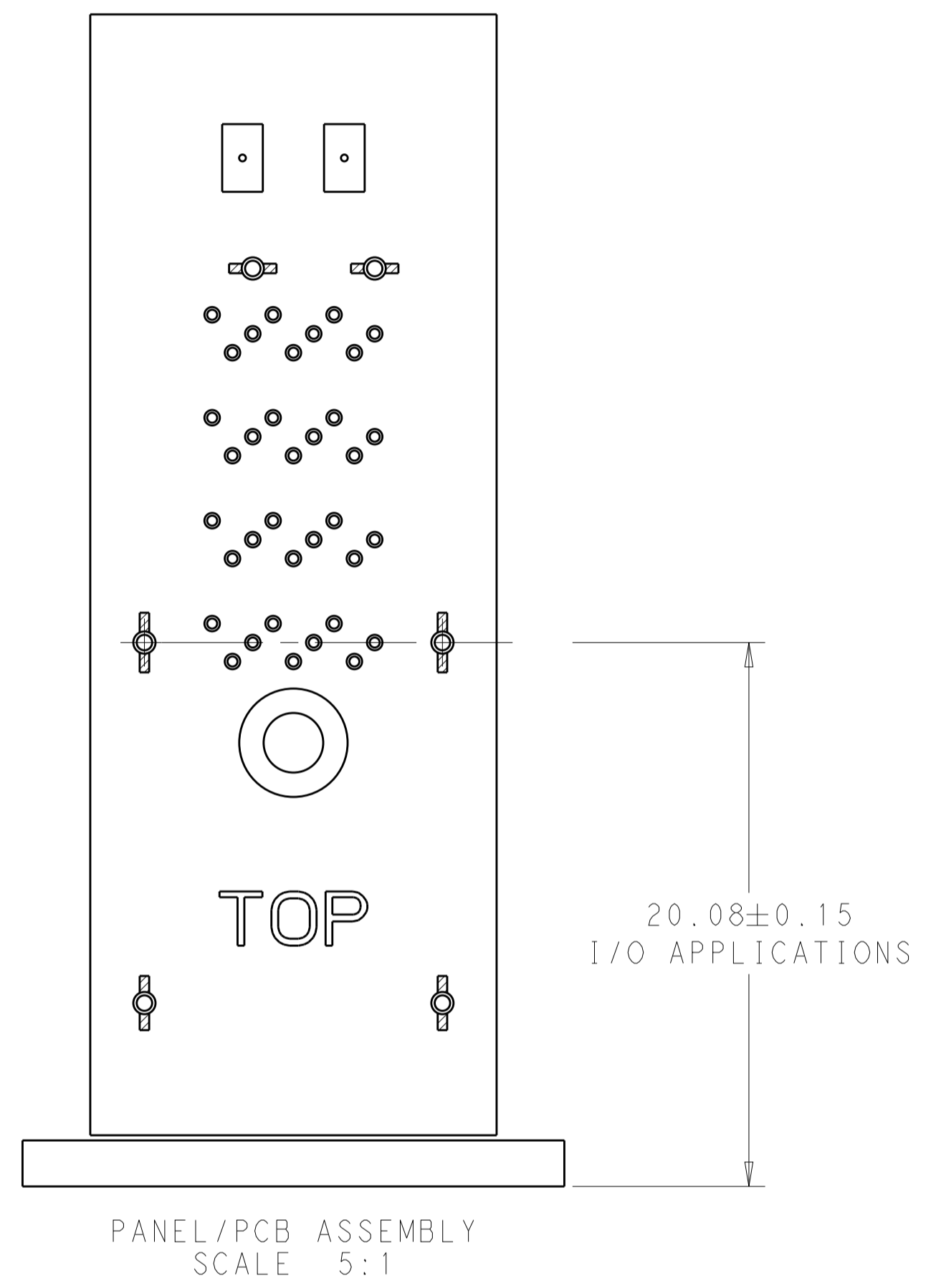
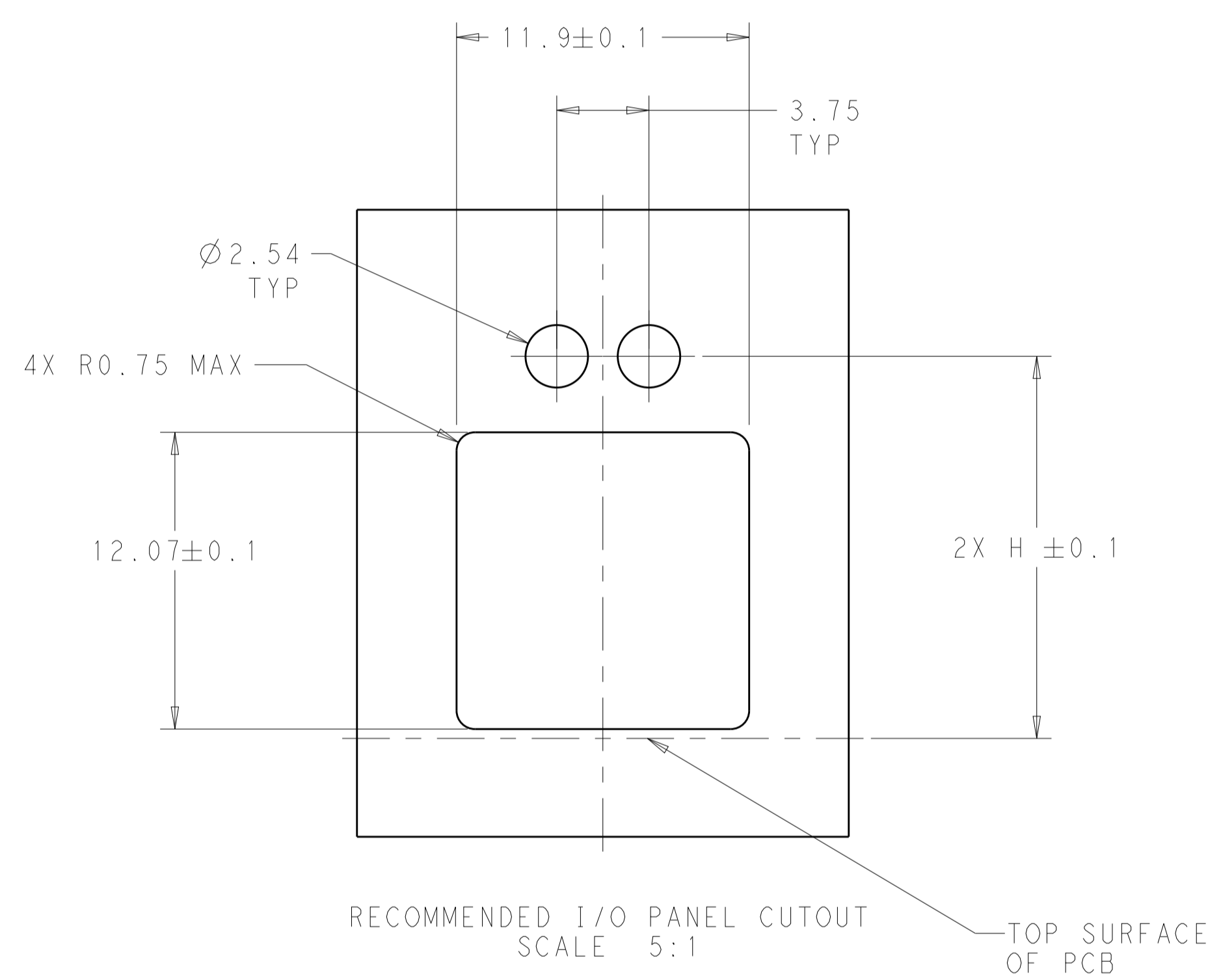


RECOMMENDED PCB LAYOUT



THIS DRAWING IS A CONTROLLED DOCUMENT.		DMN J. SECHRIST 15NOV2011	TE Connectivity RECEPTACLE ASSEMBLY, MINI-SAS HD, 1X W/ LIGHT PIPES
DIMENSIONS: mm		CHK J. SECHRIST 15NOV2011	
TOLERANCES UNLESS OTHERWISE SPECIFIED:		APVD -	NAME
0 PLC ±	1 PLC ±0.25	PRODUCT SPEC	108-2462
2 PLC ±0.13	3 PLC ±	APPLICATION SPEC	114-13316
4 PLC ±	ANGLES ±	WEIGHT	Customer Drawing
MATERIAL		FINISH	SCALE 6:1
			SHEET 3 OF 4
			REV C

LOC		DIST		REVISIONS			
P	LTN	DESCRIPTION	DATE	DWN	APVD		
-	-	SEE SHEET 1	-	-	-		



THIS DRAWING IS A CONTROLLED DOCUMENT.		DWN	J. SECHRIST	15NOV2011	TE Connectivity
		CHK	J. SECHRIST	15NOV2011	
DIMENSIONS:		TOLERANCES UNLESS OTHERWISE SPECIFIED:		NAME	
mm	0 PLC ±	PRODUCT SPEC		RECEPTACLE ASSEMBLY,	
	1 PLC ±0.25	108-2462		MINI-SAS HD, 1X	
	2 PLC ±0.13	APPLICATION SPEC		W/ LIGHT PIPES	
	3 PLC ±	114-13316		SIZE	CAGE CODE
	4 PLC ±	WEIGHT		A100779	C=2198484
	ANGLES ±	Customer Drawing		SCALE	6:1
MATERIAL	FINISH			SHEET	4 OF 4
				REV	C

Mouser Electronics

Authorized Distributor

Click to View Pricing, Inventory, Delivery & Lifecycle Information:

[TE Connectivity:](#)

[2198484-1](#)