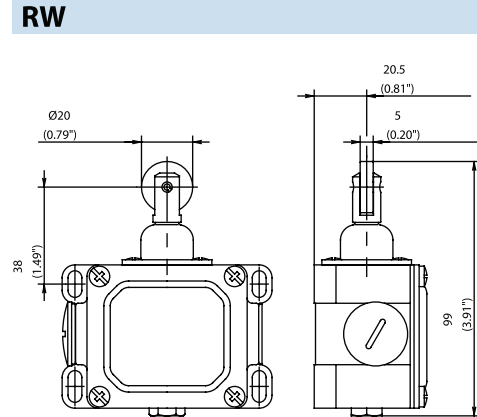
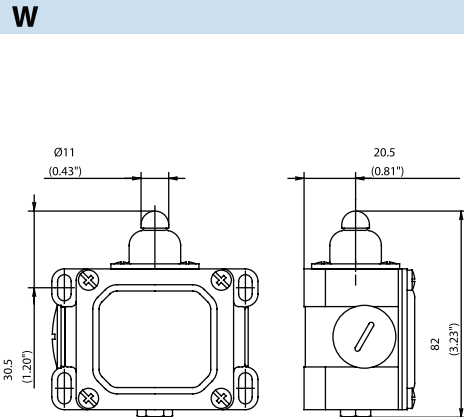
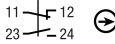
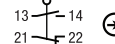
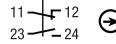
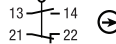
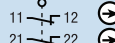
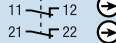
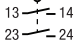
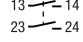
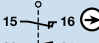
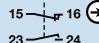


D Series



Switching Operation	Slow Action	Snap Action	Slow Action	Snap Action
1 NC / 1 NO Contacts	604.1103.002 D-U1 W 	604.1153.156 D-SU1 W 	604.1118.229 D-U1Z RW 	604.1168.162 D-SU1 RW 
2 NC Contacts	604.1803.090 D-A2 W 	-	604.1818.741 D-A2Z RW 	-
2 NO Contacts	604.1803.046 D-E2 W 	-	604.1818.052 D-E2 RW 	-
1 NC / 1 NO Contacts Overlapping	604.1303.134 D-UV1Z W 	-	604.1318.140 D-UV1Z RW 	-

Replacement actuator:

Technical Information

	Slow Action	Snap Action	Slow Action	Snap Action
Maximum Switching Voltage	240V	240V	240V	240V
Max. Switching Amps (up to)*	10A	10A	10A	10A
B10d (up to)*	20 Million	20 Million	20 Million	20 Million
Mechanical Service Life (up to)*	10 x 10 ⁶	10 x 10 ⁶	10 x 10 ⁶	10 x 10 ⁶
Switching Frequency	≤ 100/min	≤ 100/min	≤ 100/min	≤ 100/min
Operating Temperature	-30 °C to +80 °C	-30 °C to +80 °C	-30 °C to +80 °C	-30 °C to +80 °C
Protection Rating	IP65	IP65	IP65	IP65
Utilization Category (up to)*	AC-15, Ue/Ue 240V 3A	AC-15, Ue/Ue 240V 3A	AC-15, Ue/Ue 240V 3A	AC-15, Ue/Ue 240V 3A
Rate Insulation Voltage	400VAC	400VAC	400VAC	400VAC

Approvals

* Depending on switching system - see technical information for details



Special features/variants (on request)

- Also available with following contacts:
3 NC contacts (larger enclosure)
3 NO contacts (larger enclosure)
2 NC / 2 NO contact (larger enclosure)

Special features/variants (on request)

- Also available with following contacts:
3 NC contacts (larger enclosure)
3 NO contacts (larger enclosure)
2 NC / 2 NO contact (larger enclosure)

Drawing dimensions in mm

Mouser Electronics

Authorized Distributor

Click to View Pricing, Inventory, Delivery & Lifecycle Information:

[Altech:](#)

[604.1168.162](#) [604.1818.052](#) [604.1303.134](#) [604.1318.140](#) [604.1818.741](#) [604.1153.156](#) [604.1803.090](#)
[604.1103.002](#) [604.1118.229](#) [604.1803.046](#)