

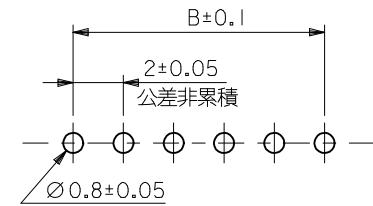
NOTE

- 1. 嵌合相手: 51382-\*\*\*\*
- △ 偶数極 (列) に適用。
- 3. キングは両外側の位置に付加。
- △ 製品番号 MATERIAL NO.

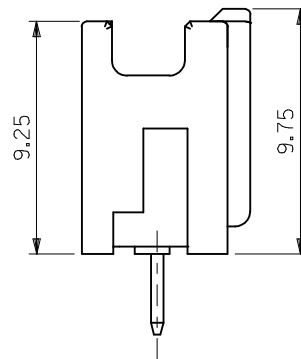
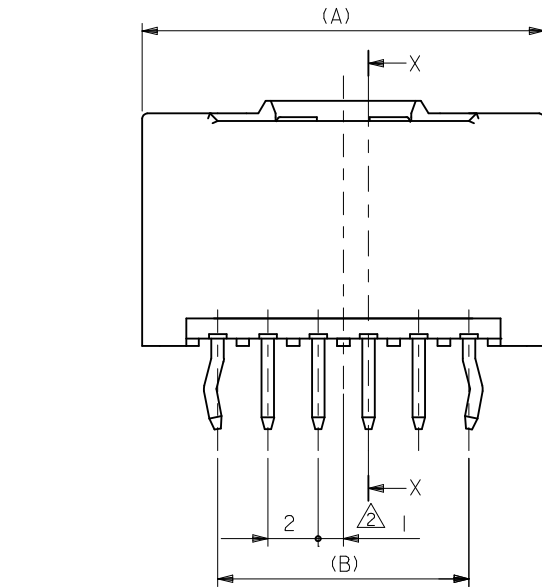
55932-\*\*\*\*

極数 CIRCUIT SIZE

- 5. 材質  
ピン : 黄銅  
ハウジング : PBT
- 6. めっき  
錫めっき  
下地 : ニッケルめっき



推奨基板寸法  
(t = 1.6)

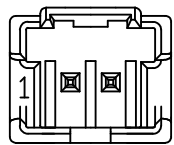
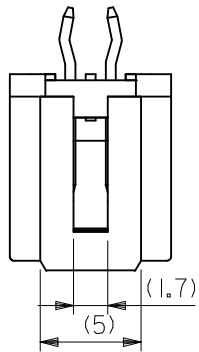


色 COLOR	
30	自然色 (白) NATURAL (WHITE)
31	黒 BLACK
32	赤 RED
33	黄 YELLOW
34	青 BLUE
35	桃 PINK
36	緑 GREEN
37	茶 BROWN
38	橙 ORANGE
39	紫 VIOLET
51	灰 GRAY
53	蛍光黄 FLUORESCENT YELLOW
54	水 PALE BLUE
55	蛍光桃 FLUORESCENT PINK
56	黄緑 YELLOWISH GREEN
58	蛍光橙 FLUORESCENT ORANGE

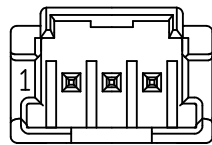
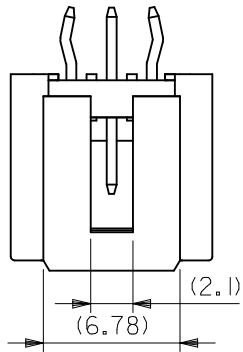
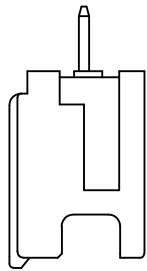
31	28	34	55932-15**	15
29	26	32	55932-14**	14
27	24	30	55932-13**	13
25	22	28	55932-12**	12
23	20	26	55932-11**	11
21	18	24	55932-10**	10
19	16	22	55932-09**	9
17	14	20	55932-08**	8
15	12	18	55932-07**	7
13	10	16	55932-06**	6
11	8	14	55932-05**	5
9	6	12	55932-04**	4
7	4	10	55932-03**	3
5	2	8	55932-02**	2
C	B	A	△ MATERIAL NO.	CKT.

MODEL NO. : 55932-\*\*\*\*  
DESIGN UNITS  
METRIC  
THIRD ANGLE PROJECTION

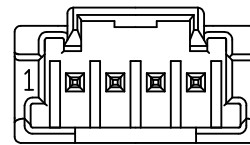
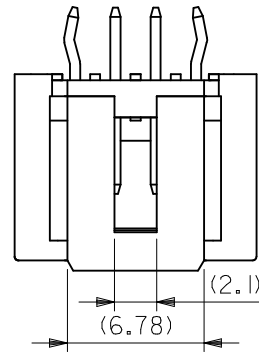
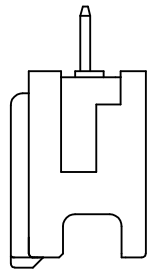
REVISED EC NO. : J2015-0937 DRWN:KMATSUJAWA 2015/10/05 CHK:DKASAKAWA 2015/10/05 APPR:NUKITA 2015/10/26	GENERAL TOLERANCES (UNLESS SPECIFIED)		DIMENSION STYLE MM ONLY		SCALE ---	DESIGN UNITS METRIC		THIRD ANGLE PROJECTION		
	0.25 UNDER	±0.03	DRAWN BY	DATE	TITLE					
	0.25 OVER 0.5 UNDER	±0.05	T. NIITSU	'02/02/08	2.0 W/B CONN. PLUG HOUSING ASS'Y ST -LEAD FREE-					
	0.5 OVER 1.0 UNDER	±0.1	CHECKED BY	DATE						
1.0 OVER 10 UNDER	±0.2	K. ASAKAWA	'03/06/12							
10 OVER 30 UNDER	±0.25	APPROVED BY	DATE	DOCUMENT NO.		SHEET NO.				
30 OVER	±0.3	T. YAMAGUCHI	'03/06/12	SD-55932-006		1 OF 2				
ANGULAR	±3 °	MATERIAL NO.		SEE CHART						
DRAFT WHERE APPLICABLE MUST REMAIN WITHIN DIMENSIONS			SIZE	THIS DRAWING CONTAINS INFORMATION THAT IS PROPRIETARY TO MOLEX INCORPORATED AND SHOULD NOT BE USED WITHOUT WRITTEN PERMISSION						



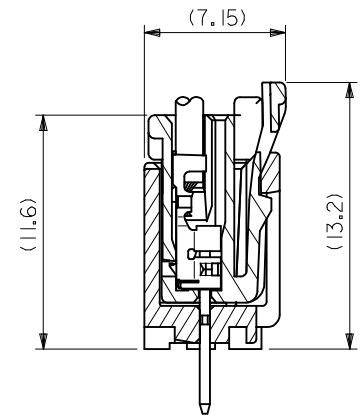
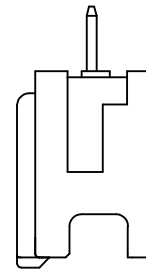
2 CIRCUIT



3 CIRCUIT

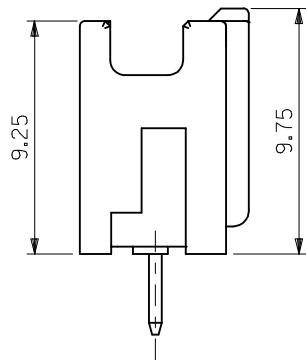
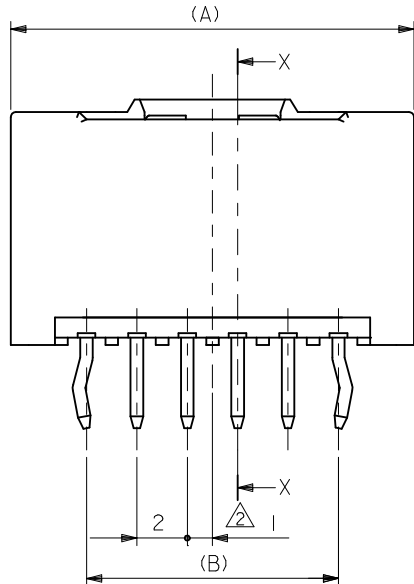
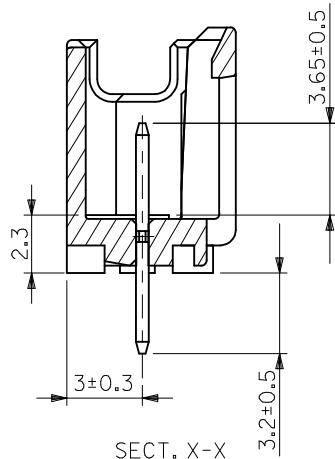
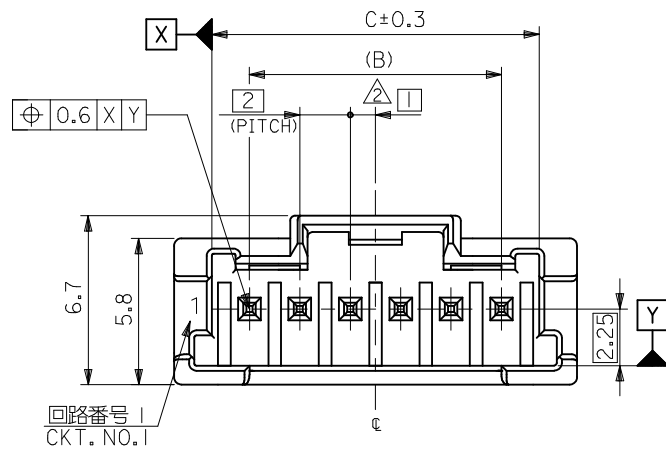


4 CIRCUIT



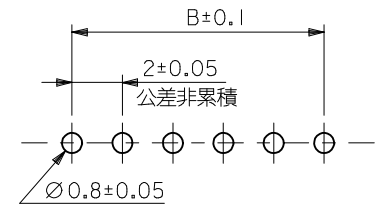
嵌合断面図

REVISED EC NO: J2015-0937 DRW:KMATSUYAMA 2015/10/05 CHK:D.KASAKAWA 2015/10/05 APPR:NUKITA 2015/10/26	GENERAL TOLERANCES (UNLESS SPECIFIED)		DIMENSION STYLE MM ONLY		SCALE ---	DESIGN UNITS METRIC	THIRD ANGLE PROJECTION
	0.25 UNDER	±0.03	DRAWN BY T.NIITSU	DATE '02/02/08	TITLE 2.0 W/B CONN. PLUG HOUSING ASS'Y ST -LEAD FREE-		
	0.25 OVER 0.5 UNDER	±0.05	CHECKED BY K.ASAKAWA	DATE '03/06/12			
	0.5 OVER 1.0 UNDER	±0.1	APPROVED BY T.YAMAGUCHI	DATE '03/06/12			
1.0 OVER 10 UNDER	±0.2	MATERIAL NO. SEE SHEET 1		DOCUMENT NO. SD-55932-006	SHEET NO. 2 OF 2		
10 OVER 30 UNDER	±0.25	THIS DRAWING CONTAINS INFORMATION THAT IS PROPRIETARY TO MOLEX INCORPORATED AND SHOULD NOT BE USED WITHOUT WRITTEN PERMISSION					
30 OVER	±0.3	DRAFT WHERE APPLICABLE MUST REMAIN WITHIN DIMENSIONS					
ANGULAR	±3 °						



NOTE

1. 嵌合相手 : 51382-\*\*\*\*
- △ 偶数極 (列) に適用。
3. キングは両外側の位置に付加。
4. ピン : 黄銅、ニッケル下地錫メッキ  
ハウジング : PBT
- △ 適合リテーナー : 500638シリーズ  
APPLICABLE RETAINER : 500638 SERIES.
- △ 製品番号 MATERIAL NO.



推奨基板寸法  
(t = 1.6)

55932-\*\*\*\*

極数 CIRCUIT SIZE

色 COLOR

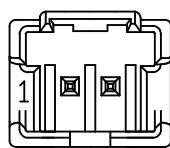
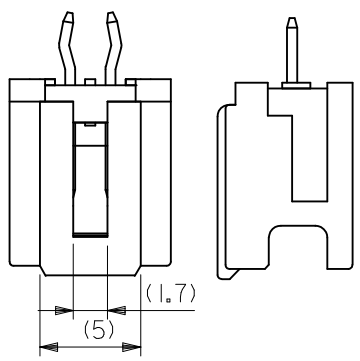
30	自然色 (白) NATURAL (WHITE)
31	黒 BLACK
32	赤 RED
33	黄 YELLOW
34	青 BLUE
35	桃 PINK
36	緑 GREEN
37	茶 BROWN
38	橙 ORANGE
39	紫 VIOLET
51	灰 GRAY
53	蛍光黄 FLUORESCENT YELLOW
54	水 PALE BLUE
55	蛍光桃 FLUORESCENT PINK
56	黄緑 YELLOWISH GREEN
58	蛍光橙 FLUORESCENT ORANGE

31	28	34	55932-15**	15
29	26	32	55932-14**	14
27	24	30	55932-13**	13
25	22	28	55932-12**	12
23	20	26	55932-11**	11
21	18	24	55932-10**	10
19	16	22	55932-09**	9
17	14	20	55932-08**	8
15	12	18	55932-07**	7
13	10	16	55932-06**	6
11	8	14	55932-05**	5
9	6	12	55932-04**	4
7	4	10	55932-03**	3
5	2	8	55932-02**	2

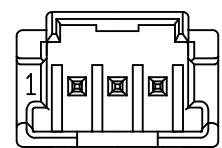
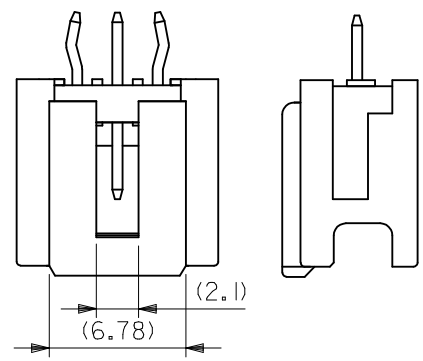
MODEL NO. : 55932-\*\*\*\*

△ MATERIAL NO. CKT.

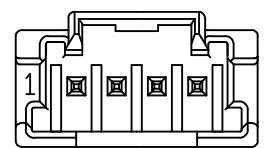
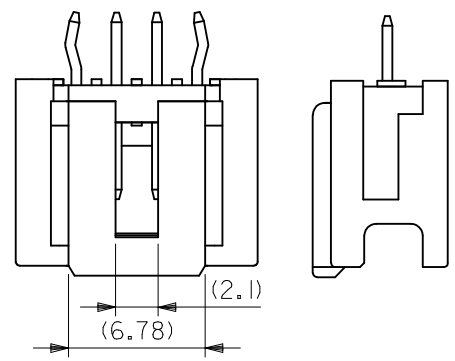
REVISED EC NO: J2016-0482 DRWN: TMIYABE 2015/10/15 CHKD: KASAKAWA 2015/11/10 APPR: NUKITA 2015/12/24	GENERAL TOLERANCES (UNLESS SPECIFIED)		DIMENSION STYLE		SCALE		DESIGN UNITS	
	0.25 UNDER UNDER ±0.03		MM ONLY		---		METRIC	
	0.25 OVER 0.5 UNDER ±0.05		DRAWN BY YMAEDA		DATE 2005/06/13		THIRD ANGLE PROJECTION	
	0.5 OVER 1.0 UNDER ±0.1		CHECKED BY MTANAKA		DATE 2005/06/13		2.0 W/B CONN.PLUG HOUSING ASS'Y W/O BOSS -LEAD FREE- <b>molex</b>	
	1.0 OVER 10 UNDER ±0.2		APPROVED BY NUKITA		DATE 2005/06/13			
30 OVER ±0.3		MATERIAL NO.		DOCUMENT NO.		SHEET NO.		
ANGULAR ±3 °		SEE CHART		SD-55932-007		1 OF 2		
DRAFT WHERE APPLICABLE MUST REMAIN WITHIN DIMENSIONS		SIZE A3		THIS DRAWING CONTAINS INFORMATION THAT IS PROPRIETARY TO MOLEX INCORPORATED AND SHOULD NOT BE USED WITHOUT WRITTEN PERMISSION				



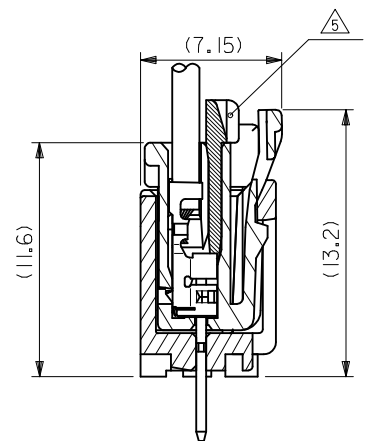
2 CIRCUIT



3 CIRCUIT



4 CIRCUIT



嵌合断面図

MODEL NO. : 55932-\*\*\*\*

REVISED EC NO: J2016-0482 DRWN: MIYABE 2015/10/13 CHKD: KASAKAWA 2015/11/10 APPR: NUKITA 2015/12/24	GENERAL TOLERANCES (UNLESS SPECIFIED)			DIMENSION STYLE MM ONLY		SCALE ---	DESIGN UNITS METRIC	THIRD ANGLE PROJECTION	
	0.25 UNDER	UNDER	±0.03	DRAWN BY	DATE	TITLE			
	0.25 OVER	0.5 UNDER	±0.05	YMAEDA	2005/06/13	2.0 W/B CONN.PLUG HOUSING ASS'Y W/O BOSS -LEAD FREE-			
	0.5 OVER	1.0 UNDER	±0.1	CHECKED BY	DATE				
	1.0 OVER	10 UNDER	±0.2	MTANAKA	2005/06/13				
	10 OVER	30 UNDER	±0.25	APPROVED BY	DATE				
30 OVER		±0.3	NUKITA	2005/06/13	MATERIAL NO.		DOCUMENT NO.		SHEET NO.
ANGULAR	±3 °		SEE SHEET 1		SD-55932-007		2 OF 2		
DRAFT WHERE APPLICABLE MUST REMAIN WITHIN DIMENSIONS				SIZE A3	THIS DRAWING CONTAINS INFORMATION THAT IS PROPRIETARY TO MOLEX INCORPORATED AND SHOULD NOT BE USED WITHOUT WRITTEN PERMISSION				